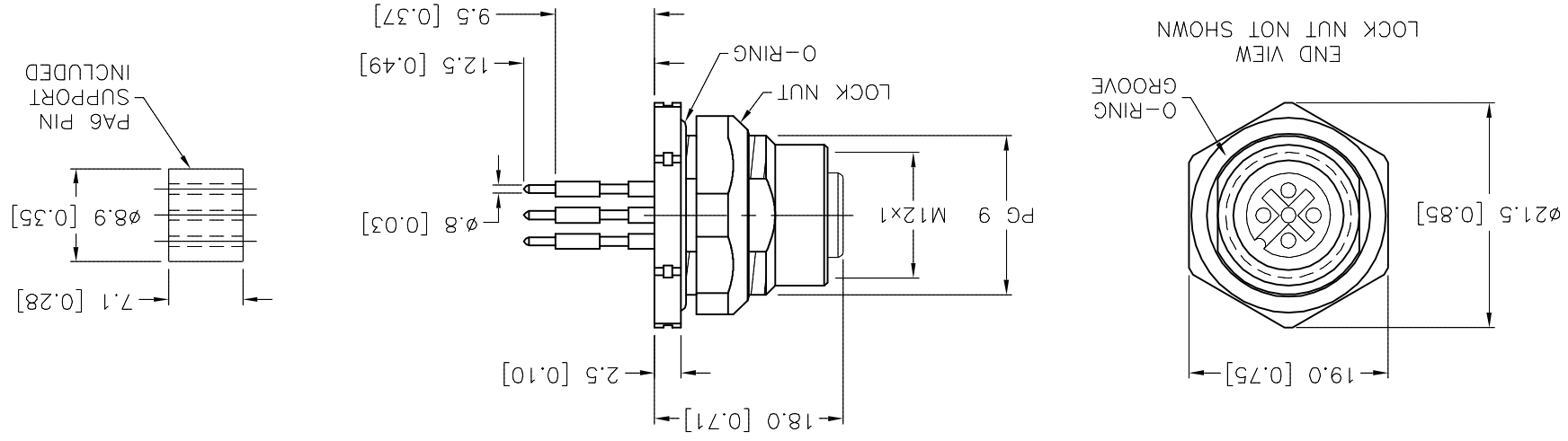


REV	DESCRIPTION	BY	DATE	ECO NO.
1	ADD O-RING MATERIAL	NF	07/21/15	50682
SEE SPECIFICATIONS FINISH SEE SPECIFICATIONS MATERIAL 1. 2. 3. 4.				
RELATED DOCUMENTS 3RD ANGLE PROJECTION THIS DRAWING IS CONFIDENTIAL AND THE PROPERTY OF TURCK INC. USE OF THIS DOCUMENT WITHOUT WRITTEN PERMISSION IS PROHIBITED.				
MILLIMETER [ INCH ] UNIT OF MEASUREMENT		ALL DIMENSIONS DISPLAYED ON THIS DRAWING ARE FOR REFERENCE ONLY		
CONTACT TURCK FOR MORE INFORMATION		DRAFT SWC DATE 09/05/95		
IDENTIFICATION NO. U4500 REV		DESCRIPTION FKFD 4.5 High Technology Sensors and Automation Controls <b>TURCK INC</b> 3000 CAMPUSS DRIVE MINNEAPOLIS, MN 55441 1-800-544-7769 (763) 553-7300 (763) 553-0708 fax turck.com		
FILE: U4500 DO NOT SCALE THIS DRAWING		SHEET 1 OF 1		

SOURCE DRAWING - FOR REFERENCE ONLY



CONTACT CARRIER MATERIAL NYLON OR TPU		TYPICAL PANEL CUTOUT 	BOARD LAYOUT 	FEMALE END VIEW 
CONTACT MATERIAL/PLATING BRASS/GOLD				
RATED CURRENT [A] 4.0 A		CONTACT CARRIER MATERIAL NYLON OR TPU		
RATED VOLTAGE [V] 250 V		CONTACT MATERIAL/PLATING BRASS/GOLD		
HOUSING/LOCKNUT MATERIAL BRASS/NICKEL		CONTACT MATERIAL/PLATING BRASS/GOLD		
O-RING MATERIAL NITRILE (BUNA-N)		CONTACT MATERIAL/PLATING BRASS/GOLD		
NUMBER OF CONDUCTORS [AWG] 5 PRINTED CIRCUIT PINS		CONTACT MATERIAL/PLATING BRASS/GOLD		
TEMPERATURE RATING -30°C to +80°C (-22°F to +176°F)		CONTACT MATERIAL/PLATING BRASS/GOLD		
PROTECTION CLASS MEETS NEMA 1,3,4,6P AND IEC IP68		CONTACT MATERIAL/PLATING BRASS/GOLD		
MAX. PANEL THICKNESS 3.0 [0.12]		CONTACT MATERIAL/PLATING BRASS/GOLD		

## X-ON Electronics

Largest Supplier of Electrical and Electronic Components

*Click to view similar products for [turck](#) manufacturer:*

Other Similar products are found below :

[BI10-M30-AP6X-H1141](#) [BI2-G12-AZ33X-7M](#) [BS4151-0/13.5](#) [NI12U-G18-ADZ30X2-B1331](#) [NI12U-M18-AN4X](#) [BI1.5-G08K-AN6X](#) [BI5-G18-AZ3X](#) [BI5-G18-AZ3X-B1331-50MM](#) [VB20](#) [B 5143-0](#) [BI 2-EG08K-AP6X-V1131](#) [BMWS 8151-0/9](#) [BI30U-CK40-AP6X2-H1141](#) [NI12U-M18-AP6X-H1141](#) [NI4U-EG08-AN6X-H1341](#) [NI5-G12-AP6X-H1141](#) [NI14-G18-ADZ30X2](#) [BC10-QF5.5-RN6X2](#) [PKG 3M-4/S90](#) [B1N360V-Q20L60-2LU3-H1151](#) [FKFD 4.5](#) [RK40-2M](#) [BI5-G18-AP6X-B1441/S34](#) [RK 4T-10](#) [BI4-M12-AN6X-H1141](#) [NI3-EG08K-Y1-H1341](#) [BCF5-S18-RP4X/S90](#) [BI5-M18-Y0X-H1141](#) [NI35U-CK40-ADZ30X2-B3131](#) [W/BS4](#) [WK 4T-2](#) [IM1-22EX-T](#) [NI12U-MT18-AP4X-H1141](#) [BI1.5-EG08-AP6X-H1341](#) [BC 5-Q08-AP6X2-V1131](#) [BC5-S18-Y1X](#) [CT 2-A30/M](#) [C10-T13X/024VDC](#) [FDN20-4S-4XSG-E](#) [FKV-CC](#) [FSFD 8](#) [NI4U-EG08-RP6X-V1131](#) [CMBS 8141-0](#) [FEN20-16DXP](#) [BI10-M30-AN6X-H1141](#) [VB80-P7X9-8/CS12](#) [FKFD 8](#) [RI360P0-QR24M0-INCRX2-H1181](#) [PKW 3M-6](#) [NI8-M18E-VN4X](#) [WK 4.5T-2/S618](#)