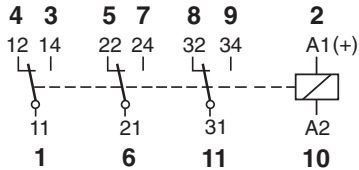


**Relay compatible with sockets:**

S3-B, S3-S, S3-MP, S3-MS, S3-L, S3-PO



# C3-A30



General purpose  
Three pole, change-over contacts

**10 A 250 V AC1      0.5 A 110 V DC1**  
**10 A 30 V DC1        0.5 A 220 V DC1**

### Contacts

Materials: Standard, code 0      AgNi  
Optional, code 8      AgNi + 10μ Au  
Optional, code 9      AgNi + 0.2μ Au

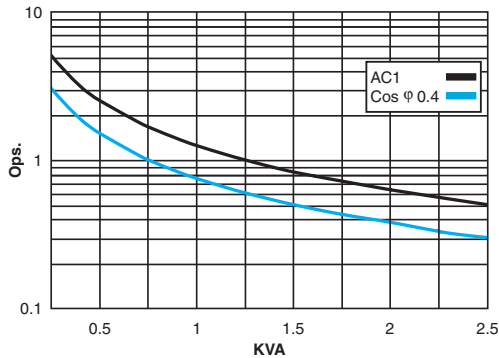
Max. switching current      10 A  
Max. peak inrush current (20 ms)      30 A  
Max. switching voltage      250 V  
Max. AC load (Table 1)      2.5 KVA  
Max. DC load (Table 2)

### Coils (Ohms ±10% @ 20°C)

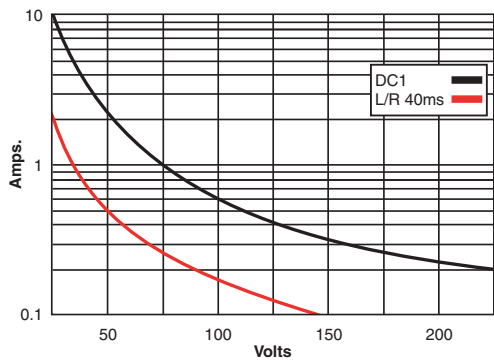
Pull-in voltage      ≤0.8 x U<sub>n</sub>  
Drop-out voltage      ≥0.1 x U<sub>n</sub>  
Nominal coil power      2.2 VA (AC)/1.3 W (DC)

VAC	Ω	mA	VDC	Ω	mA
24	67	92	24	433	54
48	296	46	48	1K8	27
115	1K7	19	110	9K2	12
230	7K1	9.5	220	36K1	6

**Table 1** Electrical Life, ops. x 10<sup>6</sup>



**Table 2** Max. DC Load



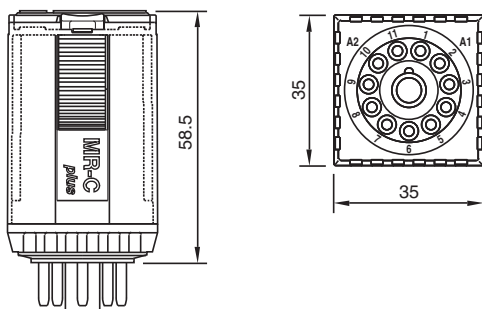
### Insulation

Dielectric strength (1 minute): Open contacts      1,000 V  
Between adjacent poles      2.5 KV  
Between contacts and coil      2.5 KV  
Isolation resistance at 500 V      ≥1 GΩ  
Isolation, IEC 61810-1:      2.5 KV/3

### Specifications

Operate time + bounce time      16 ms  
Release time + bounce time      8 ms  
Ambient temperature      -40°C (no ice) to +70°C  
Mechanical life ops.      10 Mill. AC, 20 Mill. DC relays  
Electrical life at nominal load      100,000 ops.  
Operating frequency at nominal load      1,200/hour  
Protection degree      IP 40/RT1  
Weight avg.      90 g

### Dimensions - mm



### Standard Types

**AC 50 Hz, (60 Hz): 24, 48, 115, (120), 230, (240)**  
X = LED (standard)      C3-A30X.....VAC  
RC suppressor      C3-A30R.....VAC

**DC 24, 48, 110, 220**  
X = LED, no polarity (standard)      C3-A30X..... VDC  
Free-wheeling diode      C3-A30DX .... VDC  
Polarity and free-wheeling diodes      C3-A30FX..... VDC  
AC/DC bridge rectifier (24, 48 or 60 V)      C3-A30BX .... VDC

## X-ON Electronics

Largest Supplier of Electrical and Electronic Components

*Click to view similar products for [turck](#) manufacturer:*

Other Similar products are found below :

[BI10-M30-AP6X-H1141](#) [BI2-G12-AZ33X-7M](#) [BS4151-0/13.5](#) [NI12U-G18-ADZ30X2-B1331](#) [NI12U-M18-AN4X](#) [BI1.5-G08K-AN6X](#) [BI5-G18-AZ3X](#) [BI5-G18-AZ3X-B1331-50MM](#) [VB20](#) [B 5143-0](#) [BI 2-EG08K-AP6X-V1131](#) [BMWS 8151-0/9](#) [BI30U-CK40-AP6X2-H1141](#) [NI12U-M18-AP6X-H1141](#) [NI4U-EG08-AN6X-H1341](#) [NI5-G12-AP6X-H1141](#) [NI14-G18-ADZ30X2](#) [BC10-QF5.5-RN6X2](#) [PKG 3M-4/S90](#) [B1N360V-Q20L60-2LU3-H1151](#) [FKFD 4.5](#) [RK40-2M](#) [BI5-G18-AP6X-B1441/S34](#) [RK 4T-10](#) [BI4-M12-AN6X-H1141](#) [NI3-EG08K-Y1-H1341](#) [BCF5-S18-RP4X/S90](#) [BI5-M18-Y0X-H1141](#) [NI35U-CK40-ADZ30X2-B3131](#) [W/BS4](#) [WK 4T-2](#) [IM1-22EX-T](#) [NI12U-MT18-AP4X-H1141](#) [BI1.5-EG08-AP6X-H1341](#) [BC 5-Q08-AP6X2-V1131](#) [BC5-S18-Y1X](#) [CT 2-A30/M](#) [C10-T13X/024VDC](#) [FDN20-4S-4XSG-E](#) [FKV-CC](#) [FSFD 8](#) [NI4U-EG08-RP6X-V1131](#) [CMBS 8141-0](#) [FEN20-16DXP](#) [BI10-M30-AN6X-H1141](#) [VB80-P7X9-8/CS12](#) [FKFD 8](#) [RI360P0-QR24M0-INCRX2-H1181](#) [PKW 3M-6](#) [NI8-M18E-VN4X](#) [WK 4.5T-2/S618](#)