



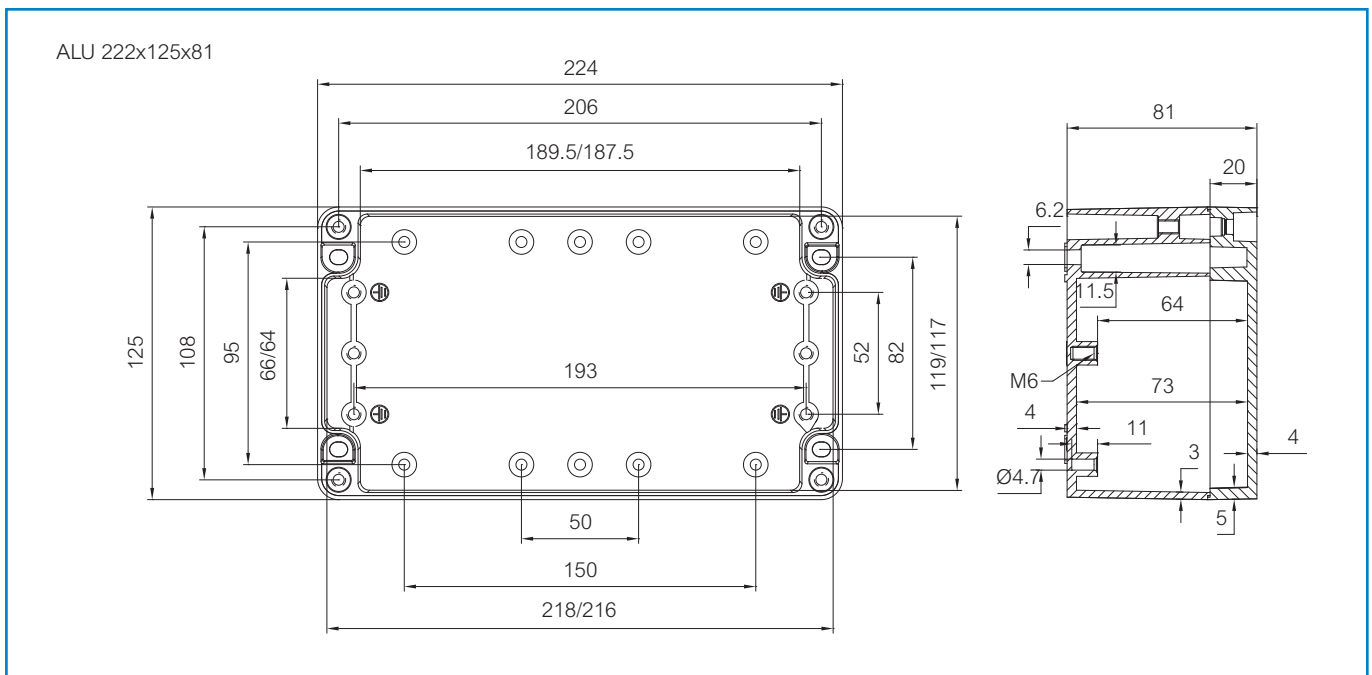
Sample photo

Order symbol: ALN 122208
Product nbr: 7811230
Description: Enclosure
Remarks: Aluminium

EAN: 6418074016119
EI. number:
 Finland: 3420049
 Electric No. 8212045693
 Denmark:
 Electric No. Sweden: 2536321

Including: Base with screws for mounting plate/DIN-rail, cover with PUR gasket and stainless steel cover screws.

Dimensions:				Accessories:	
Length	Width	Height			
mm:	222	125	81	ARH 22	DIN-35 Mounting rail
inch:	8.7	4.9	3.2	MR 75005	Selftapping taptite screw M5
Materials:				MRS 28541	Wall fastening lug (2 pcs)
Material:	Aluminium			PH A & AH A/B	Hinge set
Base colour:	RAL 7001			Rating:	
Cover screws material:	Stainless steel			Ingress Protection (EN 60529): IP66/IP67/IP68	
Cover colour:	RAL 7001			Impact Resistance (EN 62262): IK08	
Gasket material:	Polyurethane			NEMA Class: NEMA 1, 4, 4X, 12, 13	
Temperatures:				Certificates:	
Temperature °C (short term):	-50 ... 140 °C			Underwriters Laboratories	
Temperature °C (continuous):	-50 ... 80 °C			SGS Fimko	
Temperature °F (short term):	-60 ... 285 °F				
Temperature °F (continuous):	-60 ... 175 °F				
Accessories:					
AM 1222	Mounting plate				



X-ON Electronics

Largest Supplier of Electrical and Electronic Components

Click to view similar products for [fibox](#) manufacturer:

Other Similar products are found below :

[MPS ARCA 5040](#) [PCM 175/75 T 9822001](#) [ABQ3 364015](#) [ABS 150/100 HG ARH 2328](#) [EKMVT](#) [CAB ABSQ 302017G](#) [CAB PC 303018 G3B](#) [CAB PCQ 404017 T 9822003](#) [PCT 081206](#) [CAB ABS 302018 G](#) [CAB PC 303018 T3B](#) [CAB PC 604022 T](#) [CAB PCQ 303017 T](#) [CAB PCQ 404017 G](#) [PC 5628 13 T](#) [TAM 090706 MC](#) [ARCA 406021](#) [MP 6040](#) [ARCA 405021](#) [ARCA 604021](#) [ARCA 806030](#) [5330360](#) [EKOE 130 G](#) [2539543](#) [DRS ARCA 403015](#) [DRS ARCA 304021](#) [DRS ARCA 203015](#) [PC 100/125 HG](#) [PC 100/75 HT](#) [PC 300/150 ZG](#) [PCM 175/150 G](#) [PCM 125/100 G](#) [PC 125/125 HG](#) [ABS D 65 G](#) [CAB PC 302018 G](#) [9822015](#) [CAB ABSQ 403017 G](#) [CAB PC 302018 G3B](#) [7094220](#) [7094450](#) [PC 1919 13 T-2FSH](#) [PC 200/150 HT](#) [PCM 175/100 T](#) [PCT 121210](#) [9821007](#) [EKPE 130 G ENCLOSURE](#) [ABS C 85 G](#)