



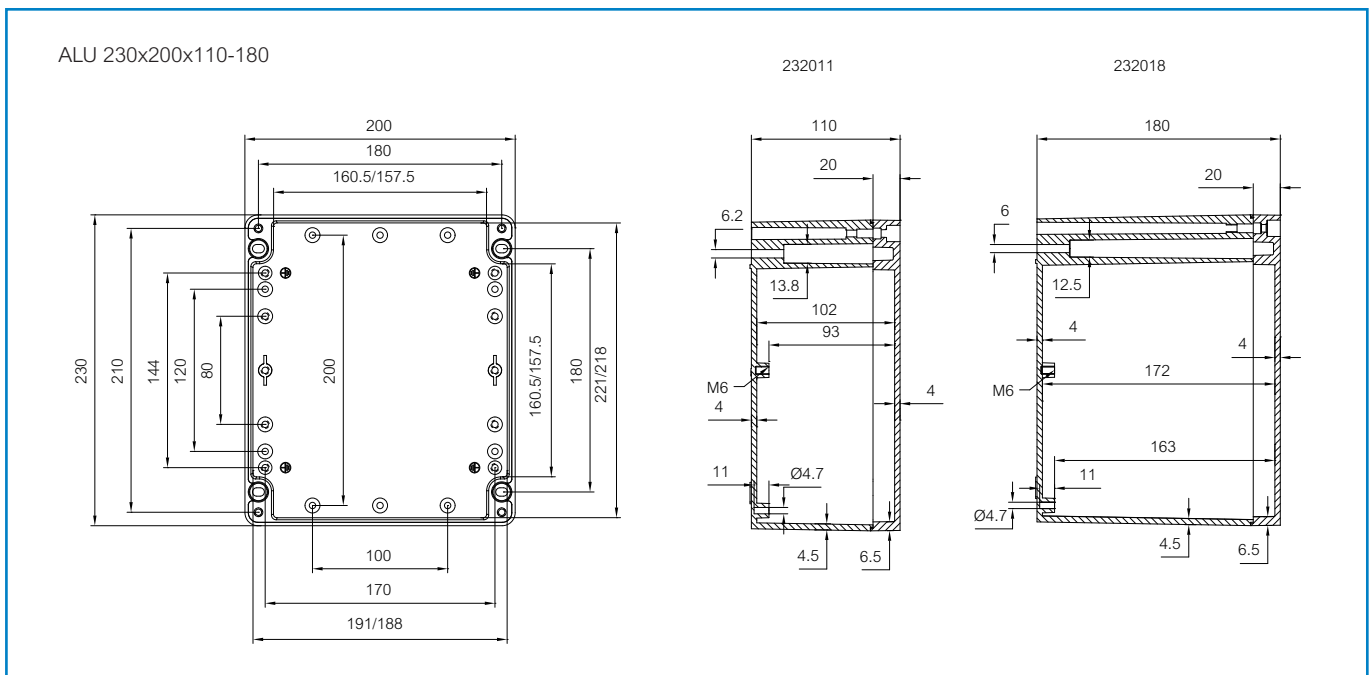
Sample photo

**Order symbol:** ALN 232011  
**Product nbr:** 7811350  
**Description:** Enclosure  
**Remarks:** Aluminium

**EAN:** 6418074016164  
**EI. number:**  
**Finland:** 3420035  
**Electric No. Sweden:** 2536333

Including: Base with screws for mounting plate/DIN-rail, cover with PUR gasket and stainless steel cover screws.

| Dimensions:                         |                 |       |        | Accessories:                                  |                            |
|-------------------------------------|-----------------|-------|--------|---|----------------------------|
|                                     | Length          | Width | Height |   |                            |
| <b>mm:</b>                          | 230             | 200   | 110    | ARH 2320                                      | DIN-35 Mounting rail       |
| <b>inch:</b>                        | 9.1             | 7.9   | 4.3    | MRS 28541                                     | Wall fastening lug (2 pcs) |
|                                     |                 |       |        | PH A & AH A/B                                 | Hinge set                  |
| Materials:                          |                 |       |        | Rating:                                       |                            |
| <b>Material:</b>                    | Aluminium       |       |        | Ingress Protection (EN 60529): IP66/IP67/IP68 |                            |
| <b>Base colour:</b>                 | RAL 7001        |       |        | Impact Resistance (EN 62262): IK08            |                            |
| <b>Cover screws material:</b>       | Stainless steel |       |        | NEMA Class: NEMA 1, 4, 4X, 12, 13             |                            |
| <b>Cover colour:</b>                | RAL 7001        |       |        |   |                            |
| Temperatures:                       |                 |       |        |   |                            |
| <b>Temperature °C (short term):</b> | -50 ... 140 °C  |       |        |   |                            |
| <b>Temperature °C (continuous):</b> | -50 ... 80 °C   |       |        |   |                            |
| <b>Temperature °F (short term):</b> | -60 ... 285 °F  |       |        |   |                            |
| <b>Temperature °F (continuous):</b> | -60 ... 175 °F  |       |        |   |                            |
| Accessories:                        |                 |       |        |   |                            |
| AM 2320                             | Mounting plate  |       |        |   |                            |



## X-ON Electronics

Largest Supplier of Electrical and Electronic Components

*Click to view similar products for [fibox](#) manufacturer:*

Other Similar products are found below :

[MPS ARCA 5040](#) [PCM 175/75 T 9822001](#) [ABQ3 364015](#) [ABS 150/100 HG ARH 2328](#) [EKMVT](#) [CAB ABSQ 302017G](#) [CAB PC 303018 G3B](#) [CAB PCQ 404017 T 9822003](#) [PCT 081206](#) [CAB ABS 302018 G](#) [CAB PC 303018 T3B](#) [CAB PC 604022 T](#) [CAB PCQ 303017 T](#) [CAB PCQ 404017 G](#) [PC 5628 13 T](#) [TAM 090706 MC](#) [ARCA 406021](#) [MP 6040](#) [ARCA 405021](#) [ARCA 604021](#) [ARCA 806030](#) [5330360](#) [EKOE 130 G](#) [2539543](#) [DRS ARCA 403015](#) [DRS ARCA 304021](#) [DRS ARCA 203015](#) [PC 100/125 HG](#) [PC 100/75 HT](#) [PC 300/150 ZG](#) [PCM 175/150 G](#) [PCM 125/100 G](#) [PC 125/125 HG](#) [ABS D 65 G](#) [CAB PC 302018 G](#) [9822015](#) [CAB ABSQ 403017 G](#) [CAB PC 302018 G3B](#) [7094220](#) [7094450](#) [PC 1919 13 T-2FSH](#) [PC 200/150 HT](#) [PCM 175/100 T](#) [PCT 121210](#) [9821007](#) [EKPE 130 G ENCLOSURE](#) [ABS C 85 G](#)