



Extend your system

Depending on your application or user requirement there are a number of additions you can make to extend your remote control system.

Additional transmitters:

Our range of FOBBER key fob transmitters are available in various button options, from a single button to 8 buttons.



Customise Your Key Fob

It is easy to make the system your own by having a custom sticker on the key fob.

From as little as £2.00 extra per key fob (MOQ and design complexity dependent) you can have a custom key fob.



Quick Start Guide

What's in the box?



1 x Transmitter



1 x Receiver with
Additional Cable Feed



HORNETPRO
Remote Control
System Quick

For full details of HORNETPRO's programmable features, see the 'HORNETPRO Remote Control Systems datasheet' at www.rfsolutions.co.uk





Getting Set Up

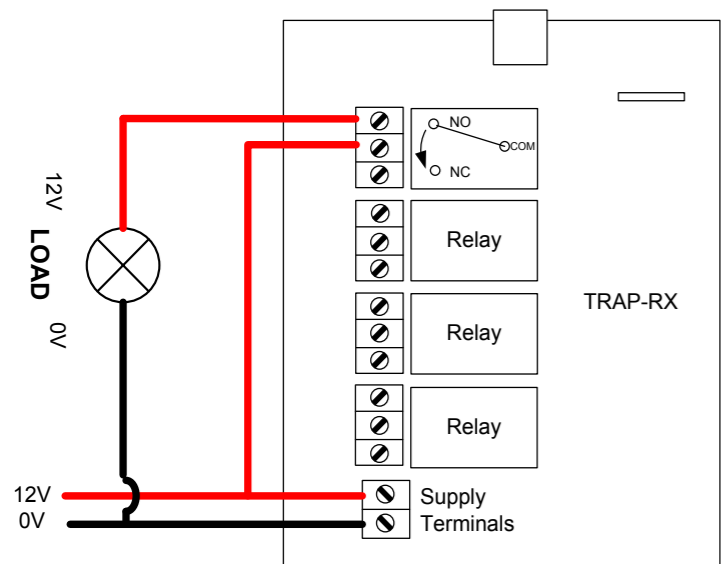
NOTE: Installation should be carried out by a qualified technician



1. **Unscrew the 2 screws at the base.**
2. **Remove base panel.**
3. **Unscrew the antenna at top of enclosure.**
4. **Lightly pull the PCB inside to remove.**

Below is a simple example showing one possible way to wire a relay in order to give switched power to an external load:

When the relay is energised the 'COM' connects to 'NO' and power is applied to the Load.



1. Open the enclosure by removing fixing screws from the enclosure and slide out the circuit board.
2. Connect the power supply screw terminals 12-32V ac or dc to the supply terminals.
3. Wire your desired connections to the relay switches
4. Once all required wiring is complete, use the handheld TRAP transmitter to switch the outputs on and off.
5. As supplied, the handheld will operate the outputs - button 1 to output 1, button 2 to output 2 etc.
6. Change the output functions to latching/momentary operation..

NOTE: For full installation instructions and product specification, please see the HORNETPRO Datasheet at www.rfsolutions.co.uk.



Advanced operation - Pairing a transmitter button

NOTE: Systems come pre-paired. Pairing instructions will only need to be followed for additional transmitters.

With this system, you can pair together any individual transmitter switch with any receiver relay switch. Without opening either enclosure...

1. Briefly (for less than 1 second) place a magnet next to the top left of the receiver in the position shown and then remove it.
2. The receiver will buzz **once** (One buzz means the receiver unit is ready to allocate a transmitter to relay switch 1).
3. Press the switch on the transmitter which you wish to pair.
4. The receiver will buzz twice to confirm pairing.
5. Repeat for any additional transmitter switches.

NOTE: Each receiver has a maximum memory for up to 28 pairings, these can be from any switches on any transmitters!

Advanced Note: To select relay switches 2-4, repeat step 3 and count the number of buzzes. 2 buzzes for relay 2 3 for 3 etc.



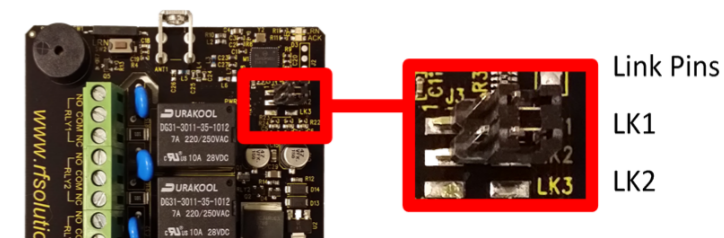
Advanced operation - Momentary and Latching Settings

It is possible to set the relay switches on the receiver to either momentary or latching operation.

1/2 sec Mom = Relay will operate for 1/2 sec

Mom = Relay will operate for as long as transmitter switch operated

Latch = Relay will toggle ON/OFF on each transmitter button press



Link Positions		Switch relays			
LK1	LK2	RLY 1	RLY 2	RLY 3	RLY 4
Open	Open	1/2 sec Mom	1/2 sec Mom	1/2 sec Mom	1/2 sec Mom
Closed	Open	Mom	Mom	Latch	Latch
Open	Closed	Mom	Mom	Mom	Mom
Closed	Closed	Latch	Latch	Latch	Latch

NOTE: If link setting is changed, power cycle the receiver (turn off/on) otherwise it will stay in the same mode it was previously set in.

X-ON Electronics

Largest Supplier of Electrical and Electronic Components

Click to view similar products for [rf solutions manufacturer](#):

Other Similar products are found below :

[FOBBER-8T2](#) [ZULU-868](#) [ANT-PCB4520-FL](#) [GAMMA-868-SO](#) [DB5XA](#) [ZULUEVAL-M](#) [DELTA-TRX8C1](#) [LAMBDA62C-9D](#)
[LAMBDA80-24D](#) [ADP-SMAM-NF](#) [ADP-SMAFRP-SMAF](#) [GAMMA-868R-SO](#) [GAMMA-868R](#) [KAPPAM-ARD](#) [ICEPIC](#) [FLEXI-SMA-868](#)
[FM-RTFQ2-433P](#) [DB756](#) [KAPPA-R868-SO](#) [ZETA-ARD-868](#) [ZULUEVAL-DONGLE](#) [ZETAPLUS-915-D](#) [TRAP-T1](#) [ANT-GROD8-NSMA](#)
[ZPT-4RS](#) [HORNET200-TX1](#) [EZTEXT](#) [ICEPIC3-US](#) [I3-TRACER1](#) [ZULU-M-ARDUINO](#) [GAMMA-915R](#) [ANT-GSMSTUB4](#) [RFM68W-](#)
[433-S2](#) [KAPPAT-ARD](#) [I3DBF77](#) [ALPHA-TRX433S](#) [ZETAPLUS-915-SO](#) [ANT-24G-DPL-SMA](#) [FOBLOQF-4S2](#) [ADP-SMAM-2SMAF](#)
[CBA-SMAF-OP](#) [ANT-MCLING3-N](#) [RF600E](#) [HORNETPRO-8S3](#) [ZETA-868-SO](#) [CF-WU710NV2](#) [BRAVO-ARD](#) [LAMBDA62-8D](#) [110C2-](#)
[433A](#) [ZULU2-M868-SO](#)