

# INDUSTRIAL - ENVIRONMENTALLY SEALED SWITCHES

Series - 8510, 8511, 8512

Environmentally Sealed Toggle Switches

## FEATURES

- Completely sealed against dust, moisture, and other contaminants
- 1, 2 and 4 pole circuitry
- One hole mounting for easy installation
- Multi-circuits offered
- 2 & 3 position with maintained and momentary action
- Molded-in terminal inserts
- Molded-in terminal numbers
- See 8520-8528 for UL recognized and CSA certified version on page 5
- Water tight seal per MIL-STD-108E and designed to meet IP68
- Thermoset molding materials meet flame retardant requirements
- Temperature Range: -50°F to +150°F (-46°C to +66°C)
- Life: 20,000 operations at rated load
- Bushing: 15/32" - 32 thread

## CURRENT RATINGS

No. of Poles	Catalog Number	Type of Operation	28VDC			115 VAC 60 or 400Hz		
			Lamp Load	Resistive Load	Inductive Load	Lamp Load	Resistive Load	Inductive Load
1	8510	Maintained	5	20	15	3	15	10
		Momentary	4	15	10	2	15	7
2	8511	Maintained	7	20	15	4	15	15
		Momentary	5	18	10	2	11	8
4	8512	Maintained	5	20	12	4	15	15
		Momentary	4	18	10	2	11	8

## SELECTION TABLE

## FLUSH TERMINAL SCREWS



8510



8511



8512

## CIRCUIT WITH LEVER IN . . .

## ONE POLE

## TWO POLE

## FOUR POLE

Up Position	Center Position	Down Position (Keyway)	Catalog Number	Catalog Number	Catalog Number
			8510K1	8511K1	8512K1
ON	OFF	ON	K9	K9	K9
ON	NONE	OFF	K4	K4	K4
ON	NONE	ON	K6	K6	K6
ON	OFF	NONE	8510K5	8511K5	8512K5
* ON	NONE	ON*	K2	K2	K2
NONE	OFF	ON*	K7	K7	K7
ON	NONE	OFF*	K10	K10	K10
OFF	NONE	ON*	K11	K11	K11
ON	OFF	ON*	8510K3	8511K3	8512K3
* ON	ON	NONE	K12	K12	K12
ON	ON	NONE	K13	K13	K13
ON	ON	ON	—	8511K14	8512K15
ON	ON	ON*	—	K15	K16
* ON	ON	ON*	—	K16	K17
ON	ON	ON	—	8511K17	—
ON	ON	ON*	—	K18	—
* ON	ON	ON*	—	K19	—
ON	ON/OFF	ON	—	—	8512K20

\* Momentary contact.

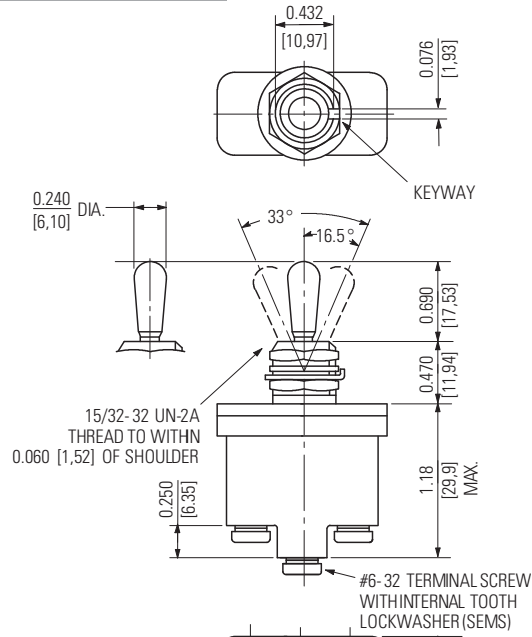
See Page A71 for circuit diagrams.

# INDUSTRIAL - ENVIRONMENTALLY SEALED SWITCHES

## Environmentally Sealed Toggle Switches

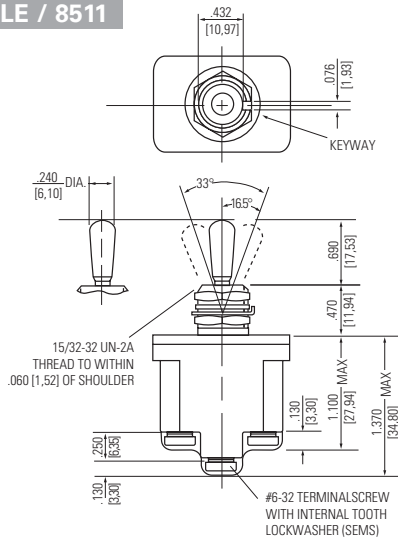
Series - 8510, 8511, 8512

### MOUNTING DIMENSIONS - ONE POLE / 8510



**Terminal Identification**

### MOUNTING DIMENSIONS - TWO POLE / 8511



**Terminal Identification**

**STANDARD**  
0.00 = inches  
[0,0] = mm

Mounting dimensions for reference only.

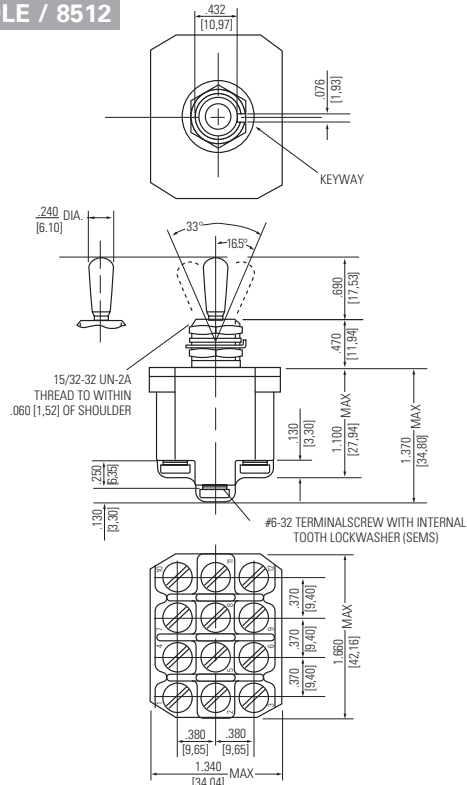
Non-functional terminals not supplied.

# INDUSTRIAL - ENVIRONMENTALLY SEALED SWITCHES

Series - 8510, 8511, 8512

Environmentally Sealed Toggle Switches

## MOUNTING DIMENSIONS - FOUR POLE / 8512



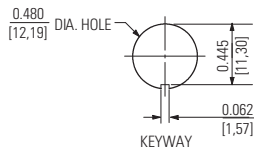
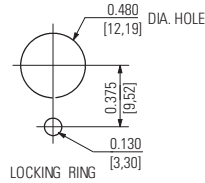
### Terminal Identification

## OPTIONS/ACCESSORIES

- Special mounting hardware
- Mounting hardware furnished assembled
- Terminal screws furnished assembled
- Special toggle levers
- Special circuits
- Panel seal, Part Number 32-341
- Spade terminal adapters available

## PANEL CUTOUT DIMENSIONS

### 15/32 DIA. BUSHING



### STANDARD

0.00 = inches

[0,0] = mm

Mounting dimensions for reference only.

Non-functional terminals not supplied.

## **X-ON Electronics**

Largest Supplier of Electrical and Electronic Components

*Click to view similar products for [safran electrical and power manufacturer](#):*

Other Similar products are found below :

[8510K10](#) [8504K7](#) [8531K33](#) [8537K94D](#) [8502K5](#) [8531K3](#) [8502K4](#) [8537K314A](#) [8501K5](#) [8531K39](#) [8502K1](#) [8502K9](#) [8502K2](#) [8511K3](#)  
[8531K316](#) [8510K9](#) [8530K5](#) [8530K3](#) [8500K4](#) [8501K11](#) [8501K1](#) [8501K9](#) [8500K11](#) [8497K11](#) [8500K1](#) [8501K4](#) [8531K2](#) [8501K3](#) [8498K6](#)  
[8492K1](#) [8497K3](#) [8501K2](#)