

# AT&T IoT Starter Kit 2nd generation



## KIT DESCRIPTION

AT&T IoT Starter Kit (2nd Generation) provides an innovative new System-on-Module IoT solution, enabling the design of cellular connected edge devices, certified for operation in the United States. Powered by AT&T IoT services available through Avnet, this kit provides a complete development environment for sensor-to-cloud applications and services.

Designed to be used for both prototyping and production, the slim form-factor LTE system board is fully compliant with FCC, PTCRB, and AT&T network certifications, thereby reducing development risk and speeding IoT deployments. The Starter Kit features a small (79.5 mm x 30 mm) development board built around Wistron NeWeb Corporation (WNC) M18Q2FG-1 LTE Cat-4 modem module. The M18Q2FG-1 module provides cellular modem functionality plus user application code support via a dedicated Arm® Cortex™-A7 processor, thus eliminating the need for an external host processor. A rich set of embedded system peripherals, controllable through the user's application code, are easily accessible through a 60-pin expansion connector or a 2x6 peripheral module header. This enables easy system customization with application specific sensors and I/O interfaces through the addition of user created or off-the-shelf plug-in boards. The development board also includes an ambient light sensor, temperature sensor, and 3-axis accelerometer for out-of-box demonstration examples.

User application code runs directly on the M18Q2FG-1 module, leveraging the OpenEmbedded software framework for Linux application development. A Software Development Kit (SDK) specific to the M18Q2FG-1 module provides the necessary API calls to access hardware peripherals and system resources. Application code built with the SDK is loaded into the M18Q2FG-1 module through a USB interface on the development board, eliminating the need for external proprietary JTAG cables.

AT&T services facilitate Cloud based application development and deployment: M2X - a cloud-based, fully managed IoT device management and time-series data storage service for network connected devices, and Flow Designer - a visual IoT application development and data orchestration environment, with run-time support for complex nonstandard protocol translation, data processing and integrations, to help developers create IoT applications fast.

## FEATURE LIST

### Development Board

- North America SoC Module (M18Q2FG-1)
- Ambient Light Sensor
- Temperature Sensor
- 3-Axis Accelerometer
- USB Interface
- 60-pin Expansion Connector (1.8V levels)
- 2x6 Peripheral Module Connector (3.3V levels)
- Power Regulation

### Pulse Electronics LTE+GNSS and LTE Antenna

- 2G/3G/4G MIMO
- GNSS (GPS, Glonass)
- Two piece, three antenna FPC assembly
- Foldable

### WNC M18Q2FG-1 North America Module

- Global Band Support
- Cat-4 LTE
- 2G/3G Fallback
- GNSS (GPS and GLONASS)
- Based on Qualcomm MDM9207
- Arm Cortex-A7 Quad Core
- Single A7 Core is Dedicated to User Application
- Rich Peripheral Features



## KIT INCLUDES

- LTE Development Board
- LTE and LTE+GNSS Antennas
- SIM Card
- USB Cable
- Power Supply (AC to 5V DC)

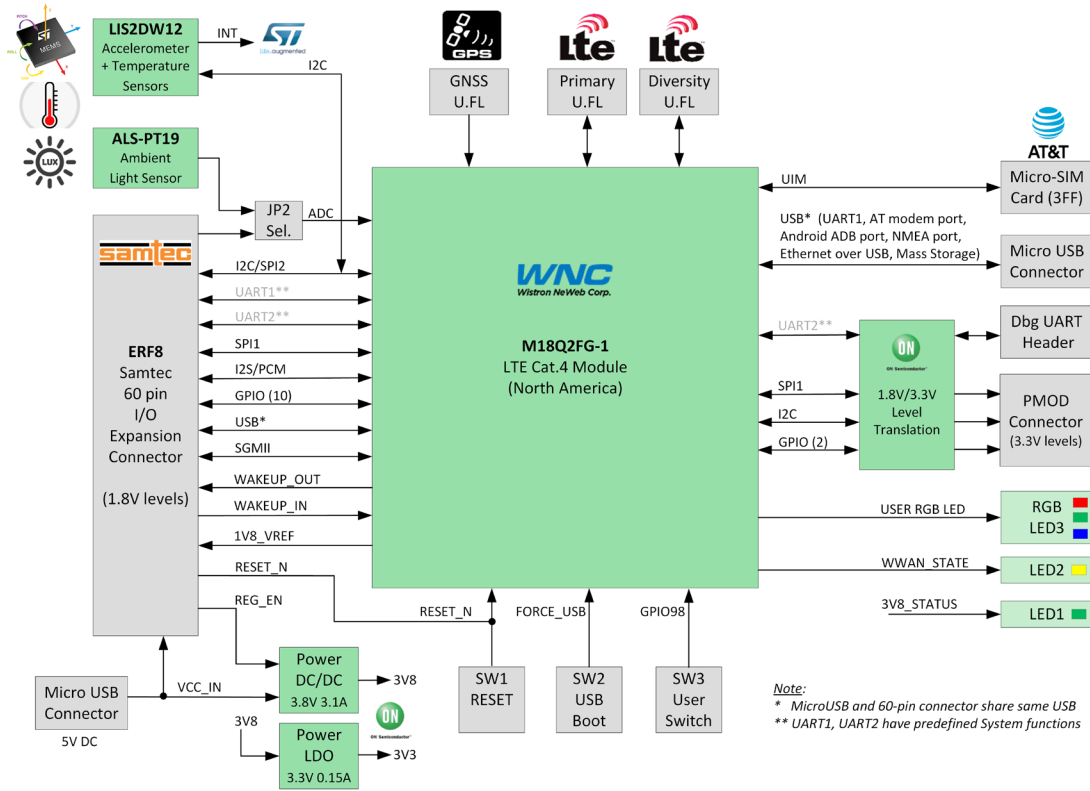
## TARGET APPLICATIONS

- Cellular IoT Devices
- Remote Access
- Smart City
- Smart Agriculture
- Asset Tracking
- Building Automation
- Factory Automation

To purchase this kit, visit

<http://cloudconnectkits.org/product/lte-starter-kit-2>

## BLOCK DIAGRAM



## FEATURED SUPPLIERS



**molex**



**Pulse Electronics**

**samtec**



**WNC**

## PARTS

Part Number	Description
AES-ATT-M18Q2FG-SK-G	AT&T IoT Starter Kit (2nd Generation)

## RELATED PARTS

Part Number	Description
AES-ATT-M18Q2FG-M1-G	North America LTE M18Q2FG-1 Production Board (M1)
AES-ATT-M18Q-CAR-G	LTE IoT Breakout Carrier (Click Module expansion board for system-level prototyping)
W3906B0100	LTE + GNSS Antenna (certified)
W3907B0100	LTE Antenna (certified)
W6113B0100	LTE+GNSS MIMO Combo Antenna
ASP-197278-01	Samtec ERM8 Series Matching Connector (7mm mated connector height)
ASP-197278-02	Samtec ERM8 Series Matching Connector (10mm mated connector height)
ASP-197278-04	Samtec ERM8 Series Matching Connector (14mm mated connector height)

## CONTACT INFORMATION

**Americas**  
 2211 South 47th Street  
 Phoenix, Arizona 85034  
 United States of America  
 eval.kits@avnet.com  
 1-800-585-1602

## X-ON Electronics

Largest Supplier of Electrical and Electronic Components

*Click to view similar products for [avn engineering manufacturer](#):*

Other Similar products are found below :

[AES-KCU-JESD-G](#) [102-03](#) [AES-MINI-ITX-7Z045-BAS-G](#) [AES-ATT-M14A2A-IOT-SK-AWS-G](#) [105-01](#) [105-011](#) [101-03](#) [103-01](#) [102-02](#)  
[103-02](#) [AES-MINI-ITX-7Z100-G](#) [AES-ATT-M18Q2FG-SK-G](#) [AES-SLP-12V5A-G](#) [AES-FMC-MC4-AR0231AT-G](#) [AES-LPA-502-G](#) [AES-](#)  
[Z7MB-7Z010-SBC-I-G](#) [AES-MINI-ITX-7Z045-SYS-G](#) [AES-ZU-IOCC-G](#) [AES-A7MB-7A35T-G](#) [AVTSE-RPI-IIOTG](#) [AES-CAM-ON-](#)  
[P1300C-G](#) [AES-ULTRA96-V2-I-G](#) [AES-FMC-ISMNET2-G](#) [L02-027-1000-Z-ZZZZ\\_V2](#) [AES-MBCC-IO-G](#) [AES-S32V-NXP-G](#) [AES-](#)  
[PMOD-TPM20-SLB9670-G](#) [AES-MMP-BB2-G](#) [AES-BG96-IOT-SK2-PROMO](#) [VT-SK-002-A01](#) [AES-ATT-IMA3-IOT-STM32L4-SK-G](#)  
[AES-ACC-U96-ME-MEZ](#) [AES-ZBDB-ADPT-G](#) [AES-Z7EV-7Z020-G](#) [AES-MINI-ITX-7Z045-G-466](#) [AES-MBCC-BRK-G](#) [AES-SHLD-](#)  
[BLEWF-G](#) [AES-PMOD-MUR-1DX-G](#) [AES-ACC-MAAX-CAM1](#) [AES-ACC-U96-PHS-1](#) [AES-ZU3EG-1-SOM-G](#) [AES-FMC-EXT-G](#) [AES-](#)  
[FMC-HDMI-CAM-G](#) [AES-ARDUINO-CC-G](#) [AES-MBCC-FMC-G](#) [AES-ATT-M18Q-CAR-G](#) [AES-FMC-NETW1-G](#) [AES-FMC-](#)  
[MULTICAM4-G](#) [AES-VTSK001](#) [AES-MC-SBC-IMX8M-G](#)