

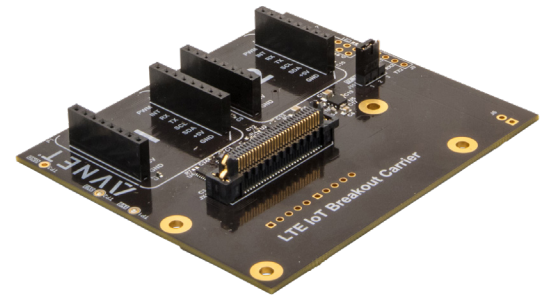
# LTE IoT Breakout Carrier



## KIT DESCRIPTION

The LTE IoT Breakout Carrier facilitates system-level prototyping using either the AT&T IoT Starter Kit 2nd Generation or the Global LTE IoT Starter Kit available from Avnet or AT&T. The carrier board provides a 60-pin connector for mating to the expansion interface on LTE System Board and routes some of the peripheral interfaces to two MikroElektronika Click module sockets. This provides easy access to over 300+ off-the-shelf Click modules, for quick prototyping of additional sensors, relays, analog and digital interfaces, and much more. On board 3.3V and 1.8V regulators included on the carrier ensure proper signal level shifting and power quality for all use cases.

External control of the LTE System Board power-down and sleep modes is also facilitated via a 2x6 pin header (unpopulated), which also provides access to the module's digital audio interface.



## FEATURES

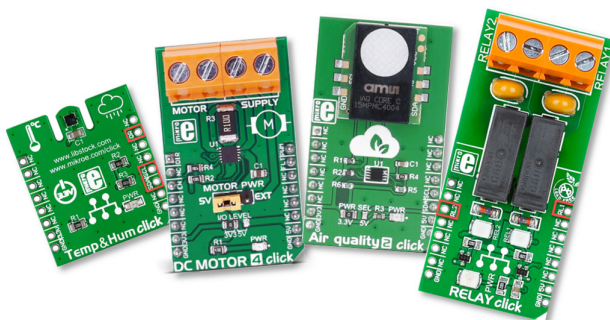
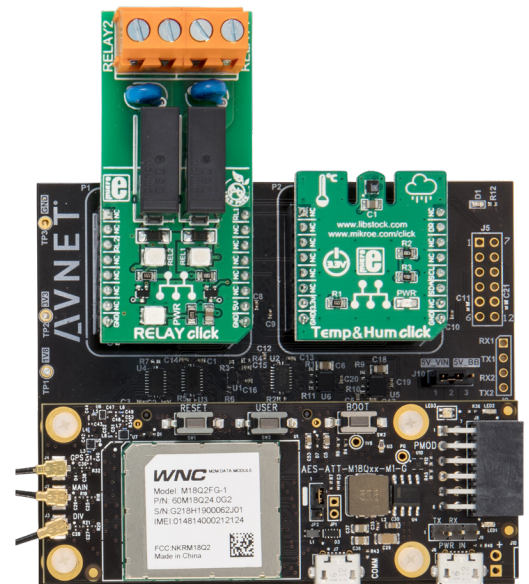
- Access to the key peripheral interfaces of LTE System board via 60-pin Samtec ERM8 series connector (7mm mated connector height)
- Level-shifting of the WNC M18Qxx module signals to/from 1.8V / 3.3V levels
- Dual sockets for two MikroElektronika Click peripheral modules
- Flexible system prototyping via over 300 available Click modules
- External control of the LTE System Board power-down and sleep modes via unpopulated header (2x6 pin peripheral module format, includes power control and digital audio signals)
- On board 3.3V and 1.8V voltage regulators

Typical System-Level Prototyping Configuration

## CLICK MODULES

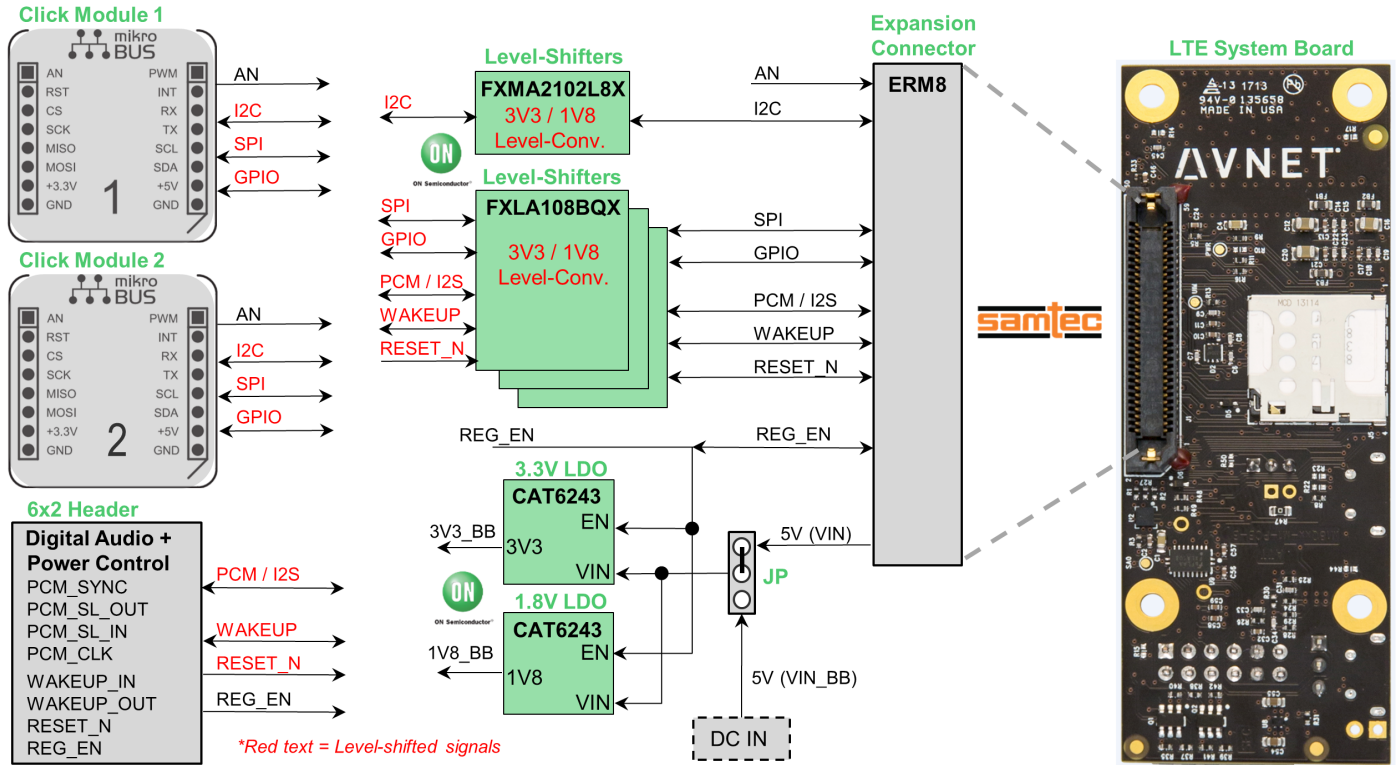
- A wide range of inexpensive, small Click modules are available for purchase from Avnet

For more detail on MikroE Click modules, visit: <https://www.mikroe.com/click>



To purchase this kit, visit <http://cloudconnectkits.org/product/lte-iot-breakout-carrier>

## BLOCK DIAGRAM



## FEATURED SUPPLIERS



## PARTS

Part Number	Description
AES-ATT-M18Q-CAR-G	LTE IoT Breakout Carrier (Click Module expansion board for system-level prototyping)

## RELATED PARTS

Part Number	Description
AES-ATT-M18Q2FG-SK-G (North America)	AT&T IoT Starter Kit (2nd Generation)
AES-ATT-M18QWG-SK-G (Europe)	Global LTE IoT Starter Kit
MIKROE-1971 (Example Sensor Click module as used in Reference Design)	Temp&Hum Click Module (MikroElektronika)
MIKROE-1370 (Example Dual Relay Click module as used in Reference Design)	Relay Click Module (MikroElektronika)

## CONTACT INFORMATION

**Americas**  
 2211 South 47th Street  
 Phoenix, Arizona 85034  
 United States of America  
 eval.kits@avnet.com  
 1-800-585-1602

**EMEA (EBV & Silica)**  
 Im Technologiepark 2-8  
 85586 Poing  
 Germany  
 ebvchips@ebv.com  
 +49-8121-77702

**Avnet Asia**  
 151 Lorong Chuan,  
 #06-03 New Tech Park  
 Singapore 556741  
 ASIA-EM-ADS@avnet.com  
 +65-6580-6000

## X-ON Electronics

Largest Supplier of Electrical and Electronic Components

*Click to view similar products for [avn engineering manufacturer](#):*

Other Similar products are found below :

[AES-KCU-JESD-G 102-03](#) [AES-MINI-ITX-7Z045-BAS-G](#) [AES-ATT-M14A2A-IOT-SK-AWS-G 105-01](#) [105-011](#) [101-03](#) [103-01](#) [102-02](#)  
[103-02](#) [AES-MINI-ITX-7Z100-G](#) [AES-ATT-M18Q2FG-SK-G](#) [AES-SLP-12V5A-G](#) [AES-FMC-MC4-AR0231AT-G](#) [AES-LPA-502-G](#) [AES-](#)  
[Z7MB-7Z010-SBC-I-G](#) [AES-MINI-ITX-7Z045-SYS-G](#) [AES-ZU-IOCC-G](#) [AES-A7MB-7A35T-G](#) [AVTSE-RPI-IIOTG](#) [AES-CAM-ON-](#)  
[P1300C-G](#) [AES-ULTRA96-V2-I-G](#) [AES-FMC-ISMNET2-G](#) [L02-027-1000-Z-ZZZZ\\_V2](#) [AES-MBCC-IO-G](#) [AES-S32V-NXP-G](#) [AES-](#)  
[PMOD-TPM20-SLB9670-G](#) [AES-MMP-BB2-G](#) [AES-BG96-IOT-SK2-PROMO](#) [VT-SK-002-A01](#) [AES-ATT-IMA3-IOT-STM32L4-SK-G](#)  
[AES-ACC-U96-ME-MEZ](#) [AES-ZBDB-ADPT-G](#) [AES-Z7EV-7Z020-G](#) [AES-MINI-ITX-7Z045-G-466](#) [AES-MBCC-BRK-G](#) [AES-SHLD-](#)  
[BLEWF-G](#) [AES-PMOD-MUR-1DX-G](#) [AES-ACC-MAAX-CAM1](#) [AES-ACC-U96-PHS-1](#) [AES-ZU3EG-1-SOM-G](#) [AES-FMC-EXT-G](#) [AES-](#)  
[FMC-HDMI-CAM-G](#) [AES-ARDUINO-CC-G](#) [AES-MBCC-FMC-G](#) [AES-ATT-M18Q-CAR-G](#) [AES-FMC-NETW1-G](#) [AES-FMC-](#)  
[MULTICAM4-G](#) [AES-VTSK001](#) [AES-MC-SBC-IMX8M-G](#)