

TDNext 1.26Mpixel Pmod Camera Kit

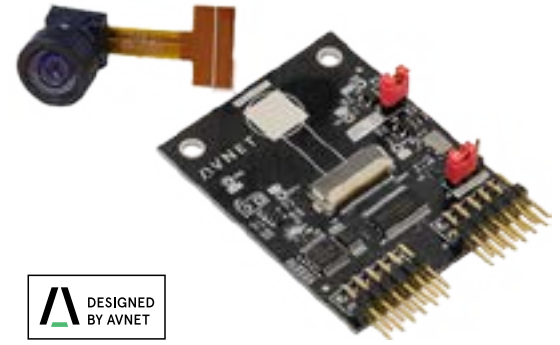


The TDNext 1.26Mpixel Pmod camera kit allows the low cost, production-ready TDM114 camera module to be populated on Avnet's Pmod enabled Xilinx development kits. The camera kit features ON Semiconductor's MT9M114, a 1/6-inch 1.26Mpixel CMOS digital image sensor with an active-pixel array of 1296 (H) × 976 (V). It includes sophisticated camera functions such as auto exposure control, auto white balance, black level control, flicker avoidance, and defect correction. Designed for low light performance, the MT9M114 produces extraordinarily clear, sharp digital pictures.

FEATURES

- TDNext Dual PMOD adapter
- TDM114 camera module, including:
 - ON Semiconductor 1/6" MT9M114 color image sensor
 - 720P30 resolution (1296 x 976 @ 30fps)
 - 8/10 bits CMOS parallel Interface
 - HFOV 90°
 - IR cut filter for daylight illumination

To purchase this kit, visit www.zedboard.org



COMPATIBLE WITH

- /ZEDBOARD™
- /MICROZED™
- /PICOZED™
- /ULTRAZED™
- /MINIZED™

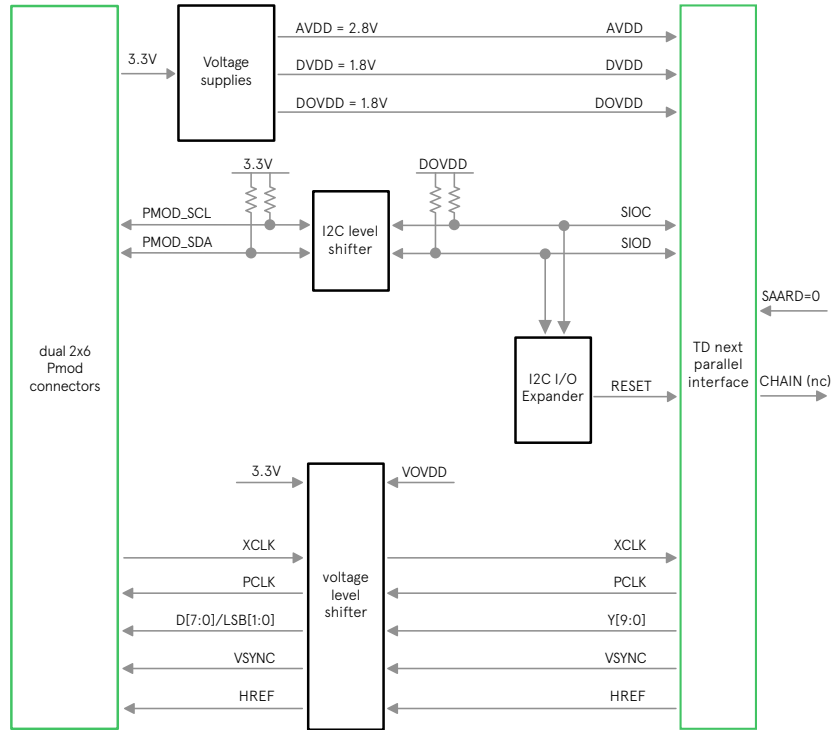
KIT INCLUDES

- Quick Start Guide
- Hardware
 - TDNext dual PMOD adapter
 - TDNext TDM114 camera module
- Downloadable Documentation and Reference Designs

TARGET APPS

- Security and Surveillance
- Scanning
- Drones and Robot Vision
- Medical Imaging
- Wearables
- Automotive

BLOCK DIAGRAM



FEATURED MANUFACTURERS



PARTS

Part Number	Description
AES-PMOD-TDM114-G	TDNext 1.26Mpixel Pmod Camera Kit

Countries Available for Purchase: Americas, EMEA, Asia, Japan

CONTACT INFORMATION

North America
 2211 S 47th Street
 Phoenix, Arizona 85034
 United States of America
 eval.kits@avnet.com
 1-800-585-1602

Europe
 Gruber Str. 60c
 85586 Poing
 Germany
 marketing@silica.com
 +49-8121-77702

Japan
 Yebisu Garden Place Tower, 23F
 4-20-3 Ebisu, Shibuya-ku
 Tokyo 150-6023 Japan
 eval-kits-jp@avnet.com
 +81-(0)3-5792-8210

Asia
 151 Lorong Chuan
 #06-03 New Tech Park
 Singapore 556741
 XilinxAPAC@avnet.com
 +65-6580-6000

X-ON Electronics

Largest Supplier of Electrical and Electronic Components

Click to view similar products for [avn engineering manufacturer](#):

Other Similar products are found below :

[AES-KCU-JESD-G 102-03](#) [AES-MINI-ITX-7Z045-BAS-G](#) [AES-ATT-M14A2A-IOT-SK-AWS-G 105-01](#) [105-011](#) [101-03](#) [103-01](#) [102-02](#)
[103-02](#) [AES-MINI-ITX-7Z100-G](#) [AES-ATT-M18Q2FG-SK-G](#) [AES-SLP-12V5A-G](#) [AES-FMC-MC4-AR0231AT-G](#) [AES-LPA-502-G](#) [AES-](#)
[Z7MB-7Z010-SBC-I-G](#) [AES-MINI-ITX-7Z045-SYS-G](#) [AES-ZU-IOCC-G](#) [AES-A7MB-7A35T-G](#) [AVTSE-RPI-IIOTG](#) [AES-CAM-ON-](#)
[P1300C-G](#) [AES-ULTRA96-V2-I-G](#) [AES-FMC-ISMNET2-G](#) [L02-027-1000-Z-ZZZZ_V2](#) [AES-MBCC-IO-G](#) [AES-S32V-NXP-G](#) [AES-](#)
[PMOD-TPM20-SLB9670-G](#) [AES-MMP-BB2-G](#) [AES-BG96-IOT-SK2-PROMO](#) [VT-SK-002-A01](#) [AES-ATT-IMA3-IOT-STM32L4-SK-G](#)
[AES-ACC-U96-ME-MEZ](#) [AES-ZBDB-ADPT-G](#) [AES-Z7EV-7Z020-G](#) [AES-MINI-ITX-7Z045-G-466](#) [AES-MBCC-BRK-G](#) [AES-SHLD-](#)
[BLEWF-G](#) [AES-PMOD-MUR-1DX-G](#) [AES-ACC-MAAX-CAM1](#) [AES-ACC-U96-PHS-1](#) [AES-ZU3EG-1-SOM-G](#) [AES-FMC-EXT-G](#) [AES-](#)
[FMC-HDMI-CAM-G](#) [AES-ARDUINO-CC-G](#) [AES-MBCC-FMC-G](#) [AES-ATT-M18Q-CAR-G](#) [AES-FMC-NETW1-G](#) [AES-FMC-](#)
[MULTICAM4-G](#) [AES-VTSK001](#) [AES-MC-SBC-IMX8M-G](#)