

The I/O Carrier Card supports the MicroZed[™] Evaluation Kit and System-on-Module (SOM), providing easy access to the full 108 user I/O available from the MicroZed SOM. Two 100-pin MicroHeaders on the carrier card mate with the MicroZed, connecting over 80 of the MicroZed Programmable Logic (PL) I/O to 12 Digilent Pmod[™] compatible interfaces. The remaining MicroZed I/O are connected to various I/O Carrier Card features, including push button switches, DIP switches, LEDs, EEPROM, Xilinx XADC, and clock oscillator. The I/O Carrier Card also generates the necessary power rails for MicroZed, providing 5 V to the MicroZed core, user selectable bank voltages for the PL I/O, and the necessary voltages for the XADC. The I/O Carrier Card speeds prototype and evaluation of MicroZed and provides an excellent starting point for creating your own MicroZed carrier card.

FEATURES

Interfaces

- Two 100-pin board-to-board MicroHeaders
- Xilinx PC4 header for download/debug
 - Accesses PL JTAG
- Twelve Digilent Pmod[™] compatible interfaces
 - Access to 80 user I/O
 - One connected to PS MIO
 - Two connected to Bank 13 (supported with 7Z020 MicroZed only)
- Reset push button
- 4 User push buttons
- 2 Configuration push buttons
- 8 User LEDs
- 4 User DIP switches
- 2 Status LEDs
- Xilinx AMS Header

On-board Oscillator

- 100 MHz

On-board Memory

- 1 KB 1-wire EEPROM

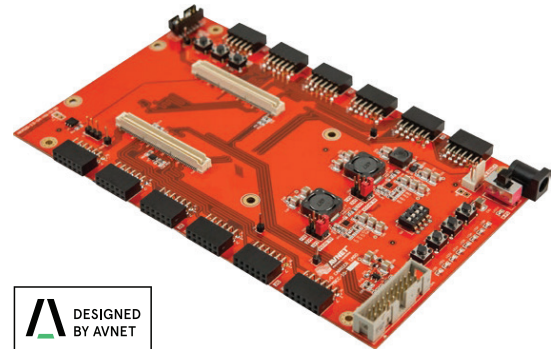
Power

- Internal
 - 5 V connection to MicroZed and XADC
 - Two 1.8/2.5/3.3 V @ 2 A Regulators for MicroZed VCCIO
 - Filtered 1.8 V @ 0.2 A Regulator for XADC
 - 1.25 V @ 0.2 A Regulator for XADC

Input

- 5 V Barrel jack input

To purchase this kit, visit www.microzed.org



COMPATIBLE WITH

/MICROZED[™]

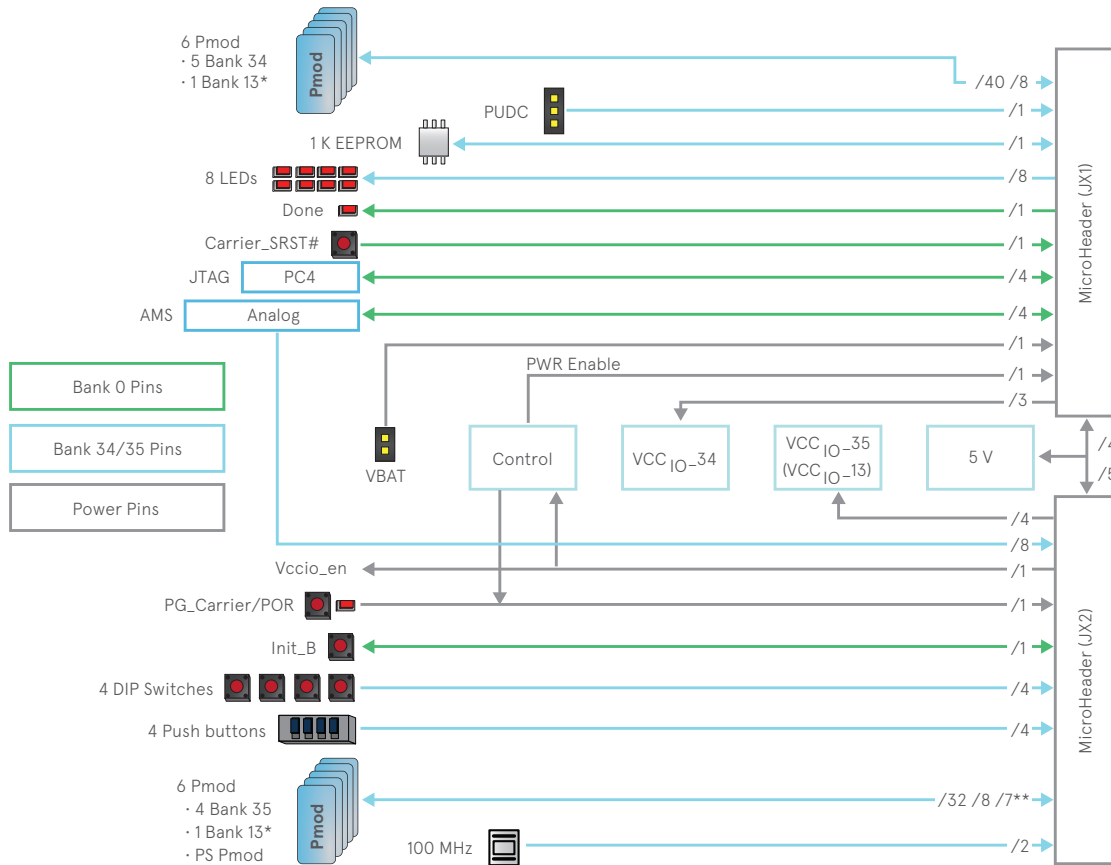
KIT INCLUDES

- I/O Carrier Card
- 5 V @ 3 A AC/DC Power Supply
- Getting Started Card

TARGET APPLICATIONS

- General MicroZed evaluation and prototyping
- Embedded system-on-module (SOM) applications
- Test & measurement

BLOCK DIAGRAM



* Bank 13 I/O only supported by the 7Z020 version of MicroZed
 ** Bank 13 Pmod only has 7 I/O Pins

PARTS

Part Number	Description
AES-MBCC-IO-G	I/O Carrier Card

RELATED PARTS

Part Number	Description
AES-Z7MB-7Z010-G	MicroZed Evaluation Kit
AES-Z7MB-7Z010-SOM-G	System-on-Module Version of MicroZed 7010
AES-Z7MB-7Z020-SOM-G	System-on-Module Version of MicroZed 7020

*For quantities greater than 100 call for quote

Countries Available for Purchase: Americas, EMEA, Asia, Japan

CONTACT INFORMATION

North America
 2211 S 47th Street
 Phoenix, Arizona 85034
 United States of America
 eval.kits@avnet.com
 1-800-585-1602

Europe
 Gruber Str. 60c
 85586 Poing
 Germany
 marketing@silica.com
 +49-8121-77702

Japan
 Yebisu Garden Place Tower, 23F
 4-20-3 Ebisu, Shibuya-ku
 Tokyo 150-6023 Japan
 eval-kits-jp@avnet.com
 +81-(0)3-5792-8210

Asia
 151 Lorong Chuan
 #06-03 New Tech Park
 Singapore 556741
 XilinxAPAC@avnet.com
 +65-6580-6000

X-ON Electronics

Largest Supplier of Electrical and Electronic Components

Click to view similar products for [avn engineering manufacturer](#):

Other Similar products are found below :

[AES-KCU-JESD-G 102-03](#) [AES-MINI-ITX-7Z045-BAS-G](#) [AES-ATT-M14A2A-IOT-SK-AWS-G 105-01](#) [105-011](#) [101-03](#) [103-01](#) [102-02](#)
[103-02](#) [AES-MINI-ITX-7Z100-G](#) [AES-ATT-M18Q2FG-SK-G](#) [AES-SLP-12V5A-G](#) [AES-FMC-MC4-AR0231AT-G](#) [AES-LPA-502-G](#) [AES-](#)
[Z7MB-7Z010-SBC-I-G](#) [AES-MINI-ITX-7Z045-SYS-G](#) [AES-ZU-IOCC-G](#) [AES-A7MB-7A35T-G](#) [AVTSE-RPI-IIOTG](#) [AES-CAM-ON-](#)
[P1300C-G](#) [AES-ULTRA96-V2-I-G](#) [AES-FMC-ISMNET2-G](#) [L02-027-1000-Z-ZZZZ_V2](#) [AES-MBCC-IO-G](#) [AES-S32V-NXP-G](#) [AES-](#)
[PMOD-TPM20-SLB9670-G](#) [AES-MMP-BB2-G](#) [AES-BG96-IOT-SK2-PROMO](#) [VT-SK-002-A01](#) [AES-ATT-IMA3-IOT-STM32L4-SK-G](#)
[AES-ACC-U96-ME-MEZ](#) [AES-ZBDB-ADPT-G](#) [AES-Z7EV-7Z020-G](#) [AES-MINI-ITX-7Z045-G-466](#) [AES-MBCC-BRK-G](#) [AES-SHLD-](#)
[BLEWF-G](#) [AES-PMOD-MUR-1DX-G](#) [AES-ACC-MAAX-CAM1](#) [AES-ACC-U96-PHS-1](#) [AES-ZU3EG-1-SOM-G](#) [AES-FMC-EXT-G](#) [AES-](#)
[FMC-HDMI-CAM-G](#) [AES-ARDUINO-CC-G](#) [AES-MBCC-FMC-G](#) [AES-ATT-M18Q-CAR-G](#) [AES-FMC-NETW1-G](#) [AES-FMC-](#)
[MULTICAM4-G](#) [AES-VTSK001](#) [AES-MC-SBC-IMX8M-G](#)