



LED Retrofit 6.2W E14,E27,B15,B22



Product Overview

LED retrofit lamps are direct replacements for conventional incandescent, halogen, and compact fluorescent (CFL) lamps.

LEDs deliver higher lumens per watt (lm/W) which means significant energy savings while lasting more than ten times longer than incandescent sources. With their directional light, instant on and ability to dim, LEDs are fast becoming the light source of choice.

Features

- More eco-valued.
- Up to 85% energy saving.

Safety and Maintenance

- Switch off supply before installing or removing lamp.
- Allow to cool before handling.
- Do not use in totally enclosed fittings as this will reduce lamp life.
- Do not dispose of in household waste.
- Dispose of in appropriate section of local civic amenity site or recycling centre.

Specifications – E14,E27,B15,B22 Cap

| SKU | S8855 S8856 | S8906 | S8907 | S8854 S8910 |
|--------------------------------|--------------------|--------------------|--------------------|--------------------|
| Lamp Cap | E14 | E27 | B15 | B22 |
| Nominal Power (W) | 6.2 | 6.2 | 6.2 | 6.2 |
| Voltage | 220-240Vac 50-40Hz | 220-240Vac 50-40Hz | 220-240Vac 50-40Hz | 220-240Vac 50-40Hz |
| Current (mA) | 33 | 33 | 33 | 33 |
| Nominal Luminous Flux (lm) | 470 | 470 | 470 | 470 |
| CCT (K) | 2700K Warm white | 2700K Warm white | 2700K Warm white | 2700K Warm white |
| Nominal Lifetime (h) | 15000 | 15000 | 15000 | 15000 |
| Dimmable | Yes | Yes | Yes | Yes |
| Switching Cycles | 15000 | 15000 | 15000 | 15000 |
| Warm-up time to 60% (S) | 0.10 | 0.10 | 0.10 | 0.10 |
| Length (mm) | 102 | 108 | 108 | 97 |
| Diameter (mm) | 35 | 38 | 38 | 35 |
| Mercury (mg) | | | | |
| Clean-up instructions | See website | See website | See website | See website |
| Retrofit | Yes | Yes | Yes | Yes |
| Equivalent Wattage (W) | 40 | 40 | 40 | 40 |
| Rated Power (W) | 6.2 | 6.2 | 6.2 | 6.2 |
| Rated Luminous Flux (lm) | 470 | 470 | 470 | 470 |
| Rated Lifetime (h) | 15000 | 15000 | 15000 | 15000 |
| Power Factor | 0.90 | 0.90 | 0.90 | 0.90 |
| Rated Peak Candelas (cd) | 80 | 80 | 80 | 80 |
| Lumen Maintenance Factor at | | | | |
| Nominal Lifetime | 15000 | 15000 | 15000 | 15000 |
| CRI | 80 | 80 | 80 | 80 |
| Start Time (s) | 0.10 | 0.10 | 0.10 | 0.10 |
| Ambient Temperature Range (°C) | -20 to 40 | -20 to 40 | -20 to 40 | -20 to 40 |

Energy Label – E14,E27,B15,B22 Cap

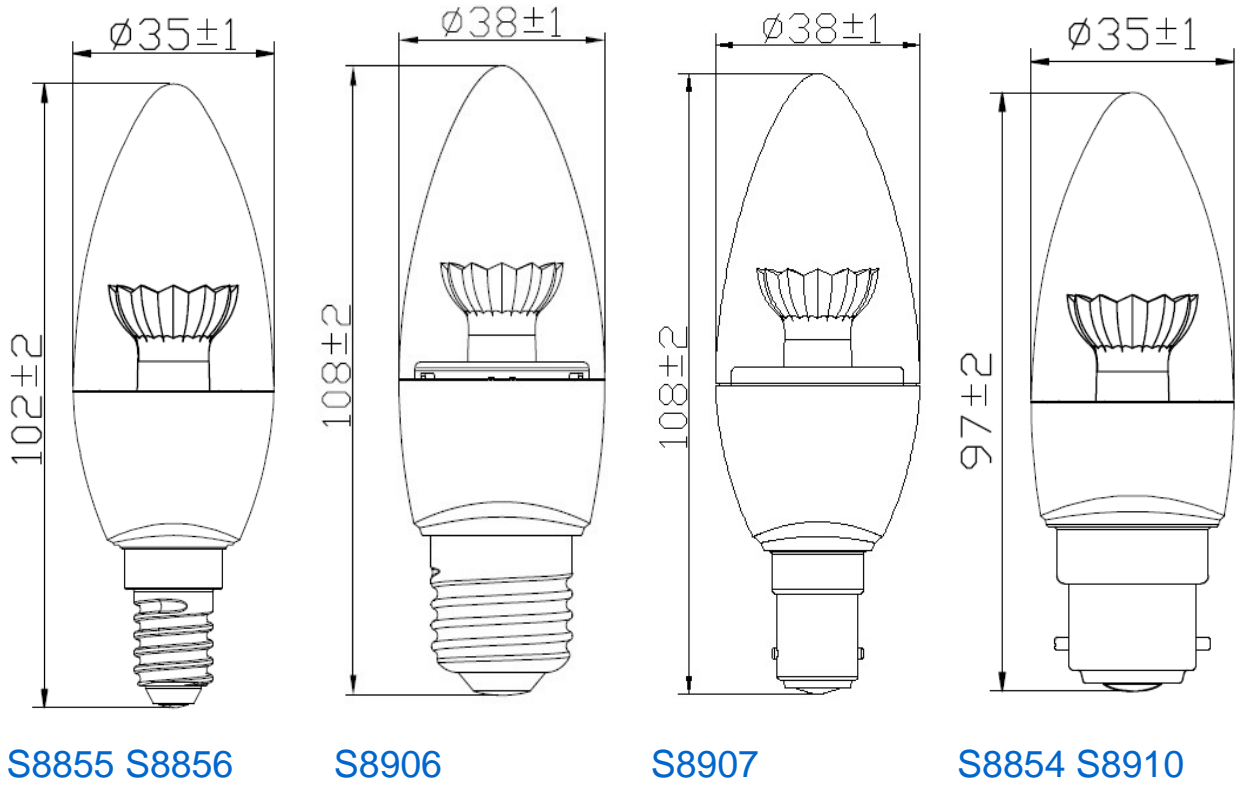
| Energy Class | A+ | A+ | A+ | A+ |
|-------------------------------|------------|------------|------------|------------|
| Energy Consumption (kWh/1000) | 6.2 (6.2)* | 6.2 (6.2)* | 6.2 (6.2)* | 6.2 (6.2)* |

* The kWh/1000h value published on the energy label is required to be rounded up to an integer according to the EU implementing directive on Energy Labelling. The value to 2 decimal places is given for reference.

Product Markings – E14,E27,B15,B22 Cap

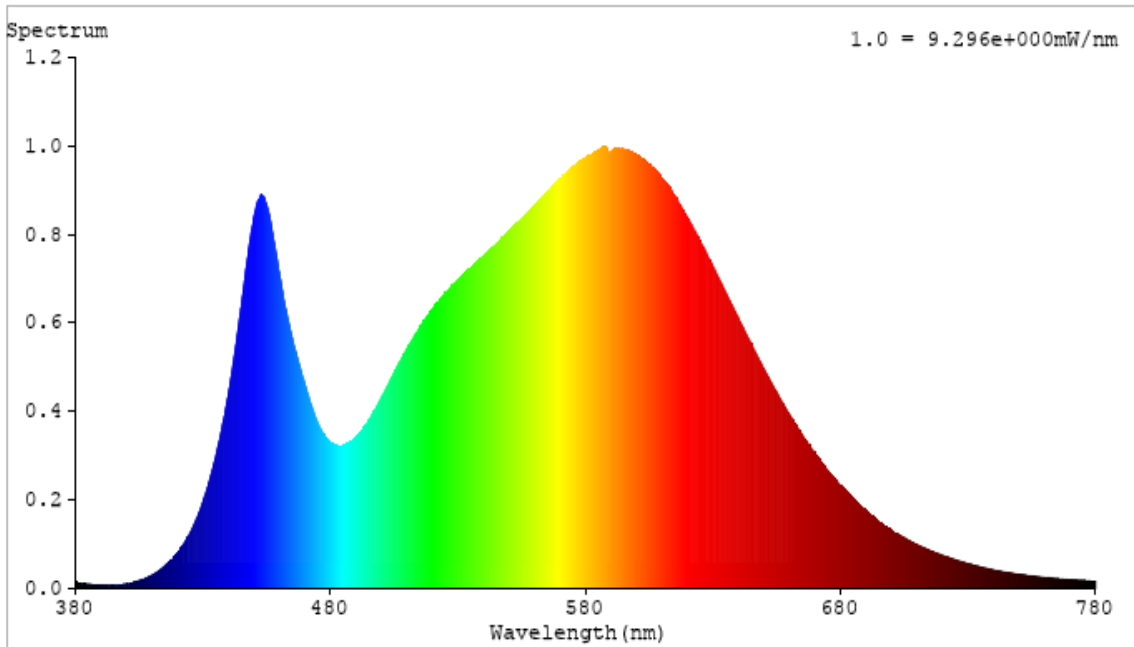
| | | | | |
|-------------------|--------------------|--------------------|--------------------|--------------------|
| Voltage | 220-240Vac 50-40Hz | 220-240Vac 50-40Hz | 220-240Vac 50-40Hz | 220-240Vac 50-40Hz |
| Nominal Power (W) | 6.2 | 6.2 | 6.2 | 6.2 |
| Current (mA) | 33 | 33 | 33 | 33 |
| CE Mark | Yes | Yes | Yes | Yes |
| WEEE Mark | Yes | Yes | Yes | Yes |
| Batch Code | Yes | Yes | Yes | Yes |

Dimensions



Photometric Information

2700K



X-ON Electronics

Largest Supplier of Electrical and Electronic Components

Click to view similar products for [energizer manufacturer](#):

Other Similar products are found below :

[1215F2X3](#) [LR43 186](#) [AC13](#) [AC312](#) [AC675](#) [603298](#) [638006](#) [639830](#) [E300132000](#) [S9025](#) [7638900414660](#) [HARD CASE RECHARGEABLE](#) [HARD CASE PRO MULTI USE](#) [HCHD311](#) [S9029](#) [639826](#) [603386](#) [HARD CASE PROFF 4AA](#) [HARDCASE PRO HEADLIGHT](#) [639618](#) [RCLINM2WR](#) [S8865](#) [S8707](#) [S8100](#) [7638900424478](#) [7638900313130](#) [626177](#) [E300116200](#) [E300115900](#) [E300280600](#) [639838](#) [HARDCASE PRO WORK LIGHT](#) [603305](#) [METAL LED 6AA](#) [S8864](#) [HDD32E](#) [MS2AALED](#) [ENERGIZER® 2-IN-1 LANTERN HANDHELD](#) [E300124200](#) [E300171700](#) [ENFFL81E](#) [E300112600](#) [633474](#) [HDA32E](#) [7638900421422](#) [HARD CASE PRO PIVOT](#) [HCSP61E](#) [7638900424485](#) [HDC32E](#) [E300115800](#)