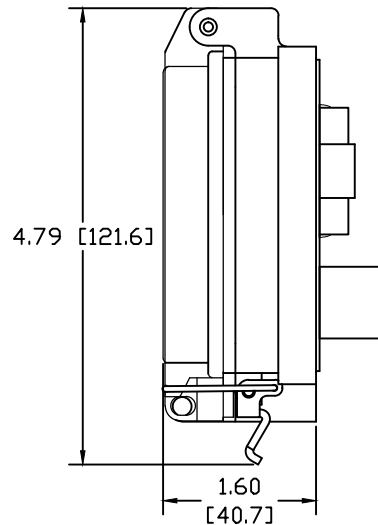
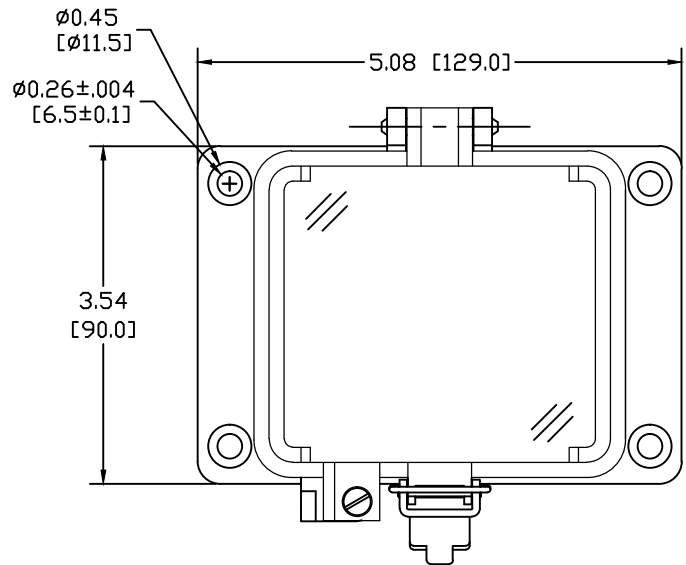
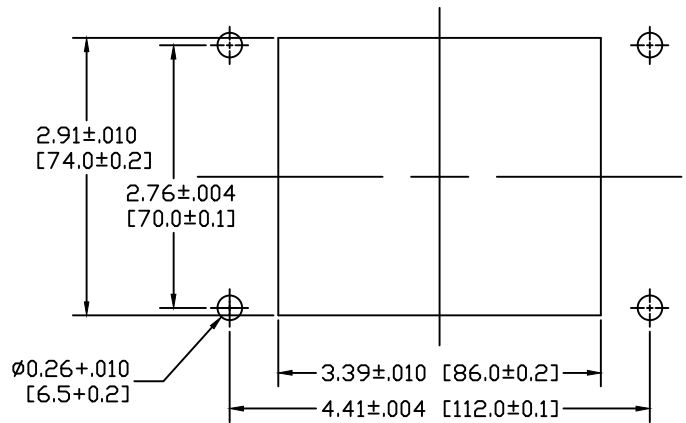


PANEL CUTOUT



- NOTE:
- 1.) HOUSING INSERTS COMPONENT LOCATIONS ARE APPROXIMATE.
 - 2.) HOUSINGS ARE UL RECOGNIZED TYPE 4 OTHER ENVIRONMENTAL RATINGS MAY APPLY.
 - 3.) FINAL ASSEMBLIES: UL RECOGNIZED, CSA, AND CE MAY APPLY CONSULT FACTORY.
 - 4.) COVERS: CLEAR, UL V0 FLAME RATING, & UV RATED.

GracePort(R) is a Registered Trademark of Grace Engineered Products, Inc.
Property of Grace Engineered Products, Inc.

X-ON Electronics

Largest Supplier of Electrical and Electronic Components

Click to view similar products for [grace engineered products manufacturer](#):

Other Similar products are found below :

[R-3D2](#) [P-P11R2-K3RF0](#) [P-R2-H3R3](#) [P-R2-F2R0](#) [P-R2-F3R3](#) [R-T3WS-LCH](#) [P-R2-K3RF0](#) [P-R2-B3RX](#) [R-3W-KB-L](#) [R-3W-L](#)