



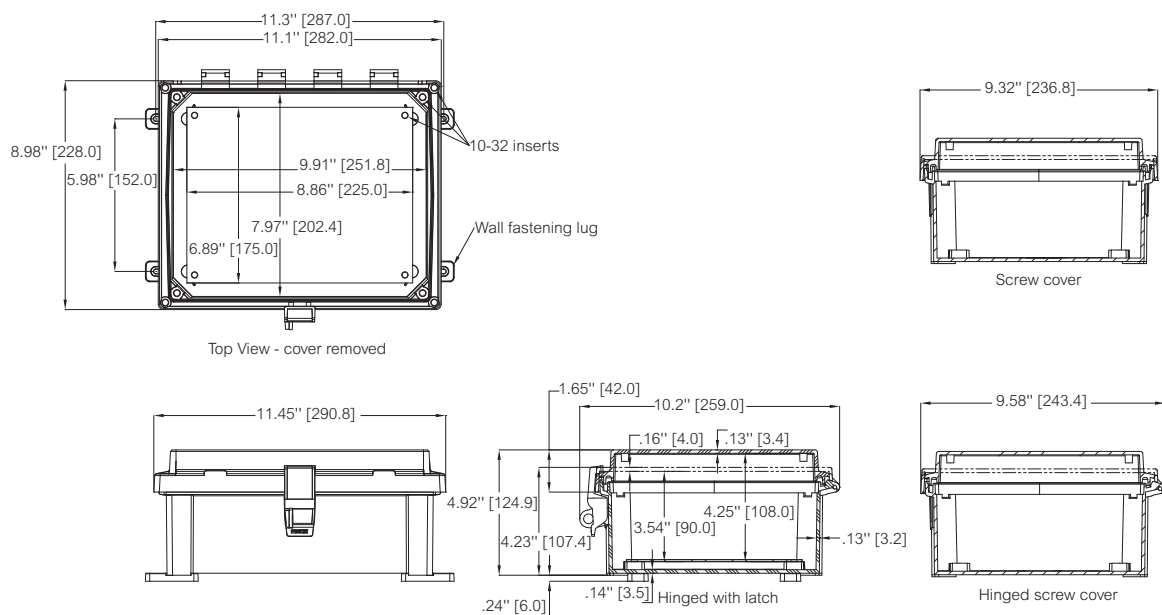
Sample photo

Order symbol: AR1084SC
Product nbr: 8561097
Description: PC Enclosure
Remarks: Opaque screw cover

EAN: 6418074066336
EI. number:
Finland:

Including: Screw cover base with 10-32 brass inserts, cover with formed in place PUR gasket and 4 stainless cover screws. Enclosure mounting foot kit. Accessory 10-32 screws for panel mounting.

Dimensions:				Accessories:	
	Length	Width	Height		
mm:	254	203	102	ALBP108	Aluminum Back Panel
inch:	10.0	8.0	4.0	ADFP108	Dead Front Panel w/ screws
Materials:				ASP108	Aluminum Swing Panel
Material:	Polycarbonate			ASPK108	Swing Panel Kit incl. Panel
Base colour:	RAL 7035 -light grey			ASPHK10	Swing Panel Kit w/o Panel
Cover screws material:	Stainless steel			AMFL8	8" Mounting Flange Set
Cover colour:	RAL 7035 -light grey			Rating:	
Gasket material:	Polyurethane			Ingress Protection (EN 60529): IP66/IP67	
Temperatures:				Electrical insulation: Totally insulated	
Temperature °C (short term):	-40 ... 140 °C			Halogen free (DIN/VDE 0472, Part 815): 0	
Temperature °C (continuous):	-40 ... 80 °C			UV resistance: UL 508	
Temperature °F (short term):	-40 ... 284 °F			Flammability Rating: UL 508	
Temperature °F (continuous):	-40 ... 175 °F			Glow Wire Test (IEC 695-2-1) °C: 960	
Accessories:				NEMA Class: UL Type 4, 4X, 6, 6P, 12 and 13	
ABP108	Painted Steel Back Panel				



X-ON Electronics

Largest Supplier of Electrical and Electronic Components

Click to view similar products for [fibox](#) manufacturer:

Other Similar products are found below :

[MPS ARCA 5040](#) [PCM 175/75 T 9822001](#) [ABQ3 364015](#) [ABS 150/100 HG ARH 2328](#) [EKMVT](#) [CAB ABSQ 302017G](#) [CAB PC 303018 G3B](#) [CAB PCQ 404017 T 9822003](#) [PCT 081206](#) [CAB ABS 302018 G](#) [CAB PC 303018 T3B](#) [CAB PC 604022 T](#) [CAB PCQ 303017 T](#) [CAB PCQ 404017 G](#) [PC 5628 13 T](#) [TAM 090706 MC](#) [ARCA 406021](#) [MP 6040](#) [ARCA 405021](#) [ARCA 604021](#) [ARCA 806030](#) [5330360](#) [EKOE 130 G](#) [2539543](#) [DRS ARCA 403015](#) [DRS ARCA 304021](#) [DRS ARCA 203015](#) [PC 100/125 HG](#) [PC 100/75 HT](#) [PC 300/150 ZG](#) [PCM 175/150 G](#) [PCM 125/100 G](#) [PC 125/125 HG](#) [ABS D 65 G](#) [CAB PC 302018 G](#) [9822015](#) [CAB ABSQ 403017 G](#) [CAB PC 302018 G3B](#) [7094220](#) [7094450](#) [PC 1919 13 T-2FSH](#) [PC 200/150 HT](#) [PCM 175/100 T](#) [PCT 121210](#) [9821007](#) [EKPE 130 G ENCLOSURE](#) [ABS C 85 G](#)