

# HEAVY DUTY ENCLOSURES

## X7 Series Electrical Heavy Duty Enclosures - Polycarbonate

- IP66/67 rated enclosure
- IK07/08 impact tested
- Heavy duty screw type enclosure
- Moulded in high quality Polycarbonate
- PCB pillers in the base for PCB mounting
- Brass inserts in the base
- Gasket supplied with the enclosure
- Clear lid option available
- Captive, polyamide screws included
- Wall mounting facility accessories available

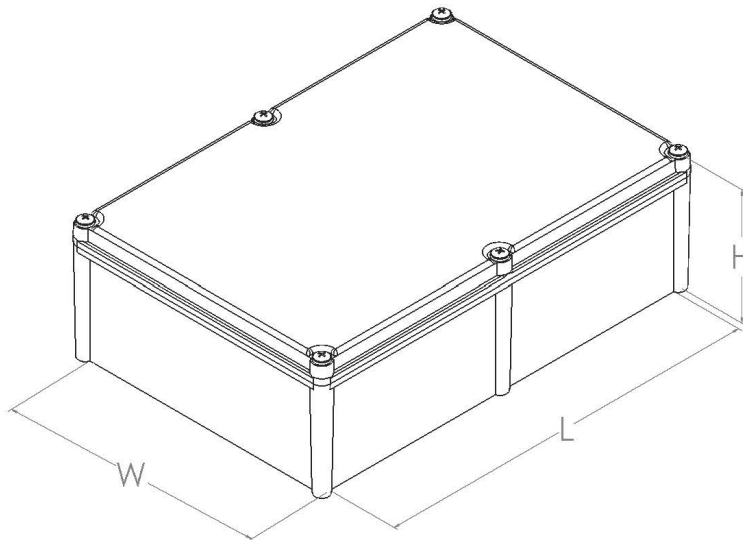
### SPECIFICATION

Materials	Polycarbonate UL94-V0
Operating Temperature	-40°C ~ +70°C
Protection Class	IP66/67, IK07/08
Standard Colours	Grey, Transparent lid option
Standard Unit Includes	Box and lid, 4 screws
Available accessories	Mount plates

### CHDX7-2



TYPE NO. SOLID LID	TYPE NO. CLEAR LID	LENGTH	WIDTH	HEIGHT
CHDX7-221	CHDX7-221C	190	190	130
CHDX7-222	CHDX7-222C	190	380	130
CHDX7-223	CHDX7-223C	190	380	180
CHDX7-224	CHDX7-224C	280	380	180
CHDX7-225	CHDX7-225C	330	430	180



UNIVERSAL ENCLOSURES

HAND HELD CASES

HEAVY DUTY ENCLOSURES

DIN RAIL ENCLOSURES

INTERFACE SUPPORTS

ELECTRICAL ENCLOSURES

DIECAST & METAL ENCLOSURES

DESKTOP & INSTRUMENT CASES

MULTI-PURPOSE & POTTING BOXES

19" ENCLOSURES

19" CABINETS

DEVELOPMENT BOARD ENCLOSURES

CUSTOM SIZED ENCLOSURES

FSPT/ CUSTOM SERVICES



+44 (0)1638 716101  
[info@camdenboss.com](mailto:info@camdenboss.com)  
[www.camdenboss.com](http://www.camdenboss.com)

We operate a constant improvement policy, our products are subject to change without notice.

Ver 2

**CAMDENBOSS**  
 ELECTRONICS & ENCLOSURES

## X-ON Electronics

Largest Supplier of Electrical and Electronic Components

*Click to view similar products for [camden manufacturer](#):*

Other Similar products are found below :

[412689X](#) [CTBP92VE/12R](#) [CTBP9350/12](#) [IND515205-240-T/GRN](#) [IND515205-240-T/RD](#) [IND5032405-240-T/GRN](#) [CE10.00.EI](#)  
[C192SHAND](#) [CNMB/6ST/2](#) [CNMB/4ST/2](#) [CSACST004](#) [CTBP9200/9](#) [CIME/M/BE2250SS](#) [CHH64E1BL](#) [CIM/15W-DMFS](#) [CHHBAT2GY](#)  
[CFTBN/2](#) [CCB2S1/04](#) [CHDX6-221C](#) [CHDX8-224](#) [CHDASMP29](#) [CHDASMP30](#) [CHDASMP34](#) [CHDX810DD](#) [CHDX811DD](#)  
[CCTTM40LR](#) [CTBP92VJ/5S](#) [CTBP92VJ/8R](#) [CTSN431/12/M](#) [CTSN433/12/M](#) [CUABOX006](#) [CE10.00.FM](#) [CBRPH-BLK](#) [BIM2003/13-](#)  
[WH/WH](#) [RX2008/S-5-WH](#) [CBARD-CAR](#) [CRDCG0007](#) [CNMB/4/KIT](#) [CTB5050/5](#) [CTBP92HE/11](#) [CTBP9358/10AO](#) [CHH66C2GY](#)  
[CHH456PBK](#) [CHH451ABK](#) [CIM/9W-DMFS](#) [CIM/25W-DMFS](#) [RTM5006/16-NC-BLK](#) [IND5032405-125-T/AMB](#) [CCB1S1/03](#) [CCD2S1/04](#)