

# HEAVY DUTY ENCLOSURES

## X8 Series Electrical Hinged Lid Enclosure - Polycarbonate

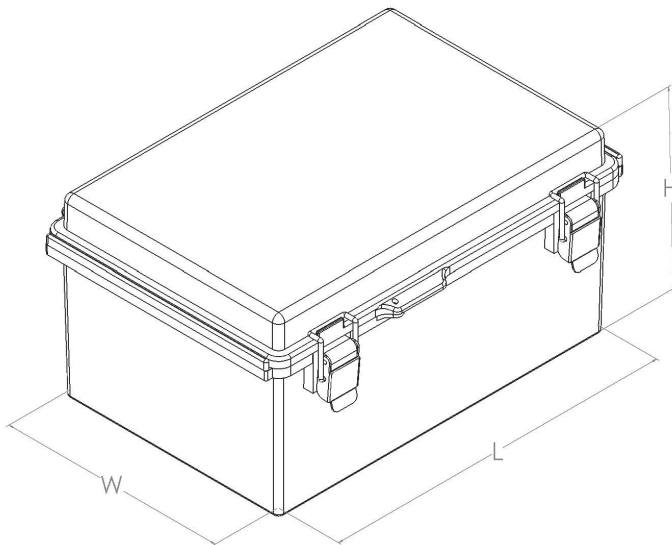
- IP66/67 rated enclosure
- IK07/08 impact tested
- Heavy duty hinge and latch enclosure
- Moulded in high quality Polycarbonate
- PCB pillars in the base for PCB mounting
- Brass inserts in the base
- Gasket supplied with the enclosure
- Clear lid option available
- Wall mounting facility accessories available

### SPECIFICATION

Materials	Polycarbonate UL94-V0
Operating Temperature	-40°C ~ + 70°C
Protection Class	IP66/67, IK07/08
Standard Colours	Grey, Transparent lid option
Standard Unit Includes	Box and lid
Available accessories	Dual door kit mount plates, integral lock vents

TYPE NO. SOLID LID	TYPE NO. CLEAR LID	LENGTH	WIDTH	HEIGHT
CHDX8-221	CHDX8-221C	260	110	75
CHDX8-222	CHDX8-222C	260	110	100
CHDX8-223	CHDX8-223C	185	135	85
CHDX8-224	CHDX8-224C	185	135	100
CHDX8-225	CHDX8-225C	220	170	110
CHDX8-226	CHDX8-226C	270	170	110
CHDX8-227	CHDX8-227C	300	200	150
CHDX8-228	CHDX8-228C	300	200	180
CHDX8-229	CHDX8-229C	210	210	100
CHDX8-230	CHDX8-230C	350	250	180
CHDX8-231	CHDX8-231C	300	300	180
CHDX8-232	CHDX8-232C	400	300	180
CHDX8-233	CHDX8-233C	500	400	200
CHDX8-234	CHDX8-234C	630	530	255
CHDX8-235	CHDX8-235C	830	630	185
CHDX8-236	CHDX8-236C	830	160	285

CHDX8-2



UNIVERSAL ENCLOSURES

HAND HELD CASES

HEAVY DUTY ENCLOSURES

DIN RAIL ENCLOSURES

INTERFACE SUPPORTS

ELECTRICAL ENCLOSURES

DIECAST & METAL ENCLOSURES

DESKTOP & INSTRUMENT CASES

MULTI-PURPOSE & POTTING BOXES

19" ENCLOSURES

19" CABINETS

DEVELOPMENT BOARD ENCLOSURES

CUSTOM SIZED ENCLOSURES

FSPT/ CUSTOM SERVICES

## X-ON Electronics

Largest Supplier of Electrical and Electronic Components

*Click to view similar products for [camden manufacturer](#):*

Other Similar products are found below :

[412689X](#) [CTBP92VE/12R](#) [CTBP9350/12](#) [IND515205-240-T/GRN](#) [IND515205-240-T/RD](#) [IND5032405-240-T/GRN](#) [CE10.00.EI](#)  
[C192SHAND](#) [CNMB/6ST/2](#) [CNMB/4ST/2](#) [CSACST004](#) [CTBP9200/9](#) [CIME/M/BE2250SS](#) [CHH64E1BL](#) [CIM/15W-DMFS](#) [CHHBAT2GY](#)  
[CFTBN/2](#) [CCB2S1/04](#) [CHDX6-221C](#) [CHDX8-224](#) [CHDASMP29](#) [CHDASMP30](#) [CHDASMP34](#) [CHDX810DD](#) [CHDX811DD](#)  
[CCTTM40LR](#) [CTBP92VJ/5S](#) [CTBP92VJ/8R](#) [CTSN431/12/M](#) [CTSN433/12/M](#) [CUABOX006](#) [CE10.00.FM](#) [CBRPH-BLK](#) [BIM2003/13-](#)  
[WH/WH](#) [RX2008/S-5-WH](#) [CBARD-CAR](#) [CRDCG0007](#) [CNMB/4/KIT](#) [CTB5050/5](#) [CTBP92HE/11](#) [CTBP9358/10AO](#) [CHH66C2GY](#)  
[CHH456PBK](#) [CHH451ABK](#) [CIM/9W-DMFS](#) [CIM/25W-DMFS](#) [RTM5006/16-NC-BLK](#) [IND5032405-125-T/AMB](#) [CCB1S1/03](#) [CCD2S1/04](#)