

Panel mounting frames - CUC-V14-F1ZNI-EM/R4F8 - 1413961


Please be informed that the data shown in this PDF Document is generated from our Online Catalog. Please find the complete data in the user's documentation. Our General Terms of Use for Downloads are valid (<http://phoenixcontact.com/download>)



RJ45 panel mounting frame, IP67, for push-pull interlocking, metal, for rectangular mounting cutout, with seal and mounting screws, incl. RJ45 insert with IDC cable connection



Key Commercial Data

Packing unit	1 STK
GTIN	 4 055626 082196
GTIN	4055626082196
Weight per Piece (excluding packing)	46.600 g
Sales Key	ABNECB

Technical data

Mechanical characteristics

Number of positions	8
Number of slots	1
Connection profile	RJ45
Locking type	Push Pull
Insertion/withdrawal cycles	≥ 750
Connection method	IDC connection
Connection cross section AWG	26 ... 22 (solid)
	26 ... 22 (stranded)
External cable diameter	4.5 mm ... 9 mm
Tightening torque, min.	0.5 Nm
Tightening torque max.	0.75 Nm
Screw thread	M3
Wire diameter	0.4 mm ... 0.65 mm
Wire diameter including insulation	0.8 mm ... 1.6 mm
Insulation resistance	> 500 MΩ (100 V DC)
Degree of protection	IP65/IP67
Type	RJ45, IP65/67, version 14

Panel mounting frames - CUC-V14-F1ZNI-EM/R4F8 - 1413961

Technical data

Ambient conditions

Ambient temperature (operation)	-10 °C ... 60 °C
Ambient temperature (assembly)	-5 °C ... 55 °C
Ambient temperature (storage/transport)	-40 °C ... 70 °C

Material data

Flammability rating according to UL 94	V0
Housing material	Zinc die-cast
Housing surface material	Nickel-plated
Contact carrier material	PC
Contact material	CuSn
Contact surface material	Gold over nickel
Material	Metal
Seal material	NBR
Height	42 mm

Electrical characteristics

Number of positions	8
GRP transmission properties	CAT6 _A
Transmission speed	10 Gbps
Frequency range	500 MHz
Degree of pollution	2
Rated voltage (III/3)	1000 V DC

Standards and Regulations

Flammability rating according to UL 94	V0
--	----

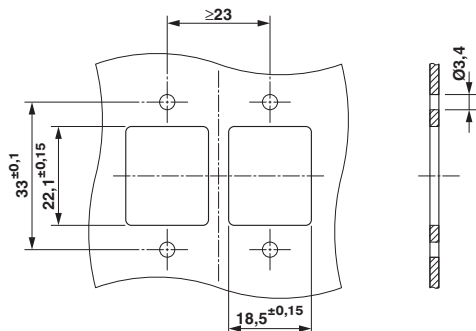
Environmental Product Compliance

China RoHS	Environmentally Friendly Use Period = 50
	For details about hazardous substances go to tab "Downloads", Category "Manufacturer's declaration"

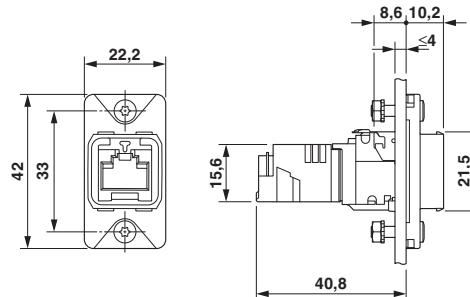
Drawings

Panel mounting frames - CUC-V14-F1ZNI-EM/R4F8 - 1413961

Drilling diagram



Dimensional drawing



Classifications

eCl@ss

eCl@ss 4.0	272607xx
eCl@ss 4.1	27260701
eCl@ss 5.0	27260701
eCl@ss 5.1	27260701
eCl@ss 6.0	27261207
eCl@ss 7.0	27440210
eCl@ss 8.0	27440210
eCl@ss 9.0	27440210

ETIM

ETIM 3.0	EC002310
ETIM 4.0	EC002310
ETIM 5.0	EC002310
ETIM 6.0	EC002310

UNSPSC

UNSPSC 6.01	31261501
UNSPSC 7.0901	31261501
UNSPSC 11	31261501
UNSPSC 12.01	31261501
UNSPSC 13.2	31261501

Approvals

Approvals

Approvals

cULus Recognized

Panel mounting frames - CUC-V14-F1ZNI-EM/R4F8 - 1413961

Approvals

Ex Approvals

Approval details

cULus Recognized		http://database.ul.com/cgi-bin/XYV/template/LISEXT/1FRAME/index.htm E335024-20160727
Nominal current I _N	0.175 A	
Nominal voltage U _N	56.5 V	

Accessories

Accessories

Data plug

RJ45 connector - CUC-V14-C1ZNI-S/R4P8 - 1422664



Push-pull connector (version 14), die-cast zinc, with RJ45 connector insert, 8-pos., with IDC fast connection technology, for 1 and 7-wire cores, 23 ... 22 AWG, for cable diameter of 5.5 mm ... 10 mm

RJ45 connector - CUC-V14-C1ZNI-B/R4P8 - 1422665



Push-pull connector (version 14), die-cast zinc, with RJ45 connector insert, 8-pos., with IDC fast connection technology, for 1 and 7-wire cores, 23 ... 22 AWG, for cable diameter of 5.5 mm ... 10 mm

RJ45 connector - CUC-V14-C1ZNI-T/R4P8 - 1422667



Push-pull connector (version 14), die-cast zinc, with RJ45 connector insert, 8-pos., with IDC fast connection technology, for 1 and 7-wire cores, 23 ... 22 AWG, for cable diameter of 5.5 mm ... 10 mm

Panel mounting frame

Panel mounting frames - CUC-V14-F1ZNI-EM/R4F8 - 1413961

Accessories

Screw set - CUC-V14-A-SCREW-M3:20 - 1413987



Screw set, M3 for panel mounting frames

Protective covers - CUC-V14-A1PBK-PC - 1413970



Protective covers, degree of protection: IP65/67

Protective covers - CUC-V14-A1RBK-PC - 1413985



Protective covers, degree of protection: IP65/67

Panel mounting frames - CUC-V14-A1ZNI-R45 - 1413988



45° adapter for panel mounting frames

Panel mounting frames - CUC-V14-A1ZNI-S180 - 1413989



Spacer for panel mounting frames

Panel mounting frames - CUC-V14-F1ZNI-EM/R4F8 - 1413961

Accessories

Strain relief - CUC-V14-A3ST-SR - 1413990



Strain relief, degree of protection: IP65/67, material: Stainless steel

Panel mounting frames - CUC-V14-A1PBK-BA:50 - 1413979



Holder for marking element

X-ON Electronics

Largest Supplier of Electrical and Electronic Components

Click to view similar products for [phoenix contact manufacturer](#):

Other Similar products are found below :

[1203259](#) [3240366](#) [1893300](#) [1212619](#) [1927221](#) [1936102](#) [1730573](#) [3240367](#) [1014246](#) [1014236](#) [1014240](#) [1014290](#) [1014293](#) [1806193](#)
[1823655](#) [1912825](#) [1842254](#) [1768260](#) [1716373](#) [1648030](#) [1579051](#) [1014235](#) [1014239](#) [1014229](#) [1212378](#) [2800744](#) [2867076](#) [3006564](#)
[2800741](#) [5146480](#) [1582539](#) [1623633](#) [1507793](#) [3025587](#) [3069708](#) [1431461](#) [1586976](#) [0311647](#) [1460160](#) [1771338](#) [3048387](#) [2814605](#)
[0309086](#) [1513716](#) [3035684](#) [5451417](#) [0202219](#) [1647747](#) [1730667](#) [1709267](#)