

M18™ FORCE LOGIC™ KNOCKOUT TOOL MODELS



M18™ FORCE LOGIC™ 10 Ton Knockout Tool
2676-20

Includes: 7/16" Draw Stud, 3/4" Draw Stud, Quick Connect Alignment System, Adapter, (2) M18™ REDLITHIUM™ XC Extended Capacity Battery Packs, M18™ and M12™ Multi-Voltage Charger and Carrying Case

M18™ FORCE LOGIC™ 10 Ton Knockout Tool Kit with 1/2" to 2" Punches and Dies 2676-22

Includes: 7/16" Draw Stud, 3/4" Draw Stud, Quick Connect Alignment System, EXACT™ 1/2" to 2" Conduit Punches and Dies, (2) M18™ REDLITHIUM™ XC Extended Capacity Battery Packs, M18™ and M12™ Multi-Voltage Charger and Carrying Case

M18™ FORCE LOGIC™ Knockout Tool Kit with 1/2" to 4" Punches and Dies 2676-23

Includes: 7/16" Draw Stud, 3/4" Draw Stud, 1-1/8" Draw Stud, Quick Connect Alignment System, EXACT™ 1/2" to 4" Conduit Punches and Dies, (2) M18™ REDLITHIUM™ XC Extended Capacity Battery Packs, M18™ and M12™ Multi-Voltage Charger and Carrying Case

HAND RATCHET AND ACCESSORY SETS



EXACT™ 1/2" to 2" Hand Ratchet Knockout Set
49-16-2694

Includes: Wrench, 3/8" and 3/4" Ball Bearing Draw Studs, EXACT™ 1/2" to 2" Conduit Punches and Dies, Grease Tube and Carrying Case

EXACT™ 1/2" to 1-1/4" Knockout Set
49-16-2692

Includes: 3/8" and 3/4" Ball Bearing Draw Studs, EXACT™ 1/2" to 1-1/4" Conduit Punches and Dies, and Carrying Case

EXACT™ 1/2" to 2" Knockout Set
49-16-2693

Includes: 7/16" and 3/4" Draw Studs, EXACT™ 1/2" to 2" Conduit Punches and Dies, and Carrying Case

EXACT™ 2-1/2" to 4" Knockout Set
49-16-2695

Includes: 1-1/8" Draw Stud, EXACT™ 2-1/2" to 4" Conduit Punches and Dies, and Carrying Case

EXACT™ PUNCHES, DIES, DRAW STUDS AND ADAPTERS

- Punches and Dies**
- 49-16-2660* 1/2" Die
 - 49-16-2660S 1/2" Die
 - 49-16-2661* 1/2" Punch
 - 49-16-2661S 1/2" Punch
 - 49-16-2662 3/4" Die
 - 49-16-2663 3/4" Punch
 - 49-16-2664 1" Die
 - 49-16-2665 1" Punch
 - 49-16-2666 1-1/4" Die
 - 49-16-2667 1-1/4" Punch
 - 49-16-2668 1-1/2" Die
 - 49-16-2669 1-1/2" Punch
 - 49-16-2670 2" Die
 - 49-16-2671 2" Punch
 - 49-16-2672 2-1/2" Die
 - 49-16-2673 2-1/2" Punch
 - 49-16-2674 3" Die
 - 49-16-2675 3" Punch
 - 49-16-2676 3-1/2" Die
 - 49-16-2677 3-1/2" Punch
 - 49-16-2678 4" Die
 - 49-16-2679 4" Punch
- *These items are intended only for Mild Steel.
- Draw Studs**
- 49-16-2621 3/8" Ball Bearing Draw Stud
 - 49-16-2622 3/4" Ball Bearing Draw Stud
 - 49-16-2680 7/16" Draw Stud
 - 49-16-2681 3/4" Draw Stud
 - 49-16-2682 1-1/8" Draw Stud
- Adapters**
- 49-16-2684 3/8" Adapter for EXACT™ 2-1/2" - 4" Dies to 3/4" Draw Studs
 - 49-16-2685 Adapter for M18™ FORCE LOGIC™ Knockout Tool to other major brands of punches and dies



WORLD LEADER IN CORDLESS INNOVATION



FASTEST GROWING 18V SYSTEM ON THE MARKET
50+ TOOLS

M18



Nothing but **HEAVY DUTY.**

THE EASIEST WAY TO PUNCH



NEW MILWAUKEE KNOCKOUT SYSTEM

ELFCO
9860 Clearvue Court
Mokena, IL 60448
Phone: 708.478.6464
Fax: 708.478.4499

UP TO 40% MORE RUN-TIME
20% MORE POWER
50% MORE RECHARGES

REDLITHIUM™

MILWAUKEE® KNOCKOUT SYSTEM THE EASIEST WAY TO PUNCH

Our Mentality

Each product within the Milwaukee® Knockout System was built on the principles of reducing the tedious steps of hole making, improving the speed of the process, and limiting the fatigue of the user. The result is a group of tools and accessories that redefine accuracy, durability, and productivity for the electrical contractor.

KNOCKOUT INNOVATIONS



- Punches and Dies**
- Rated for Both Mild and Stainless Steel
 - Improves Set-up and Slug Removal Speed
 - Compatible with Competitive Knockout Tools*



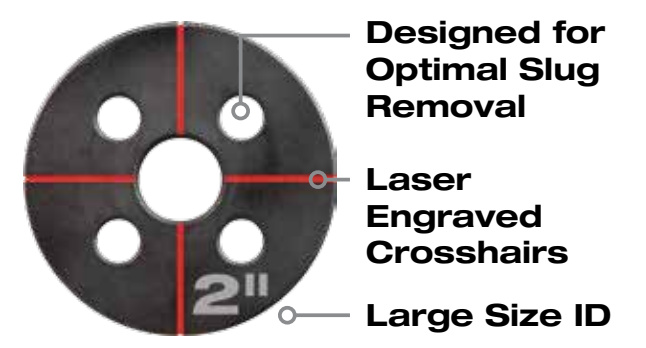
- Quick Connect Alignment System**
- Delivers the Easiest Set-up
 - Speeds Up Repetitive Punching
 - Enables Clearest View of the Work Surface



- Knockout Tools**
- Operates in Tighter Spaces
 - Reduces User Fatigue
 - Compatible with Competitive Punches and Dies**

EXACT™ PUNCHES AND DIES

Clearest Alignment in Mild and Stainless



- Designed for Optimal Slug Removal
- Laser Engraved Crosshairs
- Large Size ID



- Splits Slugs up to 1-1/2"
- Gripping Surface for Faster Threading

EXACT™ Dies and EXACT™ Punches can be used on mild and stainless steel. Must be used together for stainless capability.
*Dies sizes 2-1/2" - 4" must be used with adapter (model number 49-16-2684) for competitive compatibility.
**Dies sizes 2-1/2" - 4" must be used with adapter (model number 49-16-2685) for competitive compatibility.

MILWAUKEE® KNOCKOUT PROCESS

Every Step Made Faster and Easier



Step 1: Set up
Bold crosshairs and a clear view of the work surface make alignment fast and easy



Step 2: Connect
Grab the tool and snap it on to the quick connect alignment fast and easy



Step 3: Punch
Just pull the trigger to punch the hole with ease



Step 4: Repeat
Release from tool, drop out the slug with ease, and reset



M18™ FORCE LOGIC™ 10 TON KNOCKOUT TOOL HAND RATCHET

Punches 4" Mild and Stainless Steel

- Compact Right Angle Design**
Allows access into tight spaces



- Compatibility**
Works with all major brands of punches and dies**

- Powerful Hydraulic System**
Punch up to 4" holes in 12 gauge stainless steel

- 5 Degree Ratcheting**
Requires less clearance to punch



- 20% Longer Handle Than Competition**
Provides more punching leverage

- Rugged Overmold Handle**
Delivers superior comfort and grip



X-ON Electronics

Largest Supplier of Electrical and Electronic Components

Click to view similar products for [milwaukee](#) manufacturer:

Other Similar products are found below :

[48-22-6106](#) [48-22-0012](#) [48-89-1105](#) [48-22-6816](#) [48-32-1700](#) [48-22-6825](#) [48-32-4029](#)