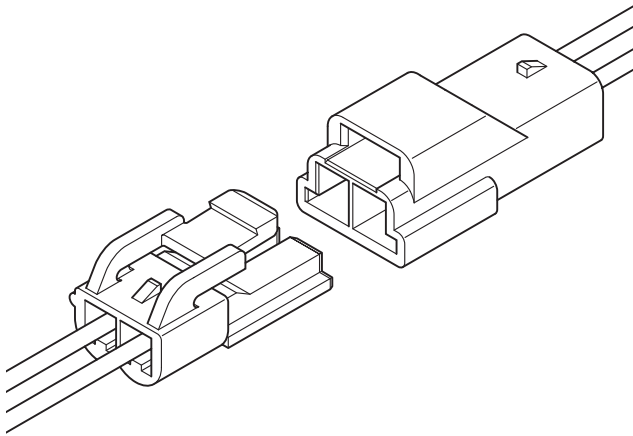




# YLN CONNECTOR

4.5mm pitch/Disconnectable Crimp style Wire-to-wire connectors



**The YLN connector adds variations in shape to the existing color variations of the YL connector in order to improve identification of connectors. Moreover, this connector has a mechanism to prevent incomplete mating by utilizing the inertial force generated when the plug and receptacle are mated and therefore, ensures complete mating.**

- Design to prevent incidental mating with the YL connector
- Inertial force mechanism
- Interchangeability
- Finger friendly design

## Specifications

- Current rating: 10A max. AC, DC  
(7A when retainers are mounted)
- Voltage rating: 300V max. AC, DC
- Temperature range: -25°C to +90°C  
(including temperature rise in applying electrical current)
- Contact resistance: Initial value/ 7m Ω max.  
After environmental testing/ 10m Ω max.
- Insulation resistance: 1,000M Ω min.
- Withstanding voltage: 1,500V AC/minute
- Applicable wire: AWG #26 to #16  
0.13 to 1.25mm<sup>2</sup>

- \* Compliant with RoHS.
- \* Refer to "General Instruction and Notice when using Terminals and Connectors" at the end of this catalog.
- \* Contact JST for details.

Note: The current rating differs depending on the number of circuits and the wire size used in each connector. The table below lists the current rating as a function of the number of circuits and the wire size.

Current unit : A

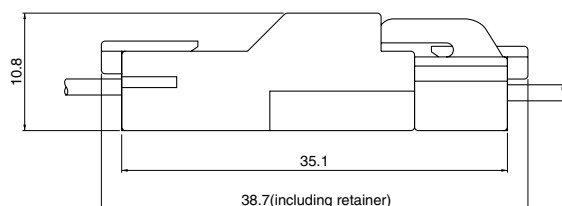
Circuits	Wire size (AWG)					
	#16	#18	#20	#22	#24	#26
2	10	7	5	4	3	2
3	9	6	4	4	3	2
4	9	6	4	4	3	2
6	8	5	3	3	2	2

Note: Secondary retainers cannot be used with AWG #16 wires.

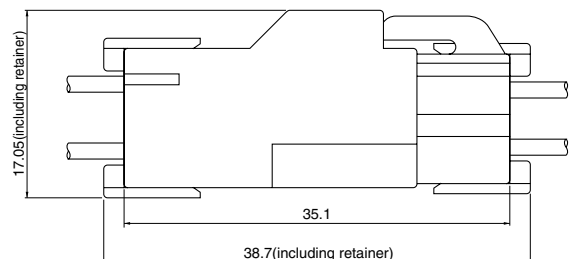
## Standards

- Recognized E60389
- Certified LR20812
- R9351052

(2, 3 circuits)

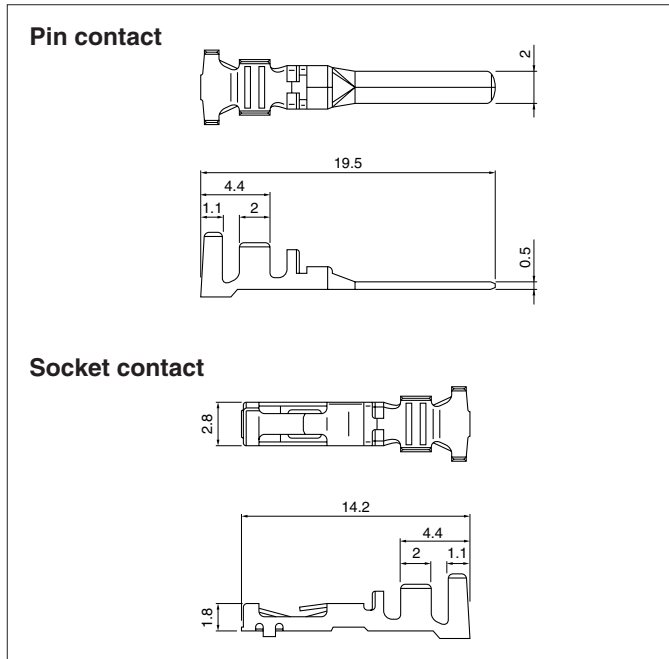


(4, 6 circuits)



# YLN CONNECTOR

## Contact



Model No.		Applicable wire		Insulation O.D. (mm)	Q'ty / reel
Pin contact	Socket contact	mm <sup>2</sup>	AWG #		
<b>SYM-01T-P0.5A</b>	<b>SYF-01T-P0.5A</b>	0.13~0.5	26~20	1.3~2.5	4,000 (SYM-01T-P0.5A) 5,000
<b>SYM-41T-P0.5A</b>	<b>SYF-41T-P0.5A</b>	0.5 ~1.25	20~16	2.0~3.4	
		0.3+0.3~ 0.5+0.5	22+22~ 20+20	1.5+1.5~ 2.0+2.0	

### Material and Finish

Phosphor bronze, tin-plated (reflow treatment)

### RoHS compliance

Note: 1. Contact JST for special products.

2. Retainers cannot be used with electric wire whose insulation O.D. exceeds 2.7mm and AWG #16.

Contact	Crimping machine	Applicator		
		Crimp applicator	Dies	Crimp applicator with dies
<b>SYM-01T-P0.5A</b>	AP-K2N	MKS-L	MK/SYF/M-01-05	APLMK SYF/M01-05
<b>SYF-01T-P0.5A</b>		*MKS-SC-YL	SC/SYF/M-01-05	APLSC SYF/M01-05
<b>SYM-41T-P0.5A</b>		MKS-L	MK/SYF/M-41-05	APLMK SYF/M41-05
<b>SYF-41T-P0.5A</b>		*MKS-SC-YL	SC/SYF/M-41-05	APLSC SYF/M41-05

Note: \*Strip-crimp applicator

## Housing

Material: Housing...PA 66, UL94V-0, natural (white)

Retainer...Glass-filled PA 66, UL94V-0, natural (ivory)

Circuits	Voltage rating	Current rating	Receptacle housing(for pin contact)	Plug housing(for socket contact)	Retainer
2	300V	7A (10A)	<b>YLN-02VF</b> 	<b>YLN-02V</b> 	<b>YLS-02V</b> (Used with both housings with 2 and 4 circuits) 
3	300V	6A (9A)	<b>YLN-03VF</b> 	<b>YLN-03V</b> 	<b>YLS-03V</b> (Used with both housings with 3 and 6 circuits) 
4	300V	6A (9A)	<b>YLN-04VF</b> 	<b>YLN-04V</b> 	<b>YLS-02V</b> (Used with both housings with 2 and 4 circuits) 
6	300V	5A (8A)	<b>YLN-06VF</b> 	<b>YLN-06V</b> 	<b>YLS-03V</b> (Used with both housings with 3 and 6 circuits) 

### RoHS compliance

Note: Current rating in parentheses is for use with AWG #16 wire. (Retainers are not mountable.)

## X-ON Electronics

Largest Supplier of Electrical and Electronic Components

*Click to view similar products for [Terminals](#) category:*

*Click to view products by [JST](#) manufacturer:*

Other Similar products are found below :

[HT-13-10](#) [71M-250-32-NB](#) [01-2065-1-0216](#) [00581P0075](#) [M10-10RX](#) [M10BCK](#) [60205-1](#) [604200-1](#) [60598-1-CUT-TAPE](#) [60617-1-C](#) [60873-1](#) [M14-516R/SK](#) [M14-6RSX](#) [M18-10FLX](#) [M18-8FBX](#) [M18-8R/LX](#) [M18BCK](#) [61314-6-C](#) [61-S](#) [61-SN-A](#) [62-NBM-A](#) [63-S](#) [640179-1](#) [640917-2-CUT-TAPE](#) [6501550002](#) [66107-2-C](#) [696683-1](#) [696834-1](#) [696861-1](#) [696931-1](#) [696999-1](#) [M8-516RK](#) [M86700006](#) [MA250DMFMX-A](#) [701-2007](#) [701-2307](#) [701-7761-03](#) [70F-110-32-PB](#) [718-N-A](#) [71M-187-20-NBL](#) [71M-250-32-NBL](#) [72F-187-20-NBL](#) [72M-250-32-NBL](#) [7310](#) [73F-250-32](#) [73F-250-32-NBL](#) [73F-250-32-NL](#) [F14-10C](#) [F-1M](#) [751-250](#)