

# XMLPM05GC21F

pressure transmitter -1..5bar - 4..20mA - G1/4A  
male - FPM - DIN



## Main

|                           |  |
|---------------------------|--|
| Range of product          | OsiSense XM  |
| Product or component type | Electronic pressure sensors  |
| Pressure sensor type      | Pressure transmitter   |
| Pressure sensor name      | XMLP   |
| Electrical circuit type   | Control circuit  |
| Pressure sensor size      | -1...5 bar   |
| Local display             | Without  |
| Controlled fluid          | Fresh water 0...125 °C<br>Air -15...125 °C<br>Gas -15...125 °C<br>Hydraulic oil -15...125 °C |
| Fluid connection type     | G 1/4A (male) conforming to DIN 3852-E   |
| Electrical connection     | 1 male connector EN 175301-803-A (ex DIN43650)<br>3 pins                                     |
| [Us] rated supply voltage | 12...24 V DC SELV, voltage limits: 7...33 V  |
| Current consumption       | < 23 mA  |
| Type of output signal     | Analogue   |
| Analogue output function  | 4...20 mA, 2-wire  |
| Quantity per set          | Set of 1   |
| Type of packing           | Individual   |

The information provided in this documentation contains general descriptions and/or technical characteristics of the performance of the products contained herein. This documentation is not intended as a substitute for and is not to be used for determining suitability or reliability of these products for specific user applications. It is the duty of any such user or integrator to perform the appropriate and complete risk analysis, evaluation and testing of the products with respect to the relevant specific application or use thereof. Neither Schneider Electric Industries SAS nor any of its affiliates or subsidiaries shall be responsible or liable for misuse of the information contained herein.

## Complementary

|   |  |
|---|--|
| Pressure setting range                  | -1...5 bar   |
| Maximum permissible accidental pressure | 15 bar   |
| Destruction pressure                    | 24 bar   |
| Materials in contact with fluid         | Ceramic<br>Stainless steel AISI 316L<br>Fluorocarbon FPM   |
| Operating position                      | Any position   |
| Protection type                         | Load short-circuit<br>Reverse polarity   |
| Electromagnetic compatibility           | Susceptibility to electromagnetic fields conforming to EN/IEC 61000-4-3 - test level 10 V/m (f = 80...1000 MHz)<br>Radiated RF fields conforming to EN/IEC 61000-4-6 - test level 10 V (f = 0.15...80 MHz)<br>Electrostatic discharge immunity test conforming to EN/IEC 61000-4-2 - test level 8 kV air, 4 kV contact<br>1.2/50 µs shock waves immunity test conforming to EN/IEC 61000-4-5 - test level 1 kV (f = 42 Ohm)<br>Immunity to magnetic fields conforming to EN/IEC 61000-4-8 - test level 100 A/m (f = 50 Hz)<br>Electrical fast transient/burst immunity test conforming to EN/IEC 61000-4-4 - test level 4 kV |
| [Uimp] rated impulse withstand voltage  | 0.5 kV   |
| Response time on output                 | <= 2 ms for 10...90 % of full scale  |
| Measurement accuracy                    | +/- 0.5 % of the measuring range   |
| Resolution                              | 0.1 % of the measuring range   |
| Drift of the sensitivity                | +/- 0.02 % of measuring range/°K   |
| Drift of the zero point                 | +/- 0.02 % of measuring range/°K   |
| Long term stability                     | +/- 0.25 % of the measuring range  |
| Mechanical durability                   | >= 10000000 cycles   |
| Product weight                          | 0.095 kg   |
| Diameter                                | 26 mm  |
| Length                                  | 55 mm  |

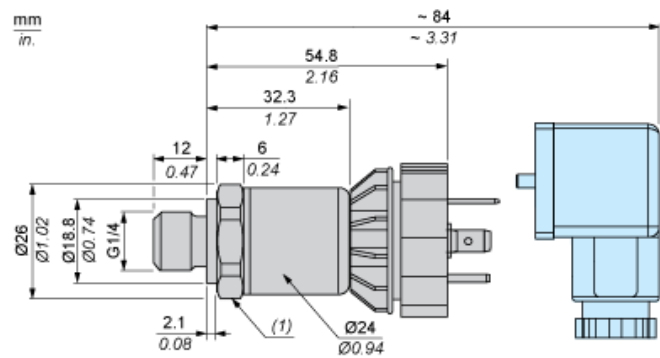
## Environment

|                                       |   |
|---------------------------------------|---|
| Standards                             | EN/IEC 61326-2-3<br>NSF ANSI 61                         |
| Product certifications                | CE<br>CULus<br>RCM<br>EAC                               |
| Ambient air temperature for operation | -30...85 °C   |
| Ambient air temperature for storage   | -50...100 °C  |
| Vibration resistance                  | 20 gn (f = 10...2000 Hz) conforming to EN/IEC 60068-2-6 |
| Shock resistance                      | 100 gn for 11 ms conforming to EN/IEC 60068-2-27        |
| IP degree of protection               | IP65 conforming to EN/IEC 60529                         |

## Offer Sustainability

|                                  |   |
|----------------------------------|---|
| Sustainable offer status         | Green Premium product   |
| RoHS (date code: YYWW)           | Compliant - since 1541 - <a href="#">Schneider Electric declaration of conformity</a> |
| REACH                            | Reference not containing SVHC above the threshold                                     |
| Product environmental profile    | Available   |
| Product end of life instructions | Need no specific recycling operations   |

Dimensions



(1) SW24 tightening torque  $\leq 25$  N.m / 221 lb-in

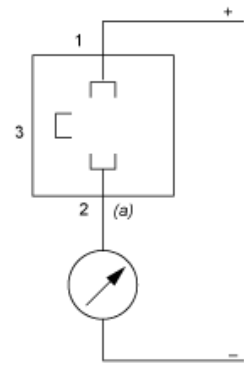
---

Connection and Schema

---

Wiring Diagram

2-Wire Technique (4-20 mA)



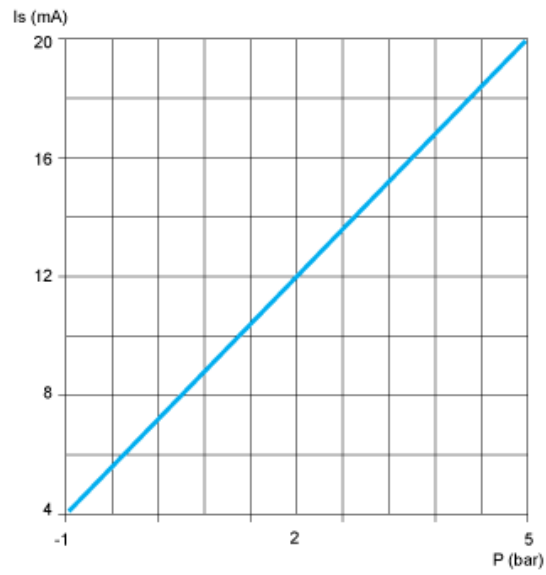
(a) I out

---

Performance Curves

---

Curves



## X-ON Electronics

Largest Supplier of Electrical and Electronic Components

*Click to view similar products for [telemecanique](#) manufacturer:*

Other Similar products are found below :

[9007CO54B2](#) [9007B3](#) [9007F4](#) [9007FA2](#) [AC118](#) [XCSSL784B3](#) [XCSTE5513](#) [XZCP0266L5](#) [XZCPV1965L5](#) [ZCKE67](#) [ZCPED44](#)  
[XZCPV1041L5](#) [XZCP29P12L2](#) [XUZASW006](#) [XUY40324](#) [XUX9APBNT16](#) [XCSPA793](#) [XCSDMP700L01M12](#) [XCSB703](#) [XCSA703](#)  
[ZCKY49](#) [VM1NNO](#) [XUB9BPANL2](#) [XS7G12NA140](#) [ZCKE675](#) [XS506BSCAL01M12](#) [XUFZ920](#) [XCMD2110L5](#) [XMLG010D21](#)  
[XUM9ANCNM8](#) [XU2S18PP340DR](#) [XCSPR553](#) [XCMN21F0L1](#) [9007C52G](#) [XSDH407339H7](#) [9007C54F](#) [XCSMP79L2](#) [ZCKD08](#) [XC1ZP4](#)  
[XS7C4A1MPG13](#) [XS918R4PAM12](#) [ZCKY31](#) [XCKP2545P16](#) [XUB9BPBNL2](#) [XCSDMP7005](#) [XCSDMP50010](#) [XY2CE1A290](#)  
[XCMD2111L1](#) [XMLP010BC71V](#) [XS208BLPAL2](#)