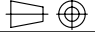
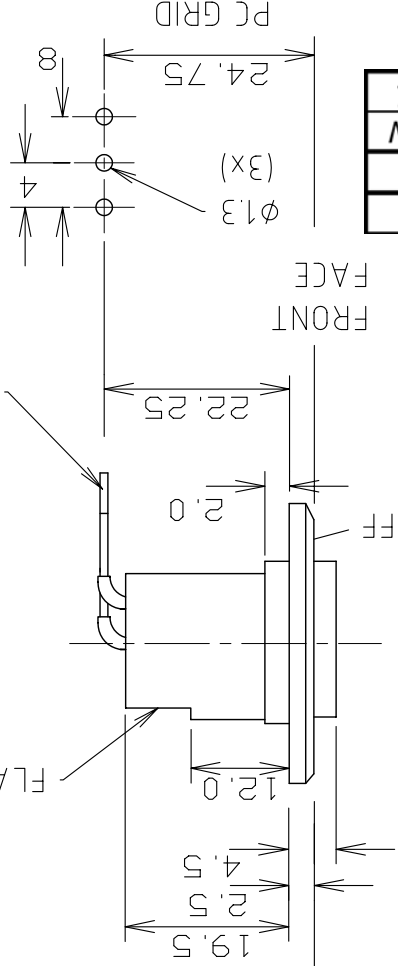
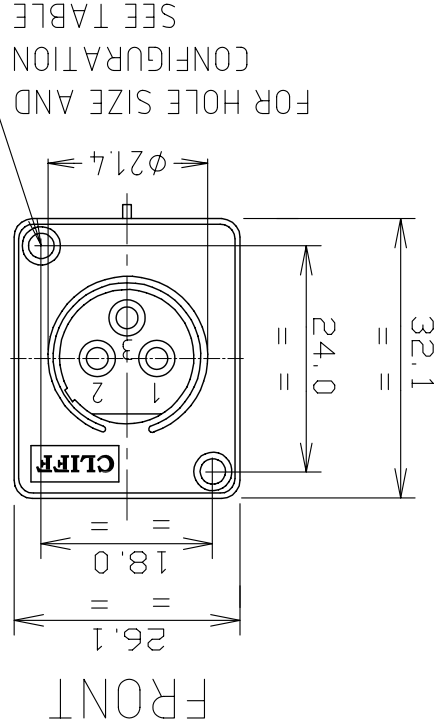


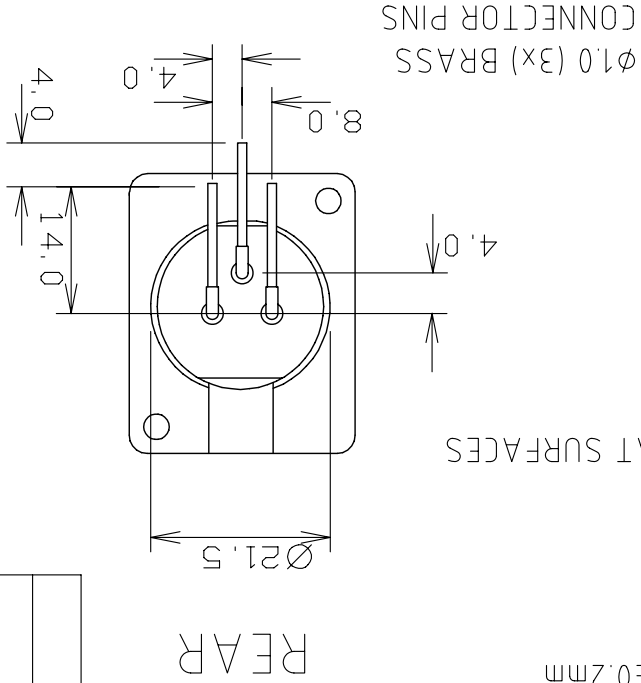
Cliff Electronic Components Ltd.
 76 Holmehorpe Avenue, Holmehorpe Industrial Estate,
 Redhill, Surrey, RH1 2PF, England, UK
 Tel: 01737-771375 Fax: 01737-766012 Website: www.cliffuk.co.uk
 TO A 3rd PARTY WITHOUT WRITTEN PERMISSION OF CLIFF UK. © 1990

VARIANTS			
PART No.	MODEL	HOLE SIZE	
CP30005	ACM/PC	TO SUIT M3 CSNK SCREW	
CP300051	XACM/PC	NO CSNK. Ø2.5mm HOLE	

Cliff Electronic Components Ltd.
 DIMENSIONS IN MILLIMETERS UNLESS OTHERWISE STATED, WORK TO DIMENSIONS, REMOVE ALL BURRS, IF IN DOUBT ASK.
 3rd ANGLE PROJECTION:  DO NOT SCALE
 MATERIAL: NYLON 66 / BRASS CZ131
 FINISH: AS MOULDED / SILVER PLATE 0.5µ
 APPROVED: R.W.T.
 DRWG. No. CP30005
 FORM: A4DRWGH



NOTE: PINS MUST NOT EXTEND BEYOND THIS LEVEL AND WILL BE IN LINE TO ±0.2mm



TOLERANCE
 NO DEC. PLACE ±0.20
 1 DEC. PLACE ±0.10
 2 DEC. PLACE ±
 HOLE Ø ±
 ANGLES ± 1/2°
 UNLESS OTHERWISE STATED
 DO NOT SCALE



ISS.	AMEND	DATE
1	REDRAWN	12/10/90
2	RS ADDED	01/02/91
3	NOTE ADDED	24/05/93
4	GOLD ADDED	24/03/95
5	CODE 63 WAS 62	29/03/95
6	ERROR CORRECT	23/05/95
7	DEL GOLD+RS VAR	03/12/12

X-ON Electronics

Largest Supplier of Electrical and Electronic Components

Click to view similar products for [cliff](#) manufacturer:

Other Similar products are found below :

[SRP1 BLACK](#) [CL1423](#) [CL1432](#) [CL159825BA](#) [CL19192RB](#) [CL2160B TP/6 CS](#) [CL-SFE/1 FILTERS](#) [HFRP-01](#) [S2/BBB \(CL1220A\)](#)
[CIH206011](#) [CL14218](#) [CP30117](#) [CP30214M](#) [FM686813](#) [CL11061 S1V/SBB](#) [CL11607](#) [CL12345](#) [CL1308G](#) [CL13106G](#) [CP22R](#) [CP30152](#)
[CP30211](#) [CP303011X](#) [CL1406](#) [CL15501A](#) [CL1572](#) [CL681561](#) [CP30173](#) [CP30176](#) [CP30178](#) [CP30179](#) [CP30180](#) [CP30500C](#) [CP30202M3](#)
[FCR1295](#) [FCR2065](#) [FCR7360B](#) [FM686816](#) [CIH29950](#) [CP30225SM](#) [CP30170](#) [CP30174](#) [CIH684216](#) [FW6190](#) [CP30182](#) [CP30184](#)
[CP30202M](#) [CIH3021](#) [CP30208NMB](#) [CP30222SMB](#)