

**PATLITE®**  
New Frontiers in Safety, Security and Comfort.



# **VSST** MANUAL CONTROL SIGNAL TOWER

IMPROVE PRODUCTIVITY IN ANY ENVIRONMENT

# VSST SERIES ROBUST AND INDUSTRIAL

The VSST Manually Controlled Andon Series features a robust, industrial grade switch box and a next generation LR LED Signal Tower with 1 to 5 light colors and up to 2 alarms for effective, real-time indication.

The VSST Series is delivered pre-assembled and ready for immediate installation and operation.

## APPLICATIONS:



WORK STATIONS



ASSEMBLY LINES

## FEATURES:

- Compatible with LR4-LR6 (40mm-60mm) Signal Towers
- Up to 5 LED light tiers with flashing and alarm capabilities
- Able to order any light color arrangement
- Able to select any light tier for flash\* setting - no re-wiring necessary
- Built-in wall mount
- Industrial material and construction
- Power adapter included

## EASY TO USE

- Continuous or Flashing\* lights
- Plays up to two audible alarms\*
- No re-wiring needed

\*Must purchase Signal Towers with flashing/buzzer functionality.

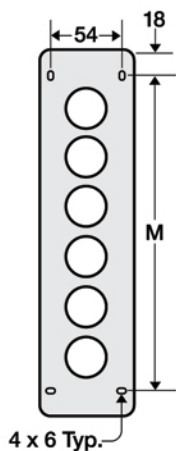
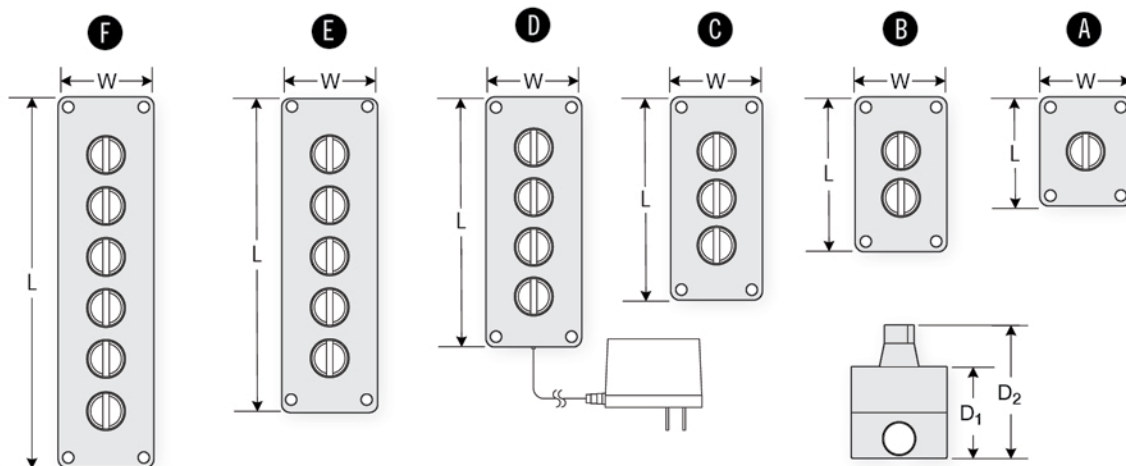


# SPECIFICATIONS AND DIMENSIONS

## LR LED Signal Towers Dimensions (mm)

No. of LED Modules	H without Buzzer	Switch Box	H with Buzzer	Switch Box
0	n/a	n/a	133	A
1	139	A	173	B
2	179	B	213	C
3	219	C	253	D
4	259	D	293	E
5	299	E	333	F

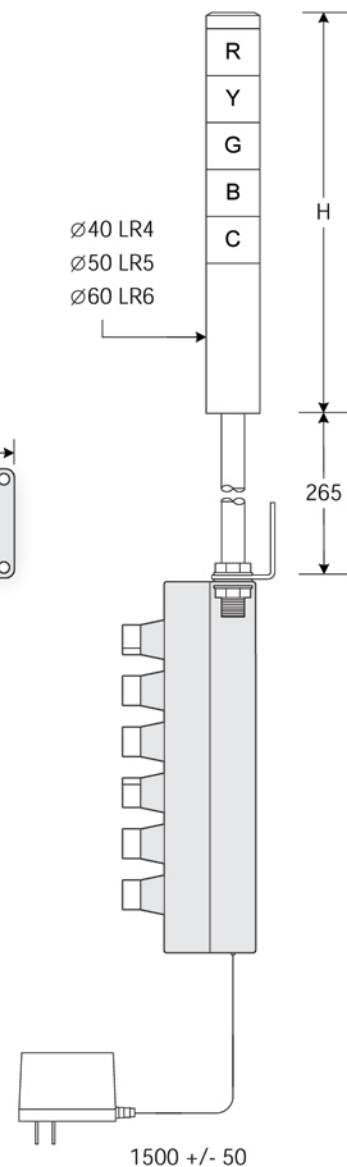
\* Must purchase Buzzer for LED flashing function. For VSST dimensions with flashing function, please see "H with Buzzer."



4 x 6 Typ.

Switch Box Dimensions (mm)

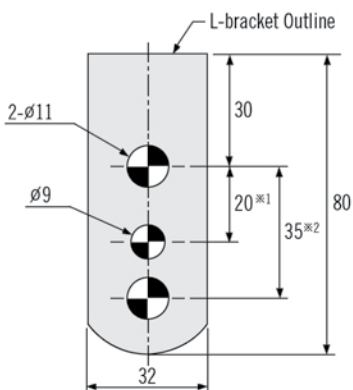
Switch Box	No. of Switches	W	L	M	D1	D2
A	1	68	78	42	64	91
B	2	68	111	75	64	91
C	3	68	151	115	64	91
D	4	71	186	150	68	95
E	5	71	236	240	68	95
F	6	71	276	240	68	95



### L-Bracket Mounting

Screw / Nut
※ 1 : M8x2 pcs.
※ 2 : M10x2 pcs.

Recommended Torque
12.2 N m



### HOW TO ORDER:

VSST - [ ] - [ ] 0 2 L J [ ] W - [ ]

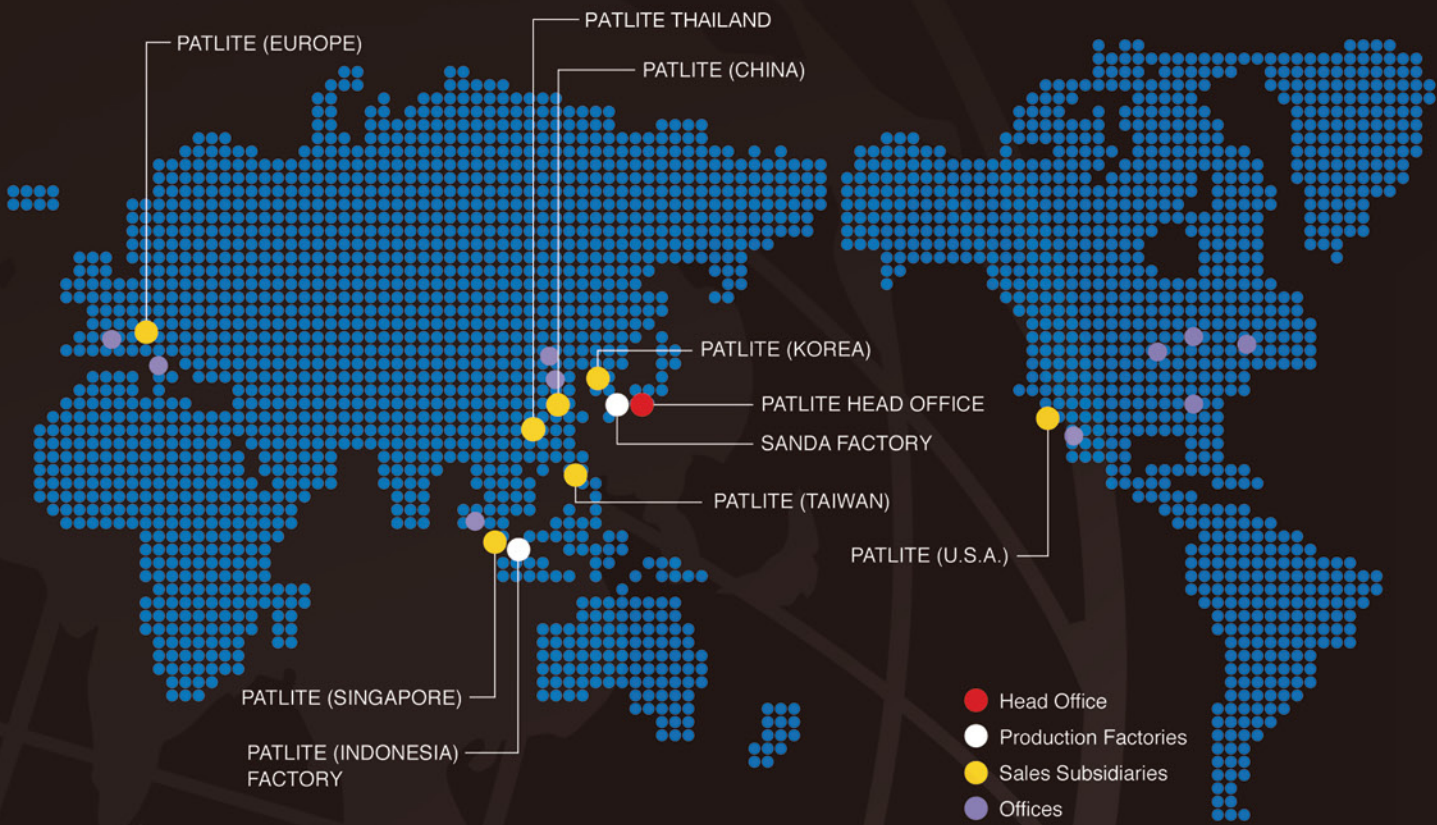
**SIGNAL TOWER:**  
LR4  
LR5  
LR6

**NUMBER OF TIERS:**  
1 to 5

**B:**  
Flashing /Buzzer

**N:**  
No Flashing /Buzzer

**COLORS:**  
from top to bottom (R,Y,G,B,C)



## **X-ON Electronics**

Largest Supplier of Electrical and Electronic Components

*Click to view similar products for [patlite](#) manufacturer:*

Other Similar products are found below :

[LR4-BU](#) [LR5-02PJNW](#) [LR5-102WJBW-Y](#) [LR5-102WJNW-R](#) [LR6-E-B](#) [NH-WST](#) [VSST-LR6-502LJBW-RYGBC](#) [MPS-302-RYG](#) [LR4-302LJBW-RYG](#) [LR5-02WTNU](#) [VSST-LR6-302LJBW-RYG](#) [VSST-LR6-302LJNW-RYG](#) [SZ-50L](#) [LR5-102WJNW-G](#) [LR6-02LJNW](#) [LR6-302LJNW-RYG](#) [LR6-302PJNW-RYG](#) [VSST-LR6-502LJNW-RYGBC](#) [LR6-02PJNW](#) [LR7-02WTNU](#) [BDV-15JF-K](#) [SZK-001U](#) [LR4-02QJNW](#) [LR4-02WJNW](#) [LR5-E-R](#) [BSV-24P-W](#) [CLA3S-24-CD](#) [LU7-E-B](#)