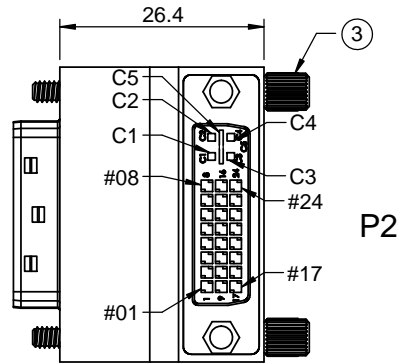
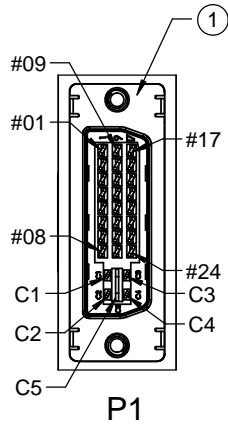
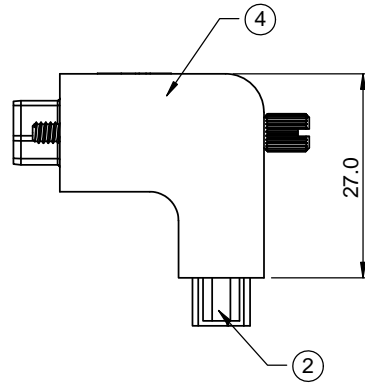


THE INFORMATION CONTAINED IN THIS DRAWING IS THE SOLE PROPERTY OF L-COM, INC. ANY REPRODUCTION IN PART OR WHOLE WITHOUT THE WRITTEN PERMISSION OF L-COM, INC. IS PROHIBITED.

REVISIONS			
REV	DESCRIPTION	DATE	APPROVED
A	INITIAL RELEASE	07/07/17	J.YOU



### PIN OUT

P1	P2	P1	P2
1	1	14	14
2	2	15	15
3	3	16	16
4	4	17	17
5	5	18	18
6	6	19	19
7	7	20	20
8	8	21	21
9	9	22	22
10	10	23	23
11	11	24	24
12	12	S	S
13	13		

### NOTES

#### Electrical Properties:

1. It should be no any open/short, miswiring and intermittent failures.
2. The cable shall be 100% electrical test.
3. Voltage test: DC 300V 10MS;  
Insulation resistance: 5.0M ohm/min;  
Conductance resistance: 5.0 ohm/max.

#### Machinery Character:

1. All dimension are "mm" except specified.
2. The cable should be clean, free of oiled/flash/burred.
3. Package: Individually packaged in a clear polybag.
4. Cable Ass'y shall be RoHS Compliant.

Item	DESCRIPTION	UNIT	QTY
4	Outer molded: 45P PVC, Color: Black.	G	10
3	Screw: 3.0*37.0MM(#4-40UNC), nickel plated.	PCS	2
2	P2 Conn:DVI(24+5)pin, female, with front screw, insulaton black, shell & pin gold flash.	PCS	1
1	P1Conn:DVI (24+5)pin, male, insulaton black, shell & pin gold flash.	PCS	1

UNLESS OTHERWISE SPECIFIED, DIMENSIONS ARE IN INCHES [mm]  DIMENSIONAL TOLERANCES: .X ± 1 [2.54] .XX ± 0.1 [.25] .XXX ± 0.05 [.13]  ANGULAR TOLERANCES: ANGLES: ±1°  PROJECTION 	APPROVALS DRAWN BY <b>J.YOU</b>	DATE 07/07/17	 	
	CHECKED BY <b>B.GATES</b>	07/07/17		CATEGORY AUDIO/VIDEO
	APPROVED BY <b>B.GATES</b>	07/07/17	PRODUCT DESCRIPTION DVI 24+5 M TO DVI F RA ADPT	
	CONFIGURATION DETAILS OF UNDIMENSIONED FEATURES MAY VARY	COLOR VARIATIONS MAY OCCUR	SIZE <b>A</b>	FSCM NO. <b>43321</b>
SCALE: NONE		CAD FILE: VIC00006.SLDDRW	DWG. NO. <b>VIC00006</b>	REV. <b>A</b>
			SHEET 1 OF 1	

## X-ON Electronics

Largest Supplier of Electrical and Electronic Components

*Click to view similar products for [l-com](#) manufacturer:*

Other Similar products are found below :

[FOA-550A](#) [UMC-201](#) [CSMN50MF-5](#) [CSMNB15MF-15](#) [TRD815RA2BL-5](#) [CA3A-90DA-1M](#) [CTLF3VGAMM-20](#) [HDCAMM-3](#)  
[U3A00007-05M](#) [U3A00014-03M](#) [CSMT15MF-10](#) [CSMT15MM-15](#) [CSMT15MM-25](#) [CSPL15MF-50](#) [CSPL25MF-25](#) [CSPL9MF-10](#)  
[CSPL9MF-5](#) [CSPL25MF-5](#) [CSPL25MF-2.5](#) [AL-IPEPS](#) [NB201611-10F-1](#) [TDG1026KC5-MNL](#) [NB121005-10F](#) [TRD855SRA6DBL-10M](#)  
[TRD855SRA7DBL-1M](#) [TRD855SRA7DBL-10M](#) [U2A00017-05M](#) [PR175SCDLCQ24](#) [TRG508-T4T-3M](#) [TRA5261-15F](#) [TRA5261S-1F](#)  
[TRA6261-1F](#) [USBBFT](#) [DGB25M](#) [HG2403RD-RSF](#) [CASATAL-18](#) [CSM25MM-10](#) [CSM37MF-10](#) [CSUSB-100](#) [CA3A-90RA-1M](#) [CA3A-](#)  
[90MICB-1M](#) [U2A00003-3M](#) [U3A00003-05M](#) [U2A00008-12I](#) [U3A00007-075M](#) [U3A00007-1M](#) [HGV-903U](#) [CSMT15MF-5](#)  
[CSMT15MM-50](#) [CSPL15MF-25](#)