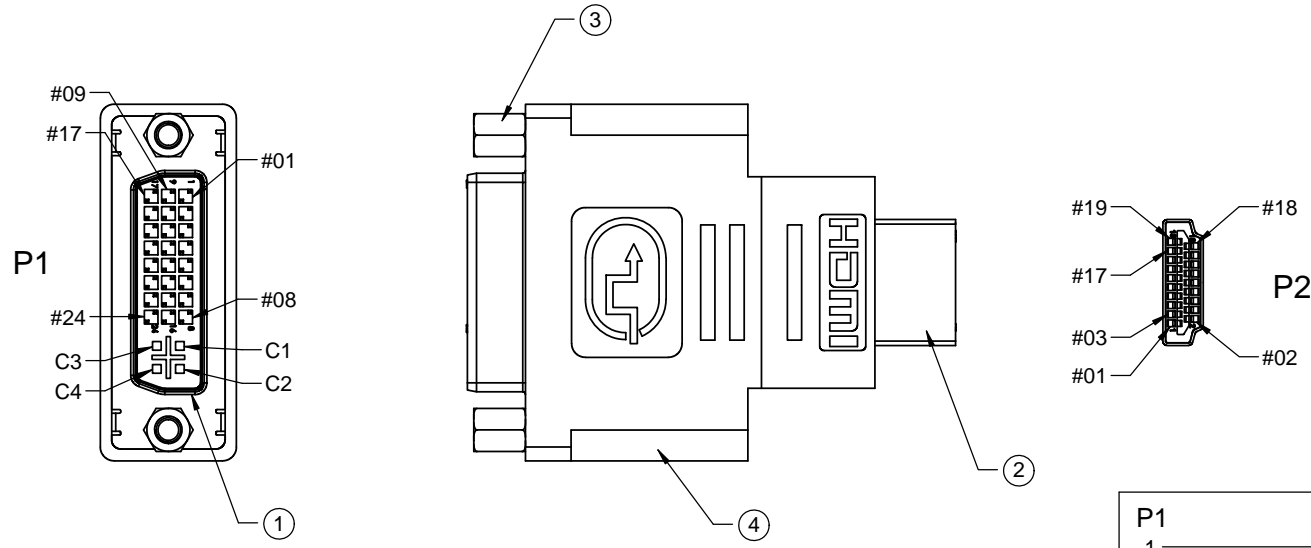


THE INFORMATION CONTAINED IN THIS DRAWING IS THE SOLE PROPERTY OF L-COM, INC. ANY REPRODUCTION IN PART OR WHOLE WITHOUT THE WRITTEN PERMISSION OF L-COM, INC. IS PROHIBITED.

REVISIONS			
REV	DESCRIPTION	DATE	APPROVED
A	INITIAL RELEASE	07/07/17	J.YOU



PIN OUT

P1	P2	P1	P2
1	1	16	16
2	2	17	17
3	3	18	18
4	4	19	19
5	5	20	20
6	6	21	21
7	7	22	22
8	8	23	23
9	9	24	24
10	10	C1	C1
11	11	C2	C2
12	12	C3	C3
13	13	C4	C4
14	14	C5	C5
15	15	S	S

NOTES

- Electrical Properties:**
1. It should be no any open/short, miswiring and intermittent failures.
 2. The cable shall be 100% electrical test.
 3. Voltage test: DC 300V 10MS;
Insulation resistance: 5.0M ohm/min
Conductance resistance: 5.0 ohm/max

- Machinery Character:**
1. All dimension are "mm" except specified.
 2. The cable should be clean, free of oiled/flash/burred.
 3. Package: individually packaged in a clear polybag.
 4. Cable Ass'y shall be RoHS Compliant.

Item	DESCRIPTION	UNIT	QT'Y
4	Outer molded: 45P PVC, Color:Black.	G	10
3	Screw: 3.0*37.0MM(#4-40UNC), nickel plated.	PCS	2
2	Conn: HDMI 19pin, male, insulaton black, pin gold flash.	PCS	1
1	P1Conn: DVI (24+5)pin, Female, insulaton black, shell & pin gold flash.	PCS	1

UNLESS OTHERWISE SPECIFIED, DIMENSIONS ARE IN INCHES [mm]	APPROVALS	DATE	 SuZhou[®] Electronic Co.,Ltd
	DRAWN BY J.YOU	07/07/17	
	CHECKED BY B.GATES	07/07/17	
	APPROVED BY B.GATES	07/07/17	
DIMENSIONAL TOLERANCES: .X ± 1 [2.54] .XX ± 0.1 [2.5] .XXX ± 0.05 [1.3]	CONFIGURATION DETAILS OF UNDIMENSIONED FEATURES MAY VARY		CATEGORY AUDIO/VIDEO
ANGULAR TOLERANCES: ANGLES: ±1°	COLOR VARIATIONS MAY OCCUR		PRODUCT DESCRIPTION ADPTR DVI24+5 M TO HDMI M
PROJECTION 	SIZE A	FSCM NO. 43321	DWG. NO. VIC00008
SCALE: NONE		CAD FILE: VIC00008.SLDDRW	REV. A
SHEET 1 OF 1			

X-ON Electronics

Largest Supplier of Electrical and Electronic Components

Click to view similar products for [l-com](#) manufacturer:

Other Similar products are found below :

[FOA-550A](#) [UMC-201](#) [CSMN50MF-5](#) [CSMNB15MF-15](#) [TRD815RA2BL-5](#) [CA3A-90DA-1M](#) [CTLF3VGAMM-20](#) [HDCAMM-3](#)
[U3A00007-05M](#) [U3A00014-03M](#) [CSMT15MF-10](#) [CSMT15MM-15](#) [CSMT15MM-25](#) [CSPL15MF-50](#) [CSPL25MF-25](#) [CSPL9MF-10](#)
[CSPL9MF-5](#) [CSPL25MF-5](#) [CSPL25MF-2.5](#) [AL-IPEPS](#) [NB201611-10F-1](#) [TDG1026KC5-MNL](#) [NB121005-10F](#) [TRD855SRA6DBL-10M](#)
[TRD855SRA7DBL-1M](#) [TRD855SRA7DBL-10M](#) [U2A00017-05M](#) [PR175SCDLCQ24](#) [TRG508-T4T-3M](#) [TRA5261-15F](#) [TRA5261S-1F](#)
[TRA6261-1F](#) [USBBFT](#) [DGB25M](#) [HG2403RD-RSF](#) [CASATAL-18](#) [CSM25MM-10](#) [CSM37MF-10](#) [CSUSB-100](#) [CA3A-90RA-1M](#) [CA3A-](#)
[90RMICB-1M](#) [U2A00003-3M](#) [U3A00003-05M](#) [U2A00008-12I](#) [U3A00007-075M](#) [U3A00007-1M](#) [HGV-903U](#) [CSMT15MF-5](#)
[CSMT15MM-50](#) [CSPL15MF-25](#)