

Category 8 Field Termination Plug



Category 8 Field Termination Plug (PESei)

This fully shielded Category 8 plug with zinc alloy housing offers easy, quick and reliable termination.

Features

- Performs to Category 8 for a permanent link of up to 24m as part of a channel of up to 30 m
- Compliant with IEC60512-99-001 – suitable for use with IEEE 802.3at (PoE+) applications
- Backwards compatible with Category 6A
- Easy assembly – suitable for field termination, especially Modular Plug Terminated Link installations
- Suitable for 23 - 26 AWG/ 0.40 – 0.57 mm stranded and solid cores
- Suitable for cable O.D. 7.0 to 8.5 mm

Specifications

- Weight: 24 grams
- Dimensions: 66.0 x 13.8 x 18.4 mm
- Colour: Silver

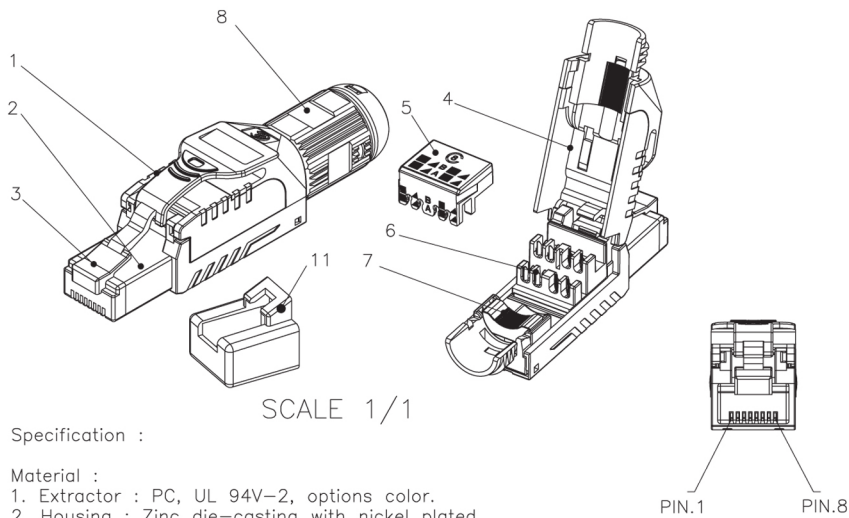
- Material:
Body: nickel-plated die-cast zinc
RJ45 contacts: 50 μ "/1.27 μ m gold-plated phosphor bronze
Tape: copper foil
- Supplied with dust cap and wire management bar

Packaging: Individually packed in poly bags, then in bags of 20

EAN Number: 5055386506535



ROHS Compliant



SCALE 1/1

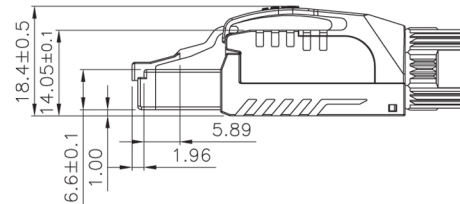
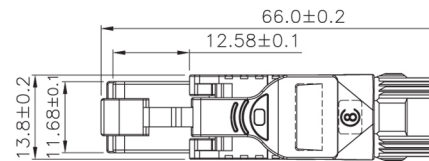
Specification :

Material :

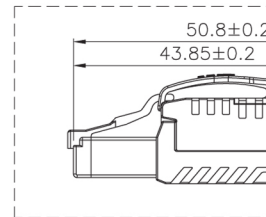
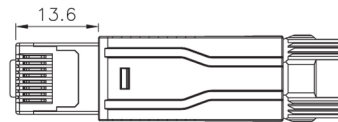
1. Extractor : PC, UL 94V-2, options color.
2. Housing : Zinc die-casting with nickel plated.
3. RJ45 plug :
 - 3-1. Housing : PC, UL 94V-2, black color.
 - 3-2. Contact material : Phosphor bronze with 100 micro-inch nickel plated.
 - 3-3. Contact finish : Min. 50 micro-inch gold plated on surface contact area.
4. Cover : Zinc die-casting with nickel plated.
5. Wire management bar : PC, UL 94-V2, white color.
6. IDC :
 - 6-1. Housing : PC, UL 94-V2, white color.
 - 6-2. Terminal : Titanium copper with tin plated.
7. Grounding contact : Zinc die-casting with nickel plated.
8. Boot :
 - 8-1. Housing : Zinc die-casting with nickel plated.
 - 8-2. SR : PC, UL 94V-2, transparent color.
 - 8-3. CAP : PC, UL 94V-2, blue(RAL5005) color.
9. PCB, UL 94-V0.
10. Copper foil tape.
11. Dust cap : PE, black color.

Performance :

- a. T568A & T568B wiring.
- b. Insertion force : 30N max. (IEC 60603-7-5).
- c. Retention strength : 7.7 kg between jack and plug.
- d. Operating temperature : -10°C to 60°C. (ISO/IEC TR 11801-9901, ANSI/TIA 568-C.2-1).
- e. Life(mating cycles) :
 - e-1. 750 cycles min. (ISO/IEC 11801, IEC 60603-7-5).
 - e-2. IDC : Suitable for 23-26AWG stranded and solid wire, min. 20 installation cycles.
- f. Suitable for cable jacket OD : 7.0-8.5mm.



PIN.1 PIN.8



X-ON Electronics

Largest Supplier of Electrical and Electronic Components

Click to view similar products for [tuk](#) manufacturer:

Other Similar products are found below :

[SP1YW](#) [SP0.5BL](#) [FJKPT](#) [SKMCBKDPM](#) [PXCAT6S8XL2](#) [OT45BK](#) [SP10GN](#) [SKFYW](#) [TSY](#) [PXSPDY6S#100](#) [PSPDY5#100](#) [PSDL-6#20](#)
[WJOL](#) [F78BKB](#) [FACK2BKDPM](#) [FJP2](#) [SKFBKDPM](#) [SPDL5BK](#) [SP10BK](#) [SKH1LJ](#) [PXSPDY5#10](#) [PSDL-5#100](#) [WJSG](#) [FJ445](#) [SP2GN](#)
[SLJBKDPM](#) [SILS](#) [SP5GN](#) [SGPZ10BK](#) [SGACK2SPM](#) [MGOP6](#) [PXSPDY6#10](#) [TRCSPDY3](#) [SKH4](#) [SGKSSU-45WH](#) [SP10BL](#) [SGPZ3BK](#)
[ADF](#) [CPR2](#) [SEKEI-45WH](#) [SGKH2](#) [TRCSPDYBP](#) [SP10YW](#) [KPJ2BK](#) [KH2](#) [KOCSM](#) [KPH1BK](#) [PXSPDY6#100](#) [KOCSMDPM](#) [SP1BK](#)