

Category 8 Keystone Socket



Category 8 shielded keystone socket (SEKei)

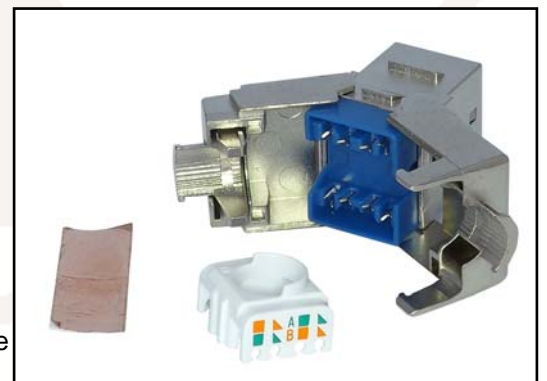
This zinc die-cast fully shielded Category 8 keystone socket offers a tool-less solution for short-run installations which need to perform to the new Category 8 standard.

Features

- Suitable for 0.51 – 0.65 mm/ 22 – 24 AWG stranded and solid wire
- Transmission performance in compliance with the ANSI/TIA 568-C.2-1 specifications for Category 8 cabling systems (i. e. suitable for runs of 5 – 30 metres)
- Provides quick and easy tool-less lever “butterfly style” termination
- Compatible with a wide range of panels, adaptors and faceplates
- Compliant with IEC60512-99-001 – suitable for use with IEEE 802.3at (PoE+) applications

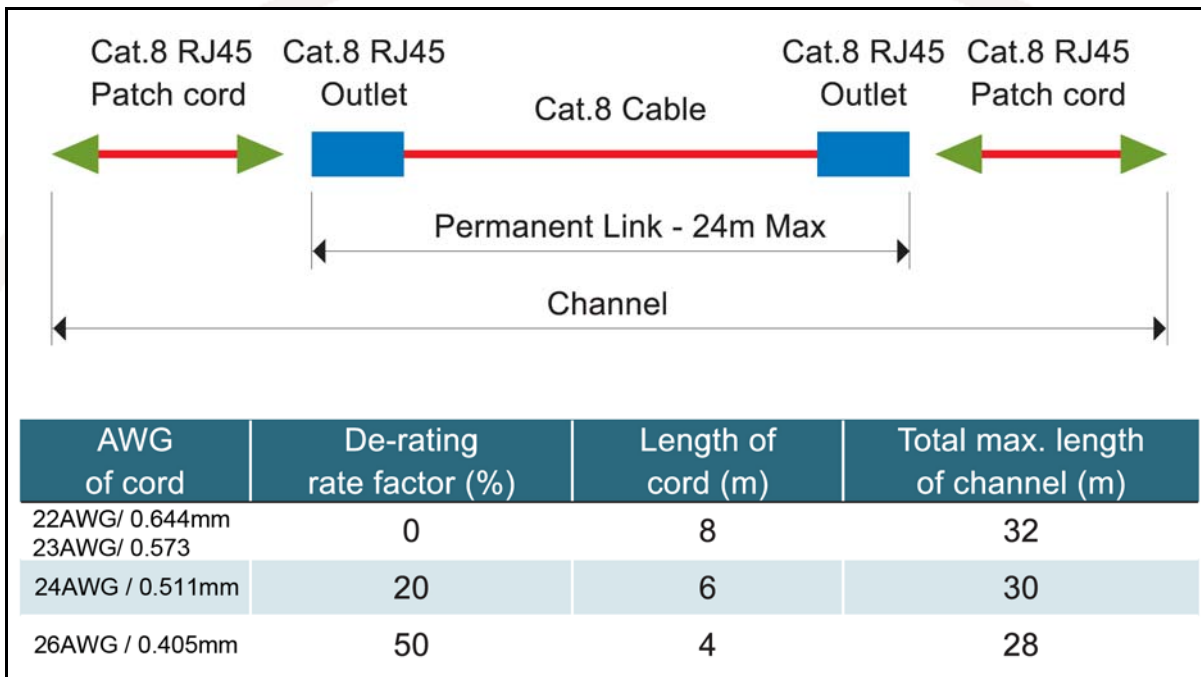
Specifications

- Weight: 28g (approx.)
- Dimensions: 41.6 x 22.5 x 16.5 mm
- Colour: Silver
- Materials:
 - Body: nickel-plated die-cast zinc
 - RJ45 contacts: 50µ"/1.27µm gold-plated phosphor bronze
 - IDC contacts: tin-plated phosphor bronze
 - Tape: copper foil
- Supplied with cable tie

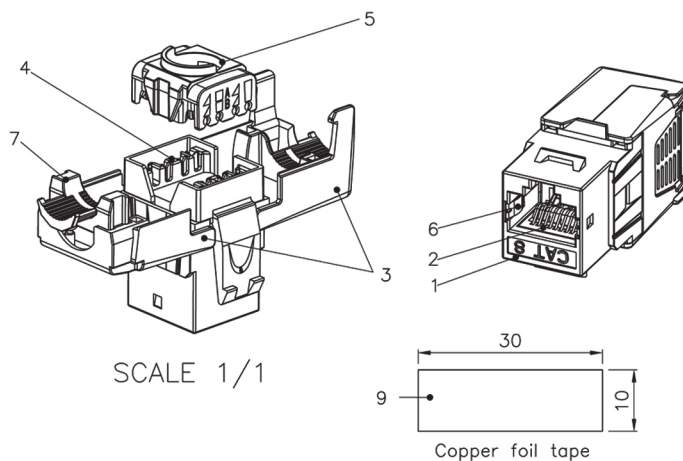


Packaging: individually packed in poly bags, then in a carton of 50

EAN Number: 5055386506528



ROHS Compliant



Specification :

Material :

1. RJ45 Jack :
 - 1-1. Housing : Zinc die-casting with nickel plated.
 - 1-2. Contact bracket : PC, UL 94-V2, transparent color.
2. RJ45 Jack contact :
 - 2-1. Material : Phosphor bronze with nickel plated.
 - 2-2. Finish : 50 micro-inch gold plated on plug contact area.
3. Cap A&B : Zinc die-casting with nickel plated.
4. IDC :
 - 4-1. Housing : PC, Blue(RAL 5005)color, UL 94-V2.
 - 4-2. Terminal : Phosphor bronze with tin plated.
5. Cap : PC+glass fiber, white color, UL 94-V2.
6. Grounding contact : Stainless steel.
7. Grounding contact block : Zinc die-casting with nickel plated.
8. PCB : UL 94V-0.
9. Copper foil tape.

Performance :

- a. T568A & T568B wiring.
- b. Insertion force : 30N max. (IEC 60603-7-5)
- c. Retention strength : 7.7 kg between Jack and Plug.
- d. Operating temperature : -10°C to 60°C. (ISO/IEC TR 11801-9901, ANSI/TIA 568-C.2-1).
- e. Life time :
 - e-1. Jack : 750 cycles min. (ISO/IEC 11801, IEC 60603-7-5)
 - e-2. IDC : Suitable for 22-24AWG stranded and solid wire, min. 20-installation cycles.
- f. The Cat 8 transmission performance is in compliance with the ANSI/TIA 568-C.2-1 standard.

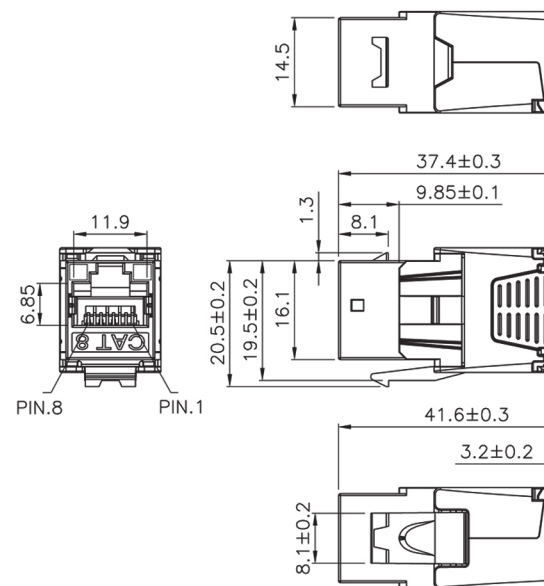
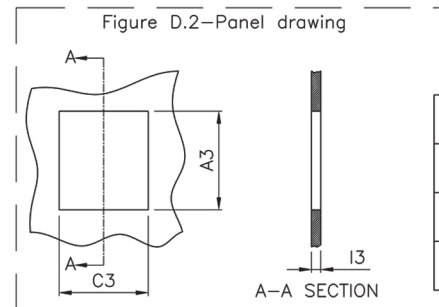


Figure D.2-Panel drawing



X-ON Electronics

Largest Supplier of Electrical and Electronic Components

Click to view similar products for [tuk](#) manufacturer:

Other Similar products are found below :

[SP1YW](#) [SP0.5BL](#) [FJKPT](#) [SKMCBKDPM](#) [PXCAT6S8XL2](#) [OT45BK](#) [SP10GN](#) [SKFYW](#) [TSY](#) [PXSPDY6S#100](#) [PSPDY5#100](#) [PSDL-6#20](#)
[WJOL](#) [F78BKB](#) [FACK2BKDPM](#) [FJP2](#) [SKFBKDPM](#) [SPDL5BK](#) [SP10BK](#) [SKH1LJ](#) [PXSPDY5#10](#) [PSDL-5#100](#) [WJSG](#) [FJ445](#) [SP2GN](#)
[SLJBKDPM](#) [SILS](#) [SP5GN](#) [SGPZ10BK](#) [SGACK2SPM](#) [MGOP6](#) [PXSPDY6#10](#) [TRCSPDY3](#) [SKH4](#) [SGKSSU-45WH](#) [SP10BL](#) [SGPZ3BK](#)
[ADF](#) [CPR2](#) [SEKEI-45WH](#) [SGKH2](#) [TRCSPDYBP](#) [SP10YW](#) [KPJ2BK](#) [KH2](#) [KOCSM](#) [KPH1BK](#) [PXSPDY6#100](#) [KOCSMDPM](#) [SP1BK](#)