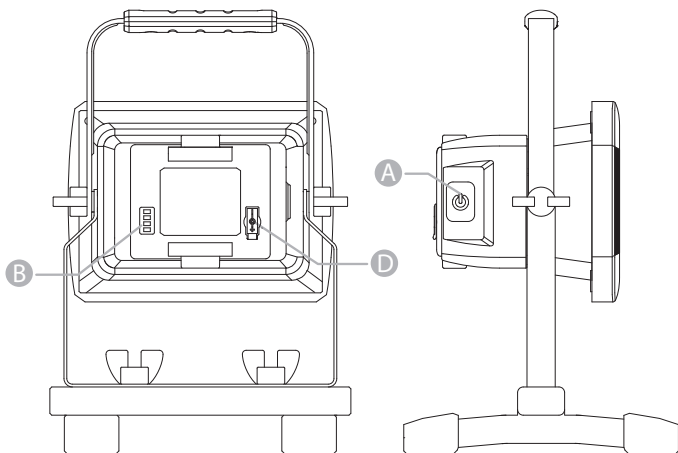
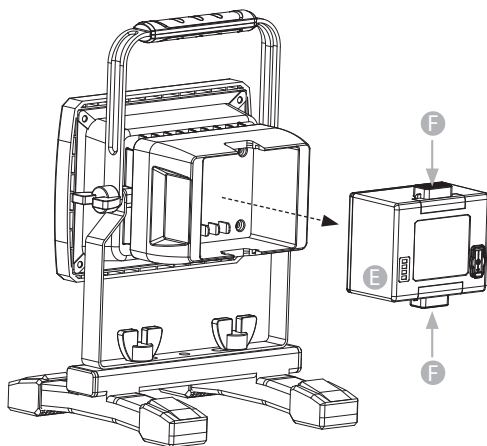


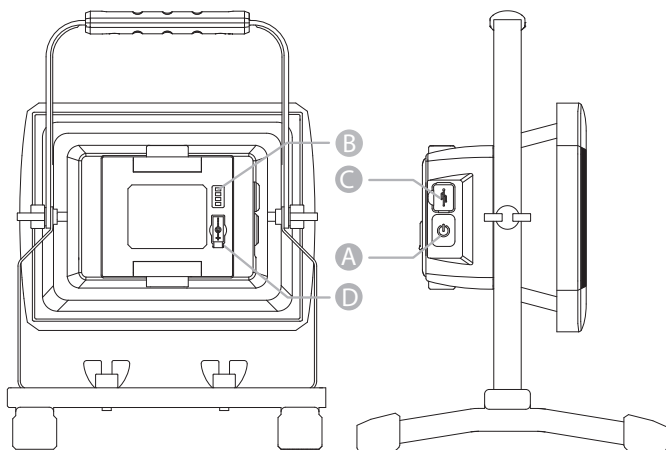
ML DA 1206 DE 3993 (I)



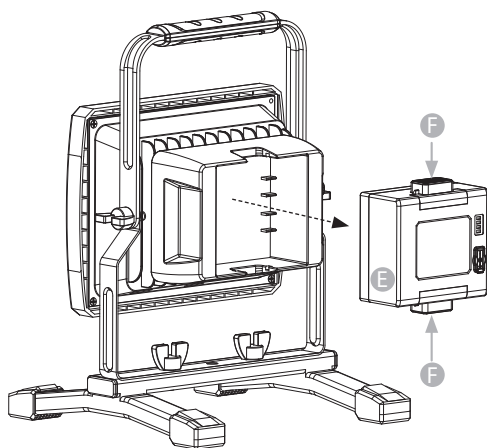
ML DA 1206 DE 3993 (II)



ML DA 2407 DE 3993 (I)



ML DA 2407 DE 3993 (II)



TECHNICAL SPECIFICATIONS:

Type description:	ML DA 1206 DE 3993	ML DA 2407 DE 3993
Output:	10 W	20 W
Rechargeable batteries:	Li-Ion 11.1 V, 2200 mAh	Li-Ion 11.1 V, 4400 mAh
Power adapter:		
Input power:	100-240 V ~ 50/60 Hz, max. 0.2 A	100-240 V ~ 50/60 Hz, max. 0.2 A
Output power:	15.0 V DC, 0.75 A	15.0 V DC, 1.5 A
Car charger cable:	12 V DC / max. 3 A	12 - 24 V DC / max. 3 A
Operating time:	approx. 3 hrs.	3 h (100%) or 6 h (50%)
Charging time:	approx. 3 - 4 hrs	approx. 3 hrs.
USB outlet:	not available	5 V, max. 1000 mA
Type of protection:	IP54	IP54
Protection class:	III	III
Temperature range:	-10 °C – +40 °C	-10 °C – +40 °C
Dimensions:	157 x 237 x 146 mm	211 x 289 x 205 mm
Weight:	1.0 kg	1.7 kg

(GB) Mobile Rechargeable SMD LED Light **ML DA 1206 DE 3993** **ML DA 2407 DE 3993**

SAFETY NOTES:

- Please read the user guide carefully before using the lamp and keep it for future reference.
- Prior to every use, check the lamp and power adapter for damage. Never use the lamp or power adapter if there is any damage. In this case, please contact an electrician or write to the service address provided by the manufacturer.

Non-compliance may result in risk to life due to electrical shock!

- Do not open the device.
The lamp does not contain any components that require maintenance. The LEDs cannot be replaced.
- Do not use the work lamp in explosive environments in which flammable liquids, gases or dusts are present.
Risk to life!
- Keep children away from the work light.
Children cannot estimate the risk of electric shock.
- The batteries must be charged with the included power supply or car charger cable only.
Using other power adapters or car charger cables may damage the batteries or result in an explosion!
- A damaged protective cover must be replaced with an original brennenstuhl® protective cover before the light can be used again.



- Unplug the light from the power supply and switch it off before cleaning.
- Do not look directly at the light to avoid being blinded.

INTENDED USE

This LED light is intended for general use as an indoor or outdoor light, for instance at home, on the campground, in the garage, etc.

SETTING UP AND TURNING ON THE LIGHT

Place the light on a dry, level surface. The tilt angle of the light can be adjusted. To do so, slightly loosen the screws on the side and move the lamp head into the desired position. Tighten the screws again.

SWITCHING THE LIGHT ON/OFF (I):

To turn the light on, press button (A) on the side.

Model ML DA 1206 DE 3993:

Pressing button (A) again switches the light off.

Model ML DA 2407 DE 3993: The light will shine at 50% brightness.

To switch to 100% brightness, press button (A) again.

Pressing button (A) again switches the light off.

BATTERY LEVEL INDICATOR:

Displays the current charging status of the battery, or, how much energy is still available. The battery level indicator (B) appears automatically when the light is switched on. During charging, the battery level indicator (B) displays the current battery level. If all 4 LEDs are lit, the battery is fully charged. If the battery is nearly empty the LED light flashes 5 times, and the battery level indicator (B) flashes continuously. The light will then remain on for approx. 10 minutes at 50% brightness, until the deep discharge protection switches the light off. This provides sufficient time to replace the battery or stop working.

CHARGING DEVICES WITH A USB CHARGING CABLE (E. G. SMARTPHONES):

only available on ML DA 2407 DE 3993!

Suitable for products with a charge current of max. 1000 mA.
Connect the device you wish to charge to the USB port (C) on the side of the light using a USB cable. After charging, put the cap back on.

CHARGING THE BATTERY:

- To ensure optimum functionality, we ensure completely discharging the battery during initial use and then fully charging it.
- The charging socket (D) is located under the end cap at the front of the battery.
- Use the battery level indicator (see description above) to determine the battery level.

If all 4 LEDs are lit, the battery is fully charged.

- Please note: If the light is switched on while charging with the included power supply or car charger cable the battery will stop charging.
- The battery can also be charged separately from the lamp, see also the "Replacing the battery" section.
- If the light is not used for an extended period of time the battery must be charged approximately every 3 months to ensure a long battery lifespan.
- After charging, make sure to close the charging port with the cap.

BATTERY REPLACEMENT (II):

The battery (E) is quick and easy to replace. Simply unfasten the two clips (F) at the top and bottom and remove the battery from below, see drawing. This way, the battery can be charged while continuing to work using a separately available replacement battery.

**MAINTENANCE:**

ATTENTION: The LED light does not contain parts that need servicing.

The LED light source in this lamp may only be replaced by the manufacturer or a service technician commissioned by the manufacturer or a comparably qualified person.

Never open the lamp when the mains supply cable is connected.

CAUTION: Risk of life due to electric shock!

CLEANING:

Do not use solvents, corrosive cleaners or the like.

Use a dry or slightly moist cloth for cleaning **ONLY**.

**Disposal****Do not dispose of electronic devices in the rubbish bin!**

In accordance with Directive 2012/19/EC on waste electrical and electronic equipment and corresponding national laws, used electrical equipment must be separated from other household waste and reused or recycled in an environmentally responsible manner. Contact your local authorities for information on where to take your used device for recycling.

**Improper disposal of batteries and rechargeable batteries can harm the environment!**

Batteries and rechargeable batteries do not belong in the household rubbish. They may contain toxic heavy metals and must be treated as hazardous waste. Take your used batteries and rechargeable battery packs to a communal collection point.

Manufacturer

Hugo Brennenstuhl GmbH & Co. KG
Seestraße 1 – 3 · D-72074 Tübingen

H. Brennenstuhl S.A.S.
4 rue de Bruxelles · F-67170 Bernolsheim

lectra-t ag
Blegistrasse 13 · CH-6340 Baar

Please visit the Service/FAQ section of our homepage,
www.brennenstuhl.com, for more information.

X-ON Electronics

Largest Supplier of Electrical and Electronic Components

Click to view similar products for [brennenstuhl](#) manufacturer:

Other Similar products are found below :

[1172900100](#) [1172900301](#) [1171263111](#) [1171253333](#) [1171263211](#) [1171433](#) [1171423](#) [1171253133](#) [1168460](#)