

Keithley Instruments, Inc.
28775 Aurora Road
Cleveland, Ohio 44139
1-888-KEITHLEY
<http://www.keithley.com>

Description

⚠ WARNING

The Model 2290-5 can contain hazardous voltages. Be certain that the high voltage is completely discharged before removing or connecting the high-voltage cable. High-voltage cables can store charge if they are disconnected from the supply while high voltage is turned on and can cause personal injury or death if not handled properly. Do not connect the HIGH-VOLTAGE output to exposed circuitry. Any load connected to the HIGH-VOLTAGE output should be enclosed in a metal shield that is connected to safety earth ground using #18AWG or larger wire.

The high-voltage 5 kV SHV male bulkhead connector is used to connect external equipment.

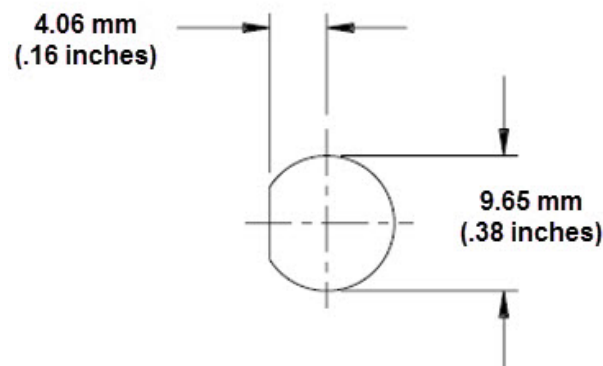
High-voltage installation:

1. Turn off power and allow all voltage to discharge.
2. Install the Model 2290-5-SHVBH SHV male bulkhead connector (see next figures).

Figure 1: Model 2290-5 SHV male bulkhead connector



Figure 2: Model 2290-5 SHV male bulkhead connector mounting dimensions



Characteristics

Nominal impedance	non-constant
Maximum operating voltage (RMS)	3500 RMS 5000 V DC
Insulation resistance	10E ⁶ MΩ
Temperature range	-65° C to 165° C (-85° F to +329° F)

Materials

- A. Bodies and fittings: brass, QQ-B-626, alloy 360, 1/2 hard
- B. Crimp sleeves: commercial bronze, alloy 220
- C. Male center contact: brass, QQ-B-626, alloy 360, 1/2 hard
- D. Outer contact: beryllium copper, ASTM-B-196
- E. Insulator: PTFE, ASTM D1457
- F. Gaskets and seals: silicone rubber, ZZ-R-765A, class IIA, grade 50
- G. Contact finish: .0001 inch minimum, hard gold plate, MIL-G-45204B

X-ON Electronics

Largest Supplier of Electrical and Electronic Components

Click to view similar products for [keithley](#) manufacturer:

Other Similar products are found below :

[2000/E](#) [6485/E](#) [2401](#) [2450-TLINK](#) [2290-5-SHV](#) [KTTI-TSP](#) [2260B-250-13](#) [ENCORE](#) [2220-30-1](#) [2280S-32-6](#) [2110-240](#) [2000-SCAN](#)
[DMM7510](#) [2231A-30-3](#) [4288-1](#) [7078-TRX-5](#) [USB-B-1](#) [7078-TRX-BNC](#) [7708](#) [7078-TRX-GND](#) [DMM6500](#)