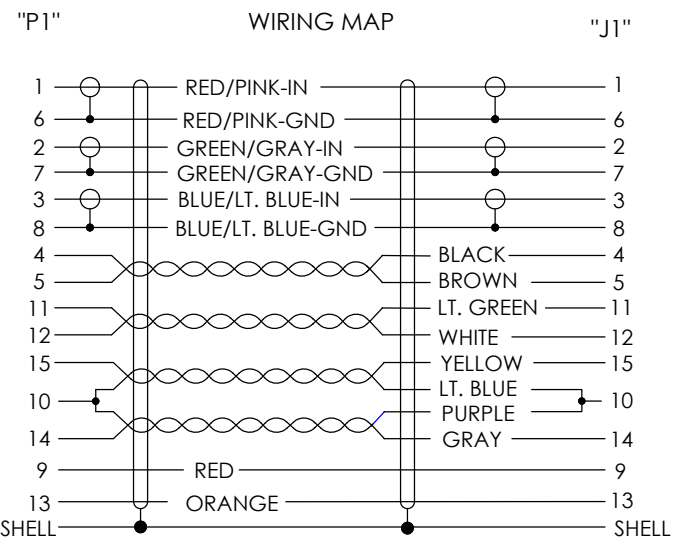
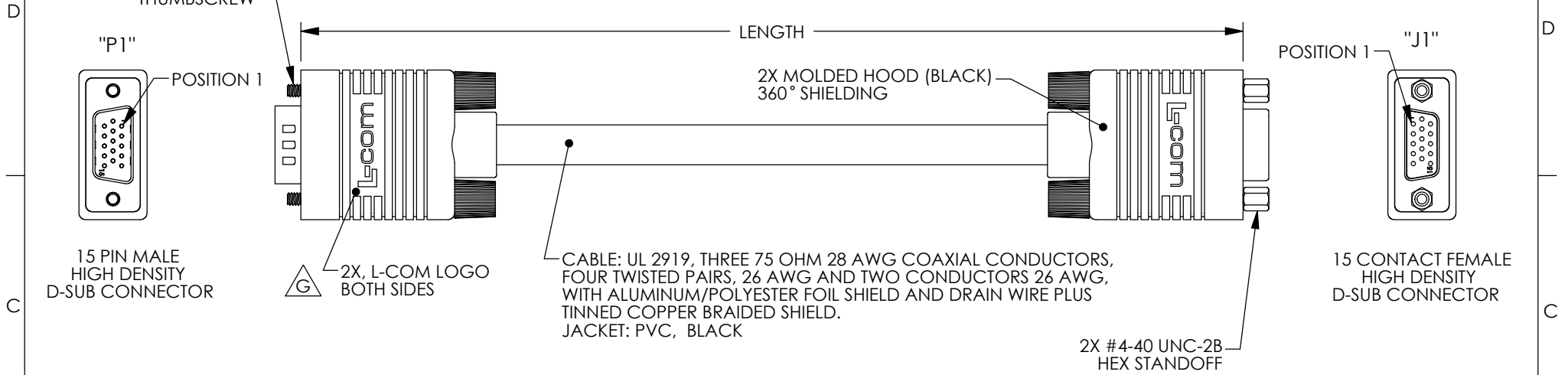


THE INFORMATION CONTAINED IN THIS DRAWING IS THE SOLE PROPERTY OF L-COM, INC. ANY REPRODUCTION IN PART OR WHOLE WITHOUT THE WRITTEN PERMISSION OF L-COM, INC. IS PROHIBITED.

RoHS Compliant ✓

REVISIONS			
REV	DESCRIPTION	DATE	APPROVED
E	ECN 3782: FIXED TWISTED PAIR IN WIRING MAP	1/06/09	D.CASTRO
F	ECN 4503: ADDED 3FT NEW LENGTH TO TABLE A	1/19/10	D.FRISIELLO
G	ECN 6779: REVISED L-COM LOGO, NEW FORMAT	4/9/13	D.FRISIELLO



PART NUMBER	LENGTH	
	FEET	METERS
CTL3VGAMF-3B	3.0	.91
CTL3VGAMF-5B	5.0	1.52
CTL3VGAMF-10B	10.0	3.05
CTL3VGAMF-20B	20.0	6.09
CTL3VGAMF-25B	25.0	7.62
CTL3VGAMF-50B	50.0	15.24
CTL3VGAMF-75B	75.0	22.86
CTL3VGAMF-100B	100.0	30.48
CTL3VGAMF-150B	150.0	45.72
CTL3VGAMF-200B	200.0	60.96

**NOTES:**  
 CABLE ASSEMBLY SHALL BE TESTED FOR CONTINUITY.  
 CABLE ASSEMBLY SHALL BE INDIVIDUALLY PACKAGED IN ACCORDANCE WITH L-COM SPECIFICATION PS-0031.

UNLESS OTHERWISE SPECIFIED, DIMENSIONS ARE IN INCHES [mm]

OVERALL CABLE LENGTH TOLERANCE:  
 $\leq 12$  [305] = +1 [25] / -0  
 $>12$  [305]  $\leq 60$  [1524] = +2 [51] / -0  
 $>60$  [1524]  $\leq 120$  [3048] = +4 [102] / -0  
 $>120$  [3048]  $\leq 300$  [7620] = +6 [152] / -0  
 $>300$  [7620] = +3% / -0%

ALL OTHER DIMENSIONAL TOLERANCES:  
 .X = ±.2  
 .XX = ±.02  
 .XXX = ±.005

PROJECTION

APPROVALS: DRAWN BY D PARHAM, CHECKED BY T CLARK, APPROVED BY R CARRICK. DATE: 4/23/2001, 5/15/2001, 5/21/2001.

CONFIGURATION DETAILS OF UNDIMENSIONED FEATURES MAY VARY

COLOR VARIATIONS MAY OCCUR

**L-com** Global Connectivity 45 BEECHWOOD DRIVE NORTH ANDOVER, MA 01845

CATEGORY: AUDIO/VIDEO

PRODUCT DESCRIPTION: CA SVGA HD15 M/HD15 F

SIZE: A FSCM NO.: 43321 DWG. NO.: CTL3VGAMF-B REV. G

SCALE: NONE CAD FILE: CTL3VGAMF-B.SLDDRW SHEET 1 OF 1

## X-ON Electronics

Largest Supplier of Electrical and Electronic Components

*Click to view similar products for [l-com](#) manufacturer:*

Other Similar products are found below :

[FOA-550A](#) [UMC-201](#) [CSMN50MF-5](#) [CSMNB15MF-15](#) [TRD815RA2BL-5](#) [CA3A-90DA-1M](#) [CTLF3VGAMM-20](#) [HDCAMM-3](#)  
[U3A00007-05M](#) [U3A00014-03M](#) [CSMT15MF-10](#) [CSMT15MM-15](#) [CSMT15MM-25](#) [CSPL15MF-50](#) [CSPL25MF-25](#) [CSPL9MF-10](#)  
[CSPL9MF-5](#) [CSPL25MF-5](#) [CSPL25MF-2.5](#) [AL-IPEPS](#) [NB201611-10F-1](#) [TDG1026KC5-MNL](#) [NB121005-10F](#) [TRD855SRA6DBL-10M](#)  
[TRD855SRA7DBL-1M](#) [TRD855SRA7DBL-10M](#) [U2A00017-05M](#) [PR175SCDLCQ24](#) [TRG508-T4T-3M](#) [TRA5261-15F](#) [TRA5261S-1F](#)  
[TRA6261-1F](#) [USBBFT](#) [DGB25M](#) [HG2403RD-RSF](#) [CASATAL-18](#) [CSM25MM-10](#) [CSM37MF-10](#) [CSUSB-100](#) [CA3A-90RA-1M](#) [CA3A-](#)  
[90MICB-1M](#) [U2A00003-3M](#) [U3A00003-05M](#) [U2A00008-12I](#) [U3A00007-075M](#) [U3A00007-1M](#) [HGV-903U](#) [CSMT15MF-5](#)  
[CSMT15MM-50](#) [CSPL15MF-25](#)