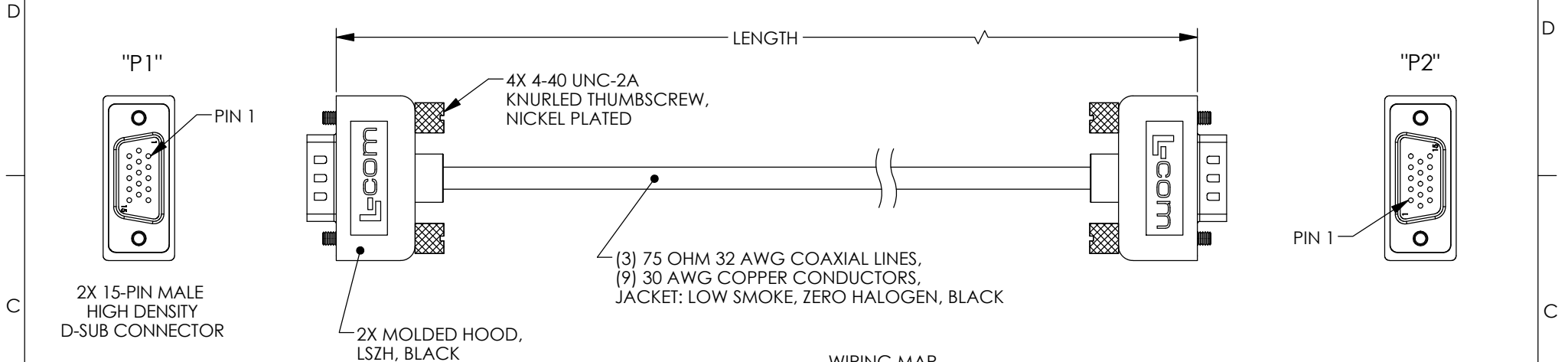


THE INFORMATION CONTAINED IN THIS DRAWING IS THE SOLE PROPERTY OF L-COM, INC. ANY REPRODUCTION IN PART OR WHOLE WITHOUT THE WRITTEN PERMISSION OF L-COM, INC. IS PROHIBITED.

| REVISIONS | | | |
|-----------|--|---------|-------------|
| REV | DESCRIPTION | DATE | APPROVED |
| E | ECN 6807: REVISED L-COM LOGO'S, NEW FORMAT, REVISED PACKAGING | 4/18/13 | D.FRISIELLO |
| F | ECN 7355: REVISED POSITION OF PIN 1 CALL OUTS, ROHS NOTE, FORMAT | 3/25/14 | D.FRISIELLO |
| G | ECN 7693: CHANGED GREEN COAX TO YELLOW COAX | 12/1/14 | D.FRISIELLO |

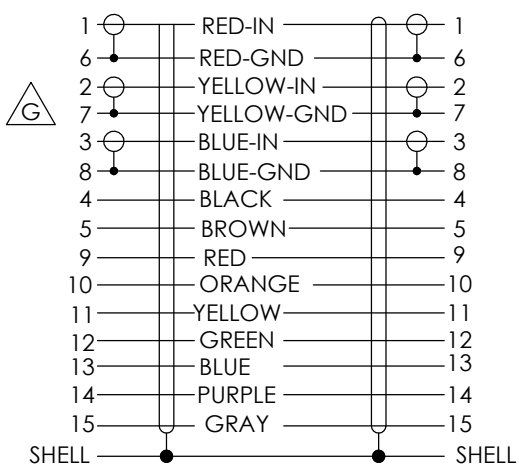


NOTES:

1. CABLE ASSEMBLY SHALL BE TESTED FOR CONTINUITY.
2. CABLE ASSEMBLY SHALL BE INDIVIDUALLY PACKAGED IN ACCORDANCE WITH L-COM SPECIFICATION PS-0031.

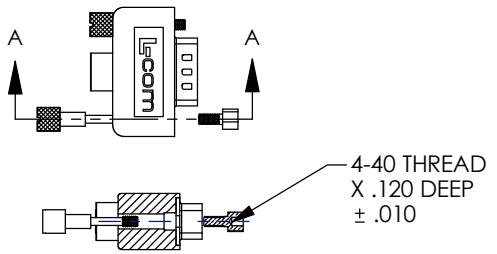
REGULATORY COMPLIANCE:
CE2011/65/EU(RoHS DIRECTIVE)

WIRING MAP



| MODEL NUMBER | LENGTH FEET [METERS] |
|----------------|----------------------|
| CTL3VGAMM-5TZ | 5.0 [1.52] |
| CTL3VGAMM-10TZ | 10.0 [3.05] |
| CTL3VGAMM-15TZ | 15.0 [4.57] |
| CTL3VGAMM-25TZ | 25.0 [7.62] |
| CTL3VGAMM-50TZ | 50.0 [15.24] |

MOUNTING HARDWARE DETAIL



SECTION A-A
SCALE 1 : 2

CABLES ARE SHIPPED WITH THUMBSCREWS INSTALLED AND FOUR HEX SCREW LOCKS FOR OPTIONAL USE. THUMBSCREWS MAY BE REMOVED EASILY AND THE HEX SCREW LOCKS MOUNTED IN THE CAPTIVE NUTS OF THE CONNECTOR.

| | | | | |
|---|--|----------------------------|--|--|
| UNLESS OTHERWISE SPECIFIED, DIMENSIONS ARE IN INCHES [mm] OVERALL CABLE LENGTH TOLERANCE: ≤12 [305] = +1 [25] / -0 >12 [305] ≤60 [1524] = +2 [51] / -0 >60 [1524] ≤120 [3048] = +4 [102] / -0 >120 [3048] ≤300 [7620] = +6 [152] / -0 >300 [7620] = +5% / -0% | APPROVALS | DATE | | 45 BEECHWOOD DRIVE NORTH ANDOVER, MA 01845 |
| | DRAWN BY D.PARHAM | 07/14/2005 | | |
| ALL OTHER DIMENSIONAL TOLERANCES: .X = ± .2 [5.08] .XX = ± .02 [1.51] .XXX = ± .005 [1.13] | CHECKED BY M.LAHEY | 08/10/2005 | CATEGORY AUDIO/VIDEO | |
| | APPROVED BY C.MCCORMICK | 08/10/2005 | PRODUCT DESCRIPTION SVGA HD15M/M SUPR-THN LSZH | |
| PROJECTION | CONFIGURATION DETAILS OF UNDIMENSIONED FEATURES MAY VARY | COLOR VARIATIONS MAY OCCUR | SIZE A | FSCM NO. 43321 |
| | | | DWG. NO. CTL3VGAMM-TZ | REV. G |
| | | | SCALE: NONE | CAD FILE: CTL3VGAMM-TZ.SLDRW |
| | | | SHEET 1 OF 1 | |

X-ON Electronics

Largest Supplier of Electrical and Electronic Components

Click to view similar products for [l-com](#) manufacturer:

Other Similar products are found below :

[FOA-550A](#) [UMC-201](#) [CSMN50MF-5](#) [CSMNB15MF-15](#) [TRD815RA2BL-5](#) [CA3A-90DA-1M](#) [CTLF3VGAMM-20](#) [HDCAMM-3](#)
[U3A00007-05M](#) [U3A00014-03M](#) [CSMT15MF-10](#) [CSMT15MM-15](#) [CSMT15MM-25](#) [CSPL15MF-50](#) [CSPL25MF-25](#) [CSPL9MF-10](#)
[CSPL9MF-5](#) [CSPL25MF-5](#) [CSPL25MF-2.5](#) [AL-IPEPS](#) [NB201611-10F-1](#) [TDG1026KC5-MNL](#) [NB121005-10F](#) [TRD855SRA6DBL-10M](#)
[TRD855SRA7DBL-1M](#) [TRD855SRA7DBL-10M](#) [U2A00017-05M](#) [PR175SCDLCQ24](#) [TRG508-T4T-3M](#) [TRA5261-15F](#) [TRA5261S-1F](#)
[TRA6261-1F](#) [USBBFT](#) [DGB25M](#) [HG2403RD-RSF](#) [CASATAL-18](#) [CSM25MM-10](#) [CSM37MF-10](#) [CSUSB-100](#) [CA3A-90RA-1M](#) [CA3A-](#)
[90MICB-1M](#) [U2A00003-3M](#) [U3A00003-05M](#) [U2A00008-12I](#) [U3A00007-075M](#) [U3A00007-1M](#) [HGV-903U](#) [CSMT15MF-5](#)
[CSMT15MM-50](#) [CSPL15MF-25](#)