

# Terminal Block Screwless 20.3301M/xx-E

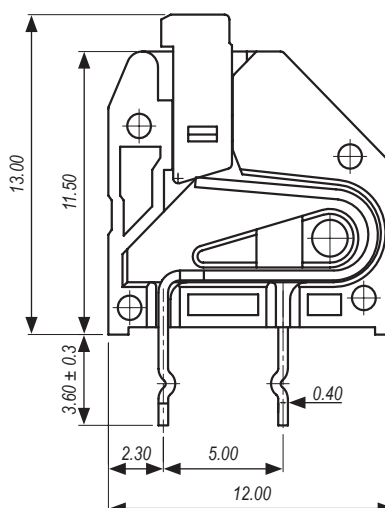
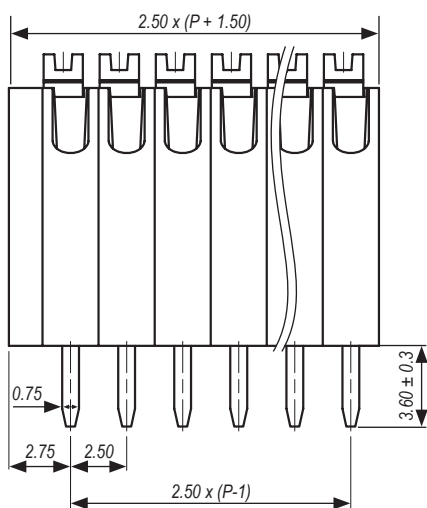
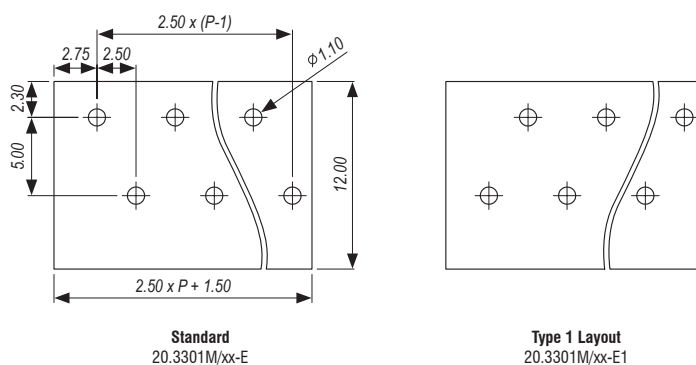
- 300V 4A UL
- UL94-V0
- PA66
- 2.50mm Pin Pitch
- RoHS Compliant
- xx = Number of Poles (available from 2~24 poles)



## Technical Data

<b>Pitch</b>	2.50mm
<b>UL Rating</b>	300V 4Amps
<b>IEC Rating</b>	250V 6Amps
<b>Solder Pin</b>	Brass, Tin Plated
<b>Wire Range</b>	28-20AWG (0.5mm <sup>2</sup> )
<b>PCB Hole Diameter</b>	1.1mm
<b>Screw</b>	n/a
<b>Screw Torque</b>	n/a
<b>Insulation Voltage</b>	AC2000V / 1 Min
<b>Initial Contact Resistance</b>	20mΩ
<b>Insulation Resistance</b>	500MΩ / DC500V
<b>Temperature Range</b>	-40 to +105°C
<b>Max Soldering</b>	+250°C for 5 sec

## PCB Layout



Dimensions shown in mm P = No of Poles

Supplied in grey as standard  
Other colour options and printing may be available depending upon quantity  
Please contact IMO for further information

## X-ON Electronics

Largest Supplier of Electrical and Electronic Components

*Click to view similar products for imo manufacturer:*

Other Similar products are found below :

[20.155MV/12-E](#) [MC14N-S-10110AC](#) [MB09-S-10=24](#) [DPS-1-030-24](#) [SRF-1C-SL-12VDC](#) [MB09-S-1024](#) [LDC18RRS](#) [SFSYE0111](#)  
[21.1500M/6-E](#) [20.3304M/2-E](#) [21.910M/5-E](#) [20.95MA/2-E](#) [21.95MHF/2-E](#) [PE69-4032](#) [DPS-1-060-24](#) [CS20A-A2](#) [CS20A-U1](#) [VFC02](#)  
[MSSTC11DA06](#) [20.95MHF/3-E](#) [B3T10](#) [XKL-040-21](#) [20.3304M/4-E](#) [SRDH-1A-SL-24VDC](#) [20.2500M/5-E](#) [21.155MH/12](#) [SRRHN-2CN-](#)  
[SL-12VDC](#) [20.920M/5-E](#) [MC10N-S-10110AC](#) [21.1550MF/8-E](#) [20.910M/6-E](#) [20.95MH/3-E](#) [21.95MV/3](#) [MA05-S-01230AC](#) [SRRHN-2CN-](#)  
[SL-5VDC](#) [LB69-4040](#) [20.3001M/6](#) [21.1500M/3-E](#) [SFSYE0311](#) [21.95MHF/6-E](#) [20.95MV/2-E](#) [20.155MV/4-E](#) [20.155MH/4-E](#) [20.950M/2-E](#)  
[MT5 1-50-FAR](#) [BS3P3REDO](#) [MB12-S-10=24](#) [MA05-S-1024DC](#) [20.155MVF/8-E](#) [20.2500MV/8-E](#)