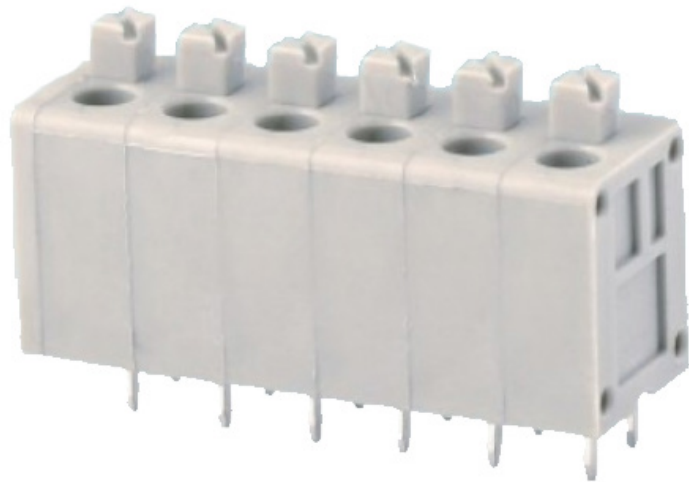


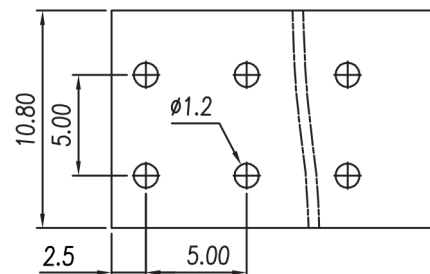
Terminal Block (Spring Clamp) 20.5701M/xx-E

- 300V 10A UL
- UL94-V0
- PA66
- 5.0mm Pin Pitch
- RoHS Compliant
- xx = Number of Poles (available from 2~24 poles)

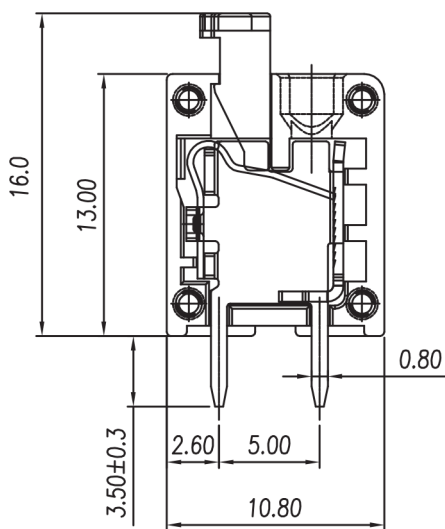
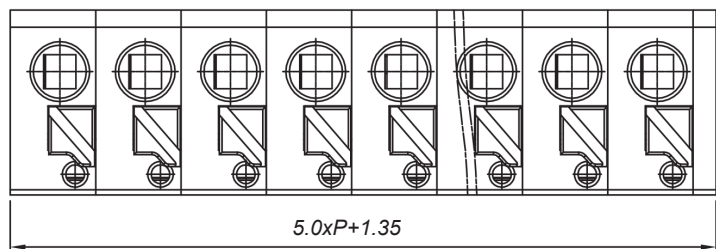


Technical Data

Pitch	5.00mm
UL Rating	300V 10Amps
IEC Rating	250V 10Amps
Spring	Stainless Steel
Solder Pin	Brass, Tin Plated
Wire Range	20-16AWG (0.5-1.5mm ²)
PCB Hole Diameter	1.2mm
Strip Length	9-10mm
Screw Torque	n/a
Insulation Voltage	AC2000V / 1 Min
Impulse / Surge Voltage	4kV
Initial Contact Resistance	20mΩ (typical)
Insulation Resistance	500mΩ / DC500V
Temperature Range	-40 to +105°C

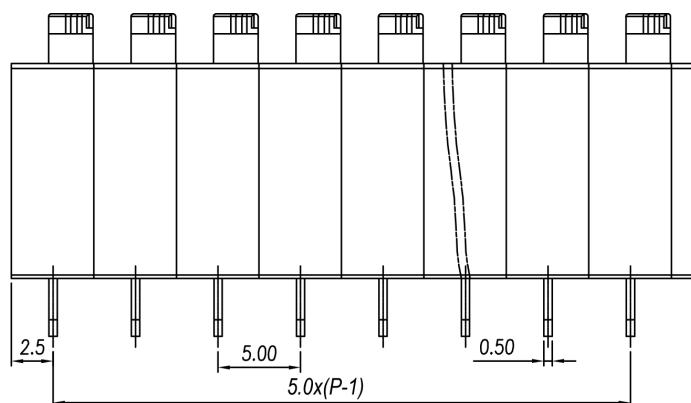


PCB LAYOUT



Dimensions shown in mm P = No of Poles

Supplied in grey as standard
Other colour options and printing may be available depending on quantity
Please contact IMO for further information



X-ON Electronics

Largest Supplier of Electrical and Electronic Components

Click to view similar products for imo manufacturer:

Other Similar products are found below :

[20.155MV/12-E](#) [MC14N-S-10110AC](#) [MB09-S-10=24](#) [DPS-1-030-24](#) [SRF-1C-SL-12VDC](#) [MB09-S-1024](#) [LDC18RRS](#) [SFSYE0111](#)
[21.1500M/6-E](#) [20.3304M/2-E](#) [21.910M/5-E](#) [20.95MA/2-E](#) [21.95MHF/2-E](#) [PE69-4032](#) [DPS-1-060-24](#) [CS20A-A2](#) [CS20A-U1](#) [VFC02](#)
[MSSTC11DA06](#) [20.95MHF/3-E](#) [B3T10](#) [XKL-040-21](#) [20.3304M/4-E](#) [SRDH-1A-SL-24VDC](#) [20.2500M/5-E](#) [21.155MH/12](#) [SRRHN-2CN-](#)
[SL-12VDC](#) [20.920M/5-E](#) [MC10N-S-10110AC](#) [21.1550MF/8-E](#) [20.910M/6-E](#) [20.95MH/3-E](#) [21.95MV/3](#) [MA05-S-01230AC](#) [SRRHN-2CN-](#)
[SL-5VDC](#) [LB69-4040](#) [20.3001M/6](#) [21.1500M/3-E](#) [SFSYE0311](#) [21.95MHF/6-E](#) [20.95MV/2-E](#) [20.155MV/4-E](#) [20.155MH/4-E](#) [20.950M/2-E](#)
[MT5 1-50-FAR](#) [BS3P3REDO](#) [MB12-S-10=24](#) [MA05-S-1024DC](#) [20.155MVF/8-E](#) [20.2500MV/8-E](#)