

High Power Terminal Block

21.890M/xx-E

- 600V 65A (UL)
- UL94-V0
- Rising Clamp
- 10.16mm Pin Pitch
- 10.4mm Row Pitch
- RoHS Compliant
- xx = Number of Poles
- Product Supplied With Clamp Completely Open

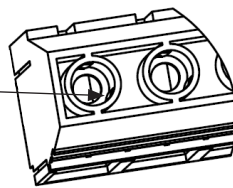
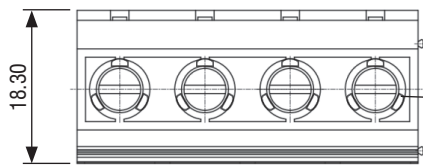
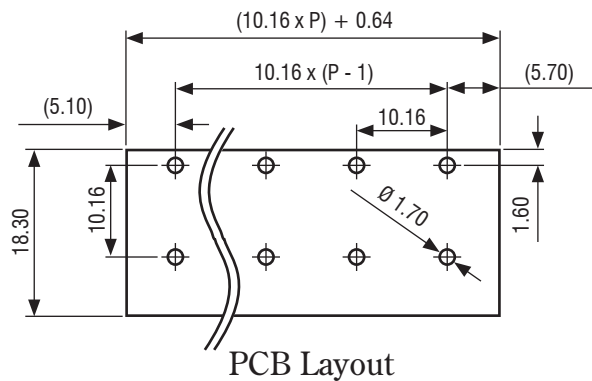


File Number: E244285

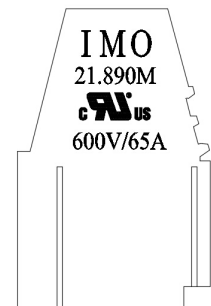
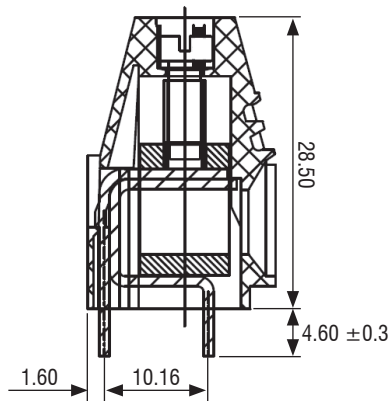
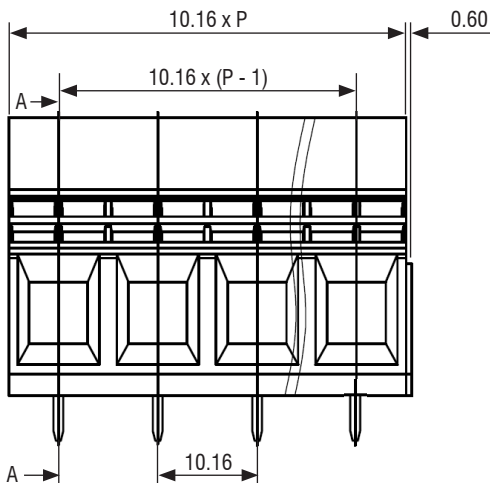


Technical Data

| | |
|--------------------|-----------------------|
| Pitch | 10.16mm |
| UL Rating | 600V 65Amps |
| IEC Rating | 1000V 57Amps |
| Clamp | Brass/Zinc Plated |
| Wire Range | 6-20AWG |
| PCB Hole Diameter | 1.7mm |
| Screw | M4 Steel (Zinc Plate) |
| Screw Torque | 1.8Nm |
| Insulation Voltage | 2.5kV |
| Temperature Range | -40 to +105°C |



NOTE: Screw fillet positions representative only



X-ON Electronics

Largest Supplier of Electrical and Electronic Components

Click to view similar products for imo manufacturer:

Other Similar products are found below :

[20.155MV/12-E](#) [MC14N-S-10110AC](#) [MB09-S-10=24](#) [DPS-1-030-24](#) [SRF-1C-SL-12VDC](#) [MB09-S-1024](#) [LDC18RRS](#) [SFSYE0111](#)
[21.1500M/6-E](#) [20.3304M/2-E](#) [21.910M/5-E](#) [20.95MA/2-E](#) [21.95MHF/2-E](#) [PE69-4032](#) [DPS-1-060-24](#) [CS20A-A2](#) [CS20A-U1](#) [VFC02](#)
[MSSTC11DA06](#) [20.95MHF/3-E](#) [B3T10](#) [XKL-040-21](#) [20.3304M/4-E](#) [SRDH-1A-SL-24VDC](#) [20.2500M/5-E](#) [21.155MH/12](#) [SRRHN-2CN-](#)
[SL-12VDC](#) [20.920M/5-E](#) [MC10N-S-10110AC](#) [21.1550MF/8-E](#) [20.910M/6-E](#) [20.95MH/3-E](#) [21.95MV/3](#) [MA05-S-01230AC](#) [SRRHN-2CN-](#)
[SL-5VDC](#) [LB69-4040](#) [20.3001M/6](#) [21.1500M/3-E](#) [SFSYE0311](#) [21.95MHF/6-E](#) [20.95MV/2-E](#) [20.155MV/4-E](#) [20.155MH/4-E](#) [20.950M/2-E](#)
[MT5 1-50-FAR](#) [BS3P3REDO](#) [MB12-S-10=24](#) [MA05-S-1024DC](#) [20.155MVF/8-E](#) [20.2500MV/8-E](#)