

## Main

|                               |  |
|-------------------------------|--|
| Range of product              | OsiSense XC  |
| Series name                   | Standard format  |
| Product or component type     | Limit switch   |
| Device short name             | XCKN   |
| Sensor design                 | Compact  |
| Body type                     | Fixed  |
| Head type                     | Rotary head  |
| Material                      | Plastic  |
| Body material                 | Plastic  |
| Head material                 | Plastic  |
| Fixing mode                   | By the body  |
| Movement of operating head    | Rotary   |
| Type of operator              | Spring return roller lever thermoplastic (roller diameter 50 mm) |
| Type of approach              | Lateral approach 2 directions                                    |
| Cable entry                   | 1 entry tapped for Pg 11 cable gland                             |
| Number of poles               | 2  |
| Contacts type and composition | 1 NC + 1 NO  |
| Contact operation             | Slow-break, break before make                                    |

## Buy online

### Complementary

|   |  |
|---|--|
| Switch actuation                                    | By 30° cam   |
| Electrical connection                               | Screw-clamp terminals, clamping capacity: 1 x 0.5...2 x 2.5 mm <sup>2</sup>  |
| Contacts insulation form                            | Zb   |
| Positive opening                                    | With   |
| Minimum torque for tripping                         | 0.1 N.m  |
| Maximum actuation speed                             | 1.5 m/s  |
| Contact code designation                            | A300, AC-15 (U <sub>e</sub> = 240 V, I <sub>e</sub> = 3 A) , I <sub>the</sub> = 10 A conforming to EN/IEC 60947-5-1 appendix A<br>R300, DC-13 (U <sub>e</sub> = 250 V, I <sub>e</sub> = 0.1 A) conforming to EN/IEC 60947-5-1 appendix A   |
| [U <sub>i</sub> ] rated insulation voltage          | 300 V conforming to CSA C22.2 No 14<br>500 V degree of pollution 3 conforming to IEC 60947-1<br>300 V conforming to UL 508   |
| [U <sub>imp</sub> ] rated impulse withstand voltage | 6 kV conforming to IEC 60664<br>6 kV conforming to IEC 60947-1   |
| Short circuit protection                            | 10 A cartridge fuse type gG  |
| Electrical durability                               | 5000000 cycles, DC-13, 120 V, 4 W, operating rate: ≤ 60 cyc/mn, load factor: 0.5 conforming to IEC 60947-5-1 appendix C<br>5000000 cycles, DC-13, 24 V, 10 W, operating rate: ≤ 60 cyc/mn, load factor: 0.5 conforming to IEC 60947-5-1 appendix C<br>5000000 cycles, DC-13, 48 V, 7 W, operating rate: ≤ 60 cyc/mn, load factor: 0.5 conforming to IEC 60947-5-1 appendix C |
| Mechanical durability                               | 10000000 cycles  |
| Width   | 30 mm  |
| Height  | 126 mm   |
| Depth   | 47 mm  |

|                               |                        |
|-------------------------------|------------------------|
| Product weight                | 0.2 kg                 |
| Terminals description ISO n°1 | (13-14)NO<br>(21-22)NC |

## Environment

|                                       |   |
|---------------------------------------|---|
| Shock resistance                      | 50 gn (duration = 11 ms) conforming to IEC 60068-2-27                                   |
| Vibration resistance                  | 25 gn (f = 10...500 Hz) conforming to IEC 60068-2-6                                     |
| IP degree of protection               | IP65 conforming to IEC 60529  |
| IK degree of protection               | IK04 conforming to EN 50102   |
| Overvoltage category                  | Class II conforming to IEC 61140<br>Class II conforming to NF C 20-030                  |
| Ambient air temperature for operation | -25...70 °C   |
| Ambient air temperature for storage   | -40...70 °C   |
| Protective treatment                  | TC  |
| Product certifications                | CCC<br>CSA<br>UL  |
| Standards                             | IEC 60947-5-1<br>IEC 60204-1<br>UL 508<br>EN 60204-1<br>EN 60947-5-1<br>CSA C22.2 No 14 |

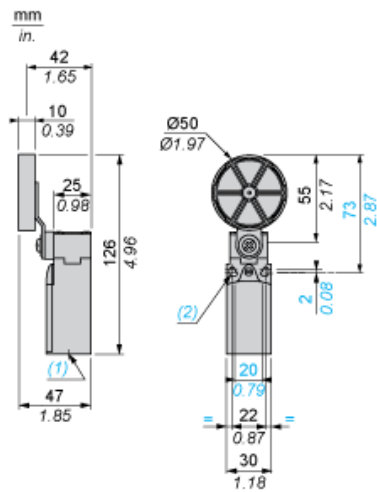
## Offer Sustainability

|                                  |  |
|----------------------------------|--|
| Sustainable offer status         | Green Premium product  |
| RoHS (date code: YYWW)           | Compliant - since 0953 - Schneider Electric declaration of conformity <a href="#">Schneider Electric declaration of conformity</a> |
| REACH                            | Reference not containing SVHC above the threshold  |
| Product environmental profile    | Available <a href="#">Product Environmental</a>  |
| Product end of life instructions | Need no specific recycling operations <a href="#">Product environmental</a>  |

## Contractual warranty

|                 |           |
|-----------------|-----------|
| Warranty period | 18 months |
|-----------------|-----------|

Dimensions



- (1) 1 tapped entry for Pg 11 cable gland
- (2) Ø: 2 elongated holes Ø 4.3 x 6.3 on 22 mm centres, 2 holes Ø 4.3 on 20 mm centres.

---

## Mounting with Cable Entry

---

### Position of Cable Gland



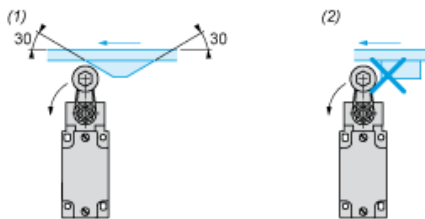
- (1) Recommended
- (2) To be avoided

---

## Mounting with Rotary Heads and Levers

---

### Type of Cam



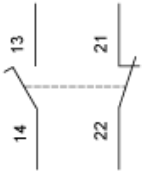
- (1) Recommended
- (2) To be avoided

---

## Wiring Diagram

---

2-pole N/C + N/O Break before Make, Slow Break

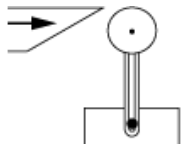


---

Characteristics of Actuation

---

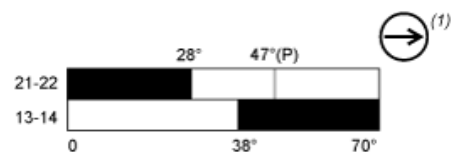
Switch Actuation by 30° Cam



---

Functionnal Diagram

---



■ (2)  
□ (3)

- (P) Positive opening point
- (1) NC contact with positive opening operation
- (2) Closed
- (3) Open

## X-ON Electronics

Largest Supplier of Electrical and Electronic Components

*Click to view similar products for [telemecanique](#) manufacturer:*

Other Similar products are found below :

[9007CO54B2](#) [9007B3](#) [9007F4](#) [9007FA2](#) [AC118](#) [XCSSL784B3](#) [XCSTE5513](#) [XZCP0266L5](#) [XZCPV1965L5](#) [ZCKE67](#) [ZCPED44](#)  
[XZCPV1041L5](#) [XZCP29P12L2](#) [XUZASW006](#) [XUY40324](#) [XUX9APBNT16](#) [XCSPA793](#) [XCSDMP700L01M12](#) [XCSB703](#) [XCSA703](#)  
[ZCKY49](#) [VM1NNO](#) [XUB9BPANL2](#) [XS7G12NA140](#) [ZCKE675](#) [XS506BSCAL01M12](#) [XUFZ920](#) [XCMD2110L5](#) [XMLG010D21](#)  
[XUM9ANCNM8](#) [XU2S18PP340DR](#) [XCSPR553](#) [XCMN21F0L1](#) [9007C52G](#) [XSDH407339H7](#) [9007C54F](#) [XCSMP79L2](#) [ZCKD08](#) [XC1ZP4](#)  
[XS7C4A1MPG13](#) [XS918R4PAM12](#) [ZCKY31](#) [XCKP2545P16](#) [XUB9BPBNL2](#) [XCSDMP7005](#) [XCSDMP50010](#) [XY2CE1A290](#)  
[XCMD2111L1](#) [XMLP010BC71V](#) [XS208BLPAL2](#)