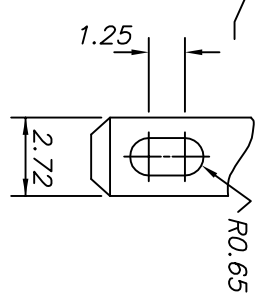
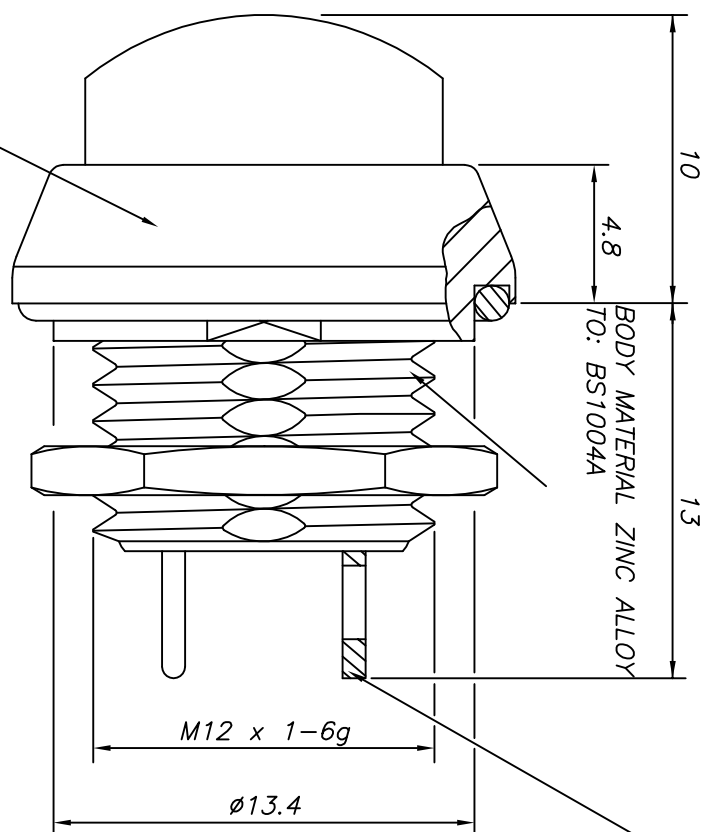
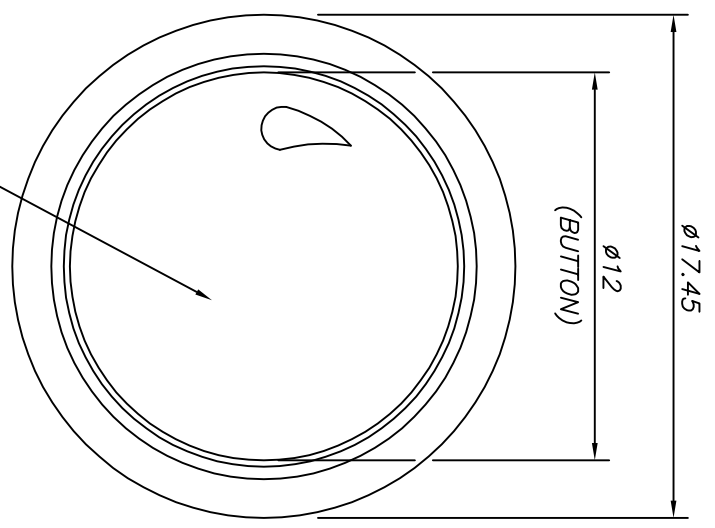
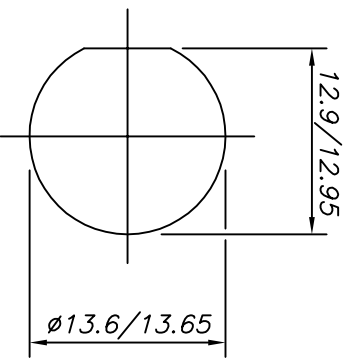


ROUGHNESS - 32 CLA  
 DIAMETERS TO BE CONCENTRIC WITHIN  
 HOLD NORMAL AND PARALLEL FACES WITHIN-

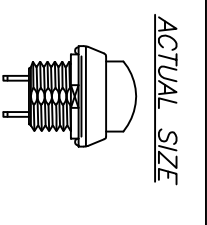
DRAWN IN ACCORDANCE WITH BS. 308.  
 THIRD ANGLE PROJECTION. DO NOT SCALE.  
 DIMENSIONS ARE IN MILLIMETRES.



SUGGESTED PANEL CUTOUT



BEZEL FINISH: BLACK P.T.F.E.



CAD SYSTEM No: 1	DIRECTORY NAME:	CAD DRAWING No: 599089TA.DWG
------------------	-----------------	------------------------------

ISS. CHANGE NOTE No. A ECN86104	DATE 4.6.96	DRAWN BV	ISS. CHANGE NOTE No.	DATE	DRAWN
<p><b>ITTW Switches</b>                  Leon Switches, Chicago Switch, RC/JUD Switches                  © 1996                  The Copyright in this drawing and in the article shown belongs to ITTW Switches and no reproduction in whole or in part of the drawing or the articles shown may be made without prior written permission.</p>					
DRAWN BV	CHKD. RE	APPR. AB	SCALE 5:14.6.96	DATE 5.14.6.96	TITLE RAISED/ROUND BEZEL P/B
MATERIAL & SPEC. SEE GA.			DRAWING No. 59-900089	ISS. A	

- ELECTRICAL**
- DIELECTRIC STRENGTH 1000VAC
  - INSULATION RESISTANCE 1G Ohms
  - CONTACT RESISTANCE (INITIAL) 50m Ohms
  - CURRENT RATING:-
    - @ 32VAC RESISTIVE 400mA
    - @ 50VDC RESISTIVE 100mA
    - @ 125VAC RESISTIVE 125mA
  - LIFE (MINIMUM) 500,000 CYCLES
  - SWITCHING POWER (MAXIMUM) 16VA AC
- MECHANICAL**
- TRAVEL (NOMINAL) 2.3mm
  - LIFE (MINIMUM) 1,000,000 CYCLES
  - OPERATING FORCE (NOMINAL) 3N
  - ENVIRONMENTAL & PHYSICAL
  - INGRESS PROTECTION IP67
  - SHOCK 100G
  - OPERATING TEMP RANGE -55°C TO +125°C
  - CONTACTS GOLD PLATED-PALADIUM NICKEL

## X-ON Electronics

Largest Supplier of Electrical and Electronic Components

*Click to view similar products for [itw switches manufacturer](#):*

Other Similar products are found below :

[MP648-16\(50\)](#) [SDBS25PN](#) [76-1024](#) [48M-111B](#) [76-959034](#) [181541B](#) [MDJ15](#) [DA15POLF](#) [48M-111G](#) [22-204](#) [DC37PF](#) [DB25SNF](#) [DB25SF](#)  
[76-9510/4044](#) [49-59115](#) [40-2-5](#) [76-9513/4044G](#) [76-9113/439088](#) [SDAX15SNT](#) [SDD50PTD](#) [59-900091](#) [48M210N](#) [ES1020](#) [SDB25PNTD](#)  
[DE9SNF](#) [DAC15P](#) [H48M-112B/4044](#) [40-2-10](#) [57-112R](#) [76-9116/439088](#) [76-9112/439088](#) [DE9PF](#) [HDAX26SNT](#) [48-1-RB-G-BK-B](#)  
[48M112R](#) [H48M-112G/4044](#) [57M110N](#) [H48M-212B/4044](#) [H48M-212R/4044](#) [57M-211B](#) [49-59116](#) [4959213](#) [48M110N](#) [4959113](#) [1640401](#)  
[76-9711/439088R](#) [76-9440/439088B](#) [48-1-RB-R-BK-B](#) [76-1266](#) [76-9450/439088R](#)