

Light is OSRAM

OSRAM

FLEXESSORIES

SLIMCONNECT SYSTEM 08 – G2

TECHNICAL DATASHEET

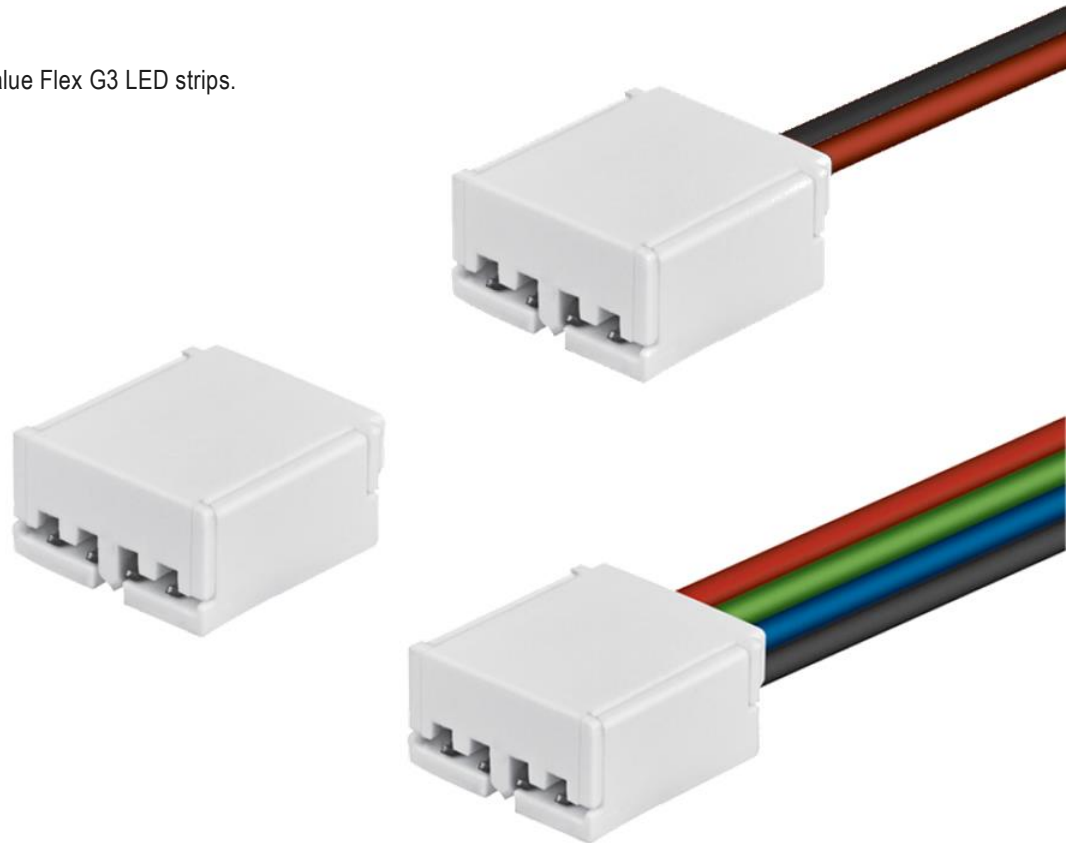
Enjoy full flexibility in lighting design. Connect easily modules without any need of tools. The SLIMCONNECT SYSTEM is made for minimalistic integration into aluminum profiles and luminaires. Yet offering a strong retention force to the module and extra mounting support through the additional adhesive back on the connectors' backside.

Key Features & Benefits

- Assembly without tools
- Robust connection
- Fits into SLIM TRACK
- 3M Adhesive tape on the back to support mounting
- Keep LED pitch at board to board connection
- Extension wires for connection across corners

Possible Applications

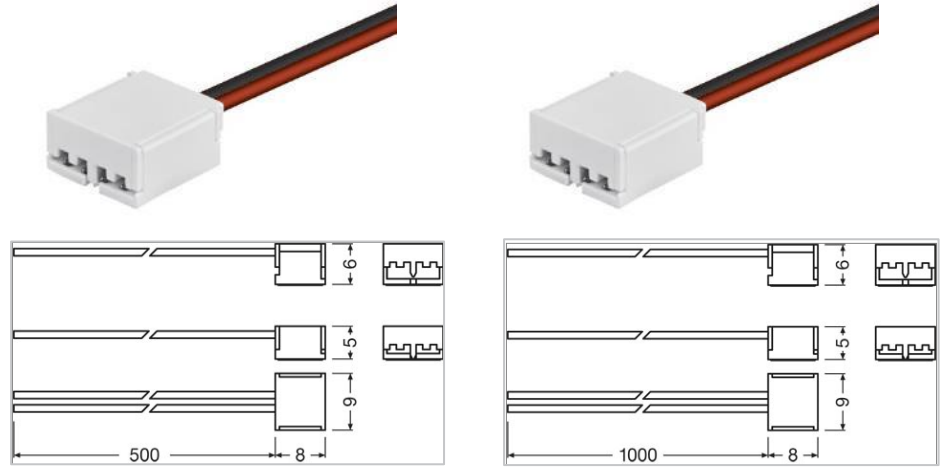
- Applying to LINEARlight Flex and Value Flex G3 LED strips.



Power feed for single channel / color

Power feeders to connect modules with single white and single monochromatic light

Use with Linearlight Flex Advanced, Monochrome, Shortpitch, Power, Shop White, Meat White, Veggie White, Value Flex G3



Description	2pin power feeding connector with 50cm cable	2pin power feeding connector with 1m cable
Product	FX-SC08-G2-CT2PF-0500	FX-SC08-G2-CT2PF-1000
Cable length	500 mm	1,000 mm
Rated insulation voltage	< 25 V	< 25 V
Rated current	5 A	5 A
Connector closing force	<55 N	<55 N
PCB retention force	≥ 15 N	≥ 15 N
Contact resistance	≤ 30 mΩ	≤ 30 mΩ
Conductor cross section AWG	22	22
Ambient temperature (storage/transport)	-40 – +85 °C	-40 – +85 °C
Ambient temperature (operation) LLT - ULT	-30 - +70 °C	-30 - +70 °C
Connector part: Inflammability class acc. UL94	V0	V0
Connector part: Insulating material	PBT GF	PBT GF

Ordering details

EAN per single piece	4052899464735	4052899464766
Quantity	1 (MOQ=20)	1 (MOQ=20)
Comment	only boxes orderable	only boxes orderable
EAN per shipping box	4052899464759	4052899464780
Quantity	14 x 20 (=280)	14 x 20 (=280)

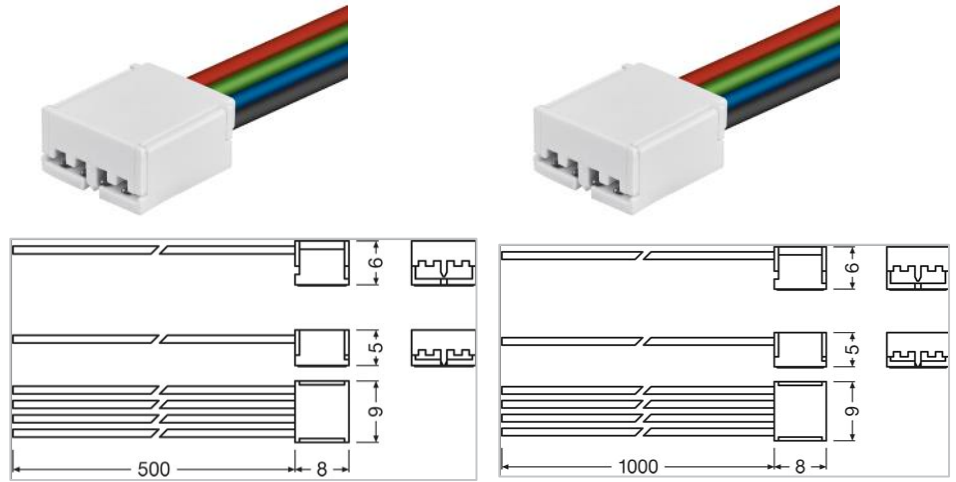
Due to the special conditions of manufacturing processes of LED, the typical data of technical parameters can only reflect statistical figures and do not necessarily correspond to the actual parameters of each single product which could differ from the typical data.

Subject to change without notice. Errors and omissions excepted.

Version: 2017-12-18

Power feed for 3 channels / colors

Power feeders to connect RGB modules
Use with Linearlight Flex Colormix (LF05CA2)



Description	4pin power feeding connector with 50cm cable	4pin power feeding connector with 1m cable
Product	FX-SC08-G2-CT4PF-0500	FX-SC08-G2-CT4PF-1000
Cable length	500 mm	1,000 mm
Rated insulation voltage	< 25 V	< 25 V
Rated current	5 A	5 A
Connector closing force	<60 N	<60 N
PCB retention force	≥ 15 N	≥ 15 N
Contact resistance	≤ 30 mΩ	≤ 30 mΩ
Conductor cross section AWG	22	22
Ambient temperature (storage/transport)	-40 – +85 °C	-40 – +85 °C
Ambient temperature (operation) LLT - ULT	-30 - +70 °C	-30 - +70 °C
Connector part: Inflammability class acc. UL94	V0	V0
Connector part: Insulating material	PBT GF	PBT GF

Ordering details

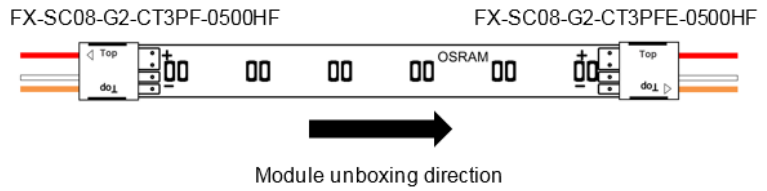
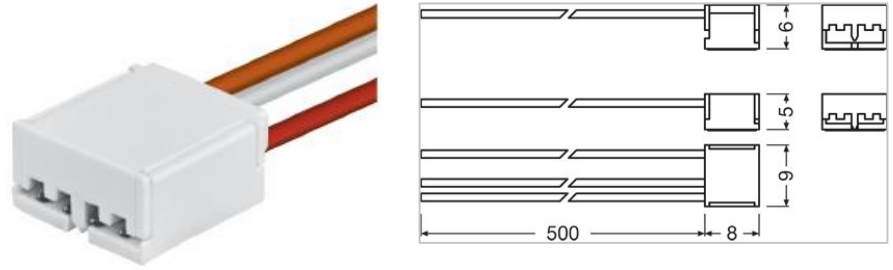
EAN per single piece	4052899464797	4052899464827
Quantity	1 (MOQ=20)	1 (MOQ=20)
Comment	only boxes orderable	only boxes orderable

EAN per shipping box	4052899464810	4052899464841
Quantity	14 x 20 (=280)	14 x 20 (=280)

Due to the special conditions of manufacturing processes of LED, the typical data of technical parameters can only reflect statistical figures and do not necessarily correspond to the actual parameters of each single product which could differ from the typical data.
Subject to change without notice. Errors and omissions excepted.
Version: 2017-12-18

Power feed for 2 channels / colors

Power feeders to connect modules with tunable white modules
 Use with Linearlight Flex Tunable White, Tunable Warm White



Description	3pin power feeding connector with 50cm cable	3pin power feeding connector with 50cm cable
Product	FX-SC08-G2-CT3PF-0500HF	FX-SC08-G2-CT3PFE-0500HF
Cable length	500 mm	500 mm
Rated insulation voltage	< 25 V	< 25 V
Rated current	5 A	5 A
Connector closing force	<55 N	<55 N
PCB retention force	≥ 15 N	≥ 15 N
Contact resistance	≤ 30 mΩ	≤ 30 mΩ
Conductor cross section AWG	20	20
Ambient temperature (storage/transport)	-40 – +85 °C	-40 – +85 °C
Ambient temperature (operation) LLT - ULT	-30 - +70 °C	-30 - +70 °C
Connector part: Inflammability class acc. UL94	V0	V0
Connector part: Insulating material	PBT GF	PBT GF

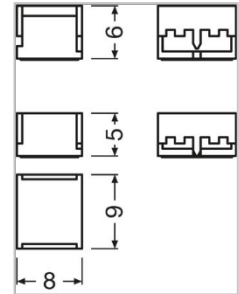
Ordering details

EAN per single piece	4052899482999	4052899483026
Quantity	1 (MOQ=20)	1 (MOQ=20)
Comment	only boxes orderable	only boxes orderable

EAN per shipping box	4052899483019	4052899483040
Quantity	14 x 20 (=280)	14 x 20 (=280)

Jumper for 1-3 channels / colors

Interconnect two modules, use with: Linearlight Flex Tunable White, Tunable Warm White, Colormix (LF05CA2), Advanced, Monochrome, Shortpitch, Power, Shop White, Meat White, Veggie White, Value Flex G3



Description	Board to board connector between modules for modules with 1, 2 or 3 channels
Product	FX-SC08-G2-CT4PJ
Cable length	no cable
Rated insulation voltage	< 25 V
Rated current	5 A
Connector closing force	90 N
PCB retention force	≥ 15 N
Contact resistance	≤ 30 mΩ
Ambient temperature (storage/transport)	-40 – +85 °C
Ambient temperature (operation) LLT - ULT	-30 - +70 °C
Connector part: Inflammability class acc. UL94	V0
Connector part: Insulating material	PBT GF

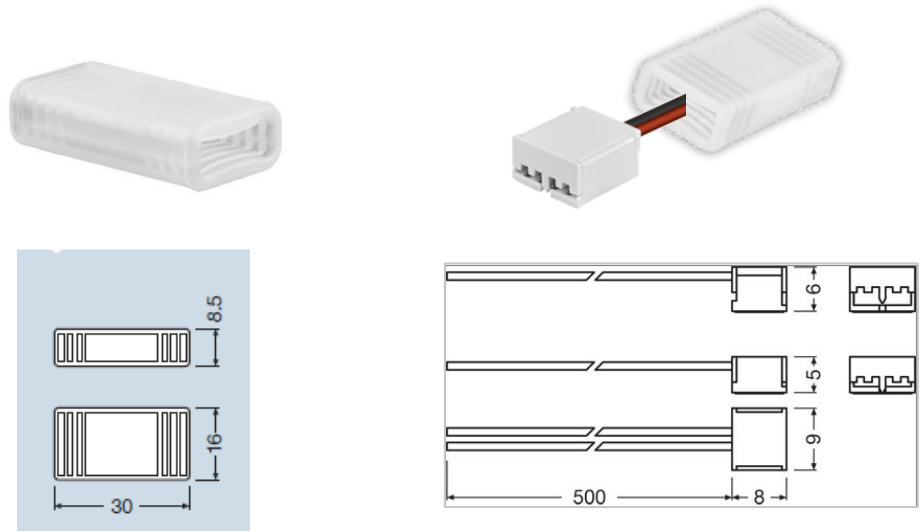
Ordering details

EAN per single piece	4052899464858
Quantity	1 (MOQ=25)
Comment	only boxes orderable

EAN per shipping box	4052899464872
Quantity	50 x 25 (=1,250)

Power feed IP54 for single channel / color

Power feeders to connect modules with single white and single monochromatic light
 Use with Value Flex G3 and follow user instructions if IP66 protection is needed



Description	Silicone boot for IP54	2pin power feeding connector with 50cm cable with IP54 boot
Product	FX-SC08-G2-BTJ-IP54	FX-SC08-G2-C2PF-IP54-0500
Cable length	---	500 mm
Rated insulation voltage	---	< 25 V
Rated current	---	5 A
Connector closing force	---	<55 N
PCB retention force	---	≥ 15 N
Contact resistance	---	≤ 30 mΩ
Conductor cross section AWG	---	22
Ambient temperature (storage/transport)	-40 – +80 °C	-40 – +85 °C
Ambient temperature (operation) LLT - ULT	-30 - +90 °C	-30 - +70 °C
Connector part: Inflammability class acc. UL94	---	V0
Connector part: Insulating material	---	PBT GF

Ordering details

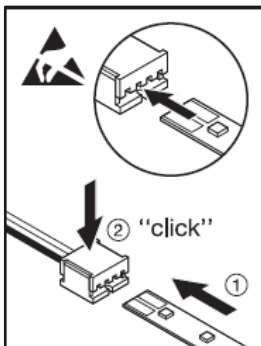
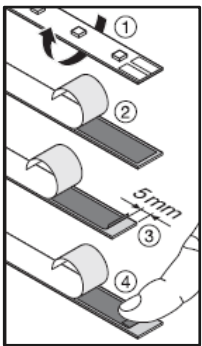
EAN per single piece	4052899568853 ¹	4052899464889
Quantity	1 (MOQ=25)	1 (MOQ=20)
Comment	only boxes orderable	only boxes orderable
EAN per shipping box	4052899568877	4052899464902
Quantity	50 x 25 (250)	14 x 20 (=280)

¹ Product same as LF-BOOT FLEX IP

Safety Information

- All components of the SLIMCONNECTsystem FLEX must be assembled to avoid any stress on the wires and/or board connectors. The installer must ensure that there is adequate strain relief between the board connection and the wiring.
- Installation of LED modules (with power supplies) needs to be made with regard to all applicable electrical and safety standards. Only qualified personnel should be allowed to perform installations.
- The connector has no inverse polarity protection. There will be no electrical function if connector is not well positioned or if polarity is inverse. Several modules can be damaged (see the respective module data sheet).
- The maximum operation current may not be exceeded.
- The SLIMCONNECTsystem FLEX is designed for indoor applications only. Any unprotected outdoor use is not allowed.
- A suitable enclosure IP67 is required if the system is to be exposed to humidity and /or dust. Condensation water in the IP67 enclosure is not allowed.

Assembly Information



- For electrical connection of the LINEARlight FLEX, both, module and connector must be positioned with the correct side up as shown in the graphic
- For correct assembly, follow user instruction included in the packaging of each module.
- Pay attention to the correct polarity between feeder and module:

– **FX-SC08-G2-CT2PF**

Black wire = “-” pole / red wire = “+” pole

– **FX-SC08-G2-CT3PF**

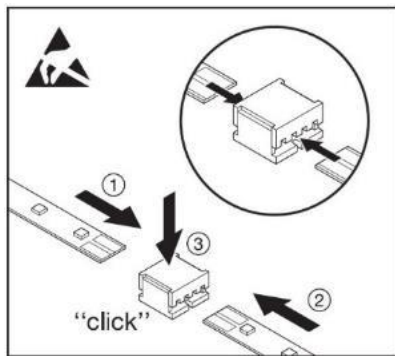
Red wire = “+” pole / White Wire = “channel-1”-pad / Orange Wire = “channel-2”-pad

– **FX-SC08-G2-CT4PF**

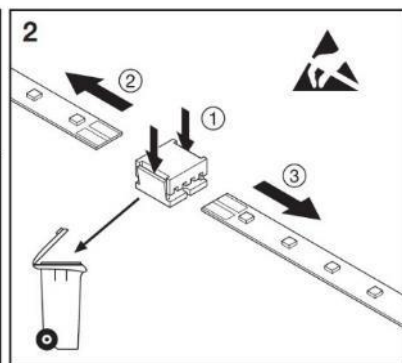
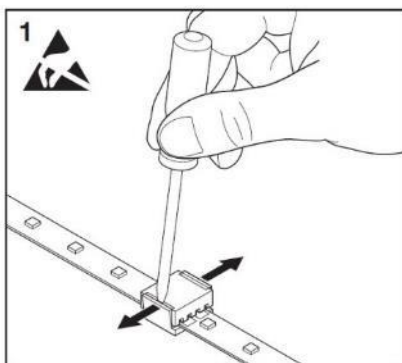
Black wire = “+” pole / Blue Wire = “B”-pad / Green Wire = “G”-pad / Red Wire = “R”-pad

– **FX-SC08-G2-CT4PJ**

Particular attention is required when using the connector for board to board connection: The ‘+’ pole of the first module has to be connected to the ‘+’ pole of the second module. In case of wrong polarity no light will be emitted and the modules can be damaged



- Then slide the module into the connector and press on the connector to fix the connection. Make sure to work on a flat and robust surface.



- In order to maintain adequate electrical contact, the connectors are designed for single use. However, to reuse the connected PCB, a removal is possible but will result in the destruction of the connector.

FLEXESSORIES
SLIMCONNECT SYSTEM 08 – G2
TECHNICAL DATASHEET
2017-12-18

Related and further information

- OSRAM LED Systems www.osram.com/led-systems
- OSRAM: FLEXIBLE LED MODULES www.osram.com/flex
- OSRAM catalogue <http://catalog.osram.com>
- General information www.osram.com

OSRAM GmbH

Head Office:

Marcel-Breuer-Strasse 6
80807 Munich, Germany

+49 89 6213-0
www.osram.com

Sales and technical support is given by the local OSRAM subsidiaries.

On the OSRAM website all subsidiaries are listed with complete address and phone numbers.

OSRAM

X-ON Electronics

Largest Supplier of Electrical and Electronic Components

Click to view similar products for [osram](#) manufacturer:

Other Similar products are found below :

[LO L296-Q2S1-24-Z](#) [IPD2131-27](#) [GW PSLPS1.EC-KSKU-5R8T-1](#) [418962A](#) [BPW 34 FS](#) [LCW JNSH.PC-CPCR-5H7I-1](#) [LE RTDUW S2W](#)
[LT A67C-S2U1-35](#) [LG Y876-P1Q2-24-Z](#) [BPW 34 FASR](#) [BPW 34 FSR](#) [BPW 34 SR](#) [LT A67C-T2V1-35](#) [GY CSHPM1.23-KQKS-36-0](#) [KW](#)
[H5L531.TE-Z7R7-EBVFFCBB46-RS5R](#) [4058075097421](#) [79675](#) [79632](#) [OT 40/220-240/24 DIM P](#) [OT 60/220-240/24 DIM P](#) [OT 100/220-](#)
[240/24 DIM P](#) [OT FIT 45/220-240/200 D L](#) [KW2 HIL532.TK-D2D9-4L07M0-SC6B](#) [LW TWTG.BB-BXCX-2B2C-1](#) [LA E6SF-BBCB-24-1-Z](#)
[HDSP2112S](#) [LY E6SF-AABA-46-1-Z](#) [64760](#) [SFH 4715A-CBDA](#) [4058075097360](#) [4058075097544](#) [47659](#) [OT 6/200-240/24 CE](#) [OT FIT](#)
[35/220-240/350 D CS L](#) [OT FIT 8/220-240/180 CS S MINI](#) [64150ULT](#) [79366](#) [4052899917583](#) [4058075819658](#) [GW CSSRM2.PM-N3N5-](#)
[XX51-1](#) [LE B Q8WP-8A7B-24](#) [ELEMENT 90/220-240/24](#) [OT 40/220-240/24 P](#) [OT 60/220-240/24 P](#) [ELEMENT 6/220-240/150 S](#) [64210CBI](#)
[LY E67F-ABBB-46-1-Z](#) [LS T670-J1K2-1-Z](#) [LO L29K-H2L1-24-Z](#) [LY E67B-T2V1-26-1-Z](#)