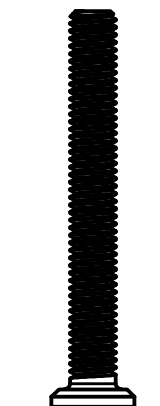
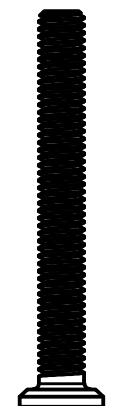


Spida Stud - 11mm Base



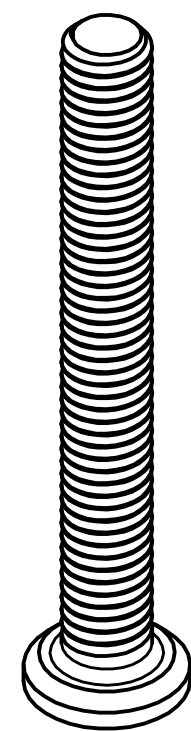
Front
Vue de face
Vorderseite



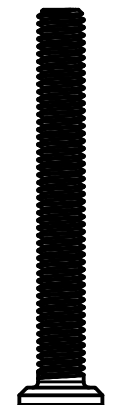
Back
Vue arrière
Rückansicht



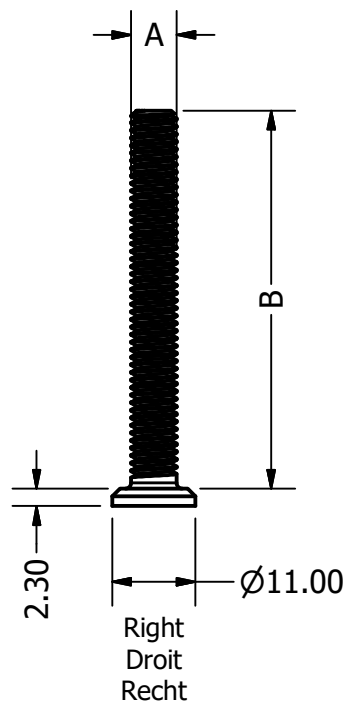
Top
Haut
Oben



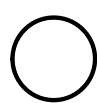
Isometric
Isométrique
Isometrisch



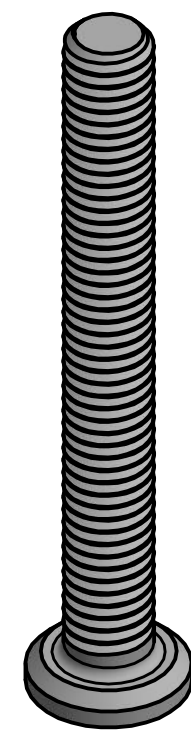
Left
Côté gauche
Linke Seite



Right
Droit
Recht



Base
Base
Base

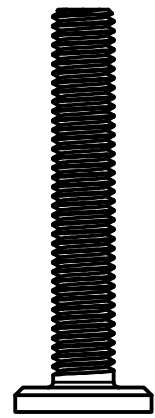


Mild Steel			
Part no.	Material	A - Diameter	B - Length
STU-M4C20B-11R05B	Mild steel	M4	20
STU-M4C30B-11R05B	Mild steel	M4	30
STU-M4C50B-11R05B	Mild steel	M4	50
STU-M4C60B-11R05B	Mild steel	M4	60
STU-M6C20B-11R05B	Mild steel	M6	20
STU-M6C30B-11R05B	Mild steel	M6	30
STU-M6C50B-11R05B	Mild steel	M6	50
STU-M6C60B-11R05B	Mild steel	M6	60

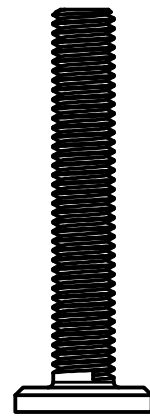
Stainless Steel			
Part no.	Material	A - Diameter	B - Length
STU-M4C20A-11R05A	Stainless steel	M4	20
STU-M4C30A-11R05A	Stainless steel	M4	30
STU-M4C50A-11R05A	Stainless steel	M4	50
STU-M4C60A-11R05A	Stainless steel	M4	60
STU-M6C20A-11R05A	Stainless steel	M6	20
STU-M6C30A-11R05A	Stainless steel	M6	30
STU-M6C50A-11R05A	Stainless steel	M6	50
STU-M6C60A-11R05A	Stainless steel	M6	60

CAD work:-	HJLW	VERSION NUMBER: 1.0	Adhesion Technologies Limited is a company registered in England and Wales. Registered number: 08419163. Registered office: The Old Dryer, Hinton Business Park, Blandford Forum, DT11 8JF	Proprietary parts illustrated in this drawing and all associated text, drawings, products, images and concepts are protected by Trademark™, Registered Design®, Copyright © and/or International Patent or Patent Pending and are the intellectual property of Adhesion Technologies Ltd. Intellectual infringement is actively prosecuted. All rights reserved including the right to reproduce this document in any form what so ever, without the prior written approval from Adhesion Technologies Ltd. E&OE.	SHEET SIZE A3	PROJECT	TREATMENT	MATERIAL Mild / Stainless Steel	TITLE Spida Stud - 11mm Base
Approved:-	CW	ISSUE DATE & TIME 15/09/2017			SHEET 1	SCALE 1 : 1	WEIGHT	CUSTOMER Adhesion Tec	PART NO STU-M....

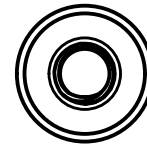
Spida Stud - 18mm Base



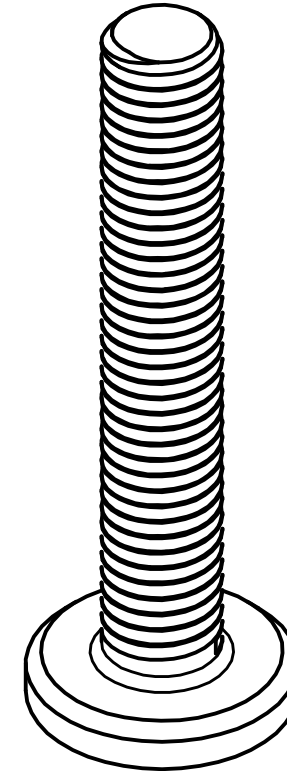
Front
Vue de face
Vorderseite



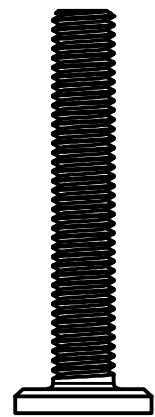
Back
Vue arrière
Rückansicht



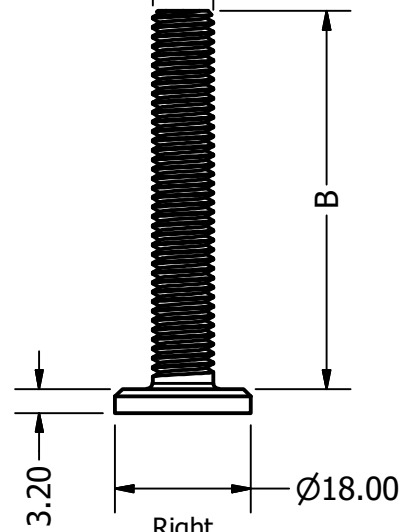
Top
Haut
Oben



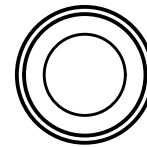
Isometric
Isométrique
Isometrisch



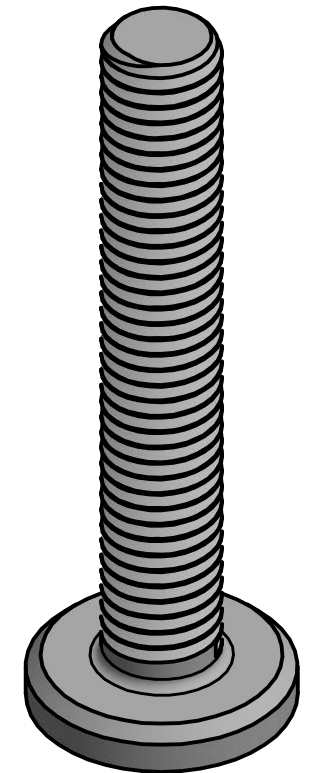
Left
Côté gauche
Linke Seite



Right
Droit
Recht



Base
Base
Base



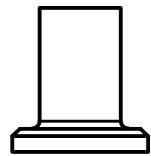
Mild Steel			
Part no.	Material	A - Diameter	B - Length
STU-M8C20B-18R05B	Mild steel	M8	20
STU-M8C30B-18R05B	Mild steel	M8	30
STU-M8C50B-18R05B	Mild steel	M8	50
STU-M8C60B-18R05B	Mild steel	M8	60
STU-M10C20B-18R05B	Mild steel	M10	20
STU-M10C30B-18R05B	Mild steel	M10	30
STU-M10C50B-18R05B	Mild steel	M10	50
STU-M10C60B-18R05B	Mild steel	M10	60
STU-M12C20B-18R05B	Mild steel	M12	20
STU-M12C30B-18R05B	Mild steel	M12	30
STU-M12C50B-18R05B	Mild steel	M12	50
STU-M12C60B-18R05B	Mild steel	M12	60

Stainless Steel			
Part no.	Material	A - Diameter	B - Length
STU-M8C20A-18R05A	Stainless steel	M8	20
STU-M8C30A-18R05A	Stainless steel	M8	30
STU-M8C50A-18R05A	Stainless steel	M8	50
STU-M8C60A-18R05A	Stainless steel	M8	60
STU-M10C20A-18R05A	Stainless steel	M10	20
STU-M10C30A-18R05A	Stainless steel	M10	30
STU-M10C50A-18R05A	Stainless steel	M10	50
STU-M10C60A-18R05A	Stainless steel	M10	60
STU-M12C20A-18R05A	Stainless steel	M12	20
STU-M12C30A-18R05A	Stainless steel	M12	30
STU-M12C50A-18R05A	Stainless steel	M12	50
STU-M12C60A-18R05A	Stainless steel	M12	60

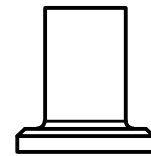
CAD work:-	HJLW	VERSION NUMBER: 1.0	Adhesion Technologies Limited is a company registered in England and Wales. Registered number: 08419163. Registered office: The Old Dryer, Hinton Business Park, Blandford Forum, DT11 8JF	Proprietary parts illustrated in this drawing and all associated text, drawings, products, images and concepts are protected by Trademark™, Registered Design®, Copyright © and/or International Patent or Patent Pending and are the intellectual property of Adhesion Technologies Ltd. Intellectual infringement is actively prosecuted. All rights reserved including the right to reproduce this document in any form what so ever, without the prior written approval from Adhesion Technologies Ltd. E&OE.	SHEET SIZE A3	PROJECT	TREATMENT	MATERIAL Mild / Stainless Steel	TITLE Spida Stud - 18mm Base
Approved:-	CW	ISSUE DATE & TIME 15/09/2017			SHEET 2	SCALE 1 : 1	WEIGHT	CUSTOMER Adhesion Tec	PART NO STU-M....

Spida Standoff - 18mm Base

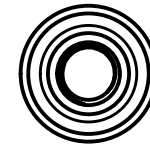
DO NOT SCALE DRAWING IF IN DOUBT - ASK 3rd ANGLE PROJECTION



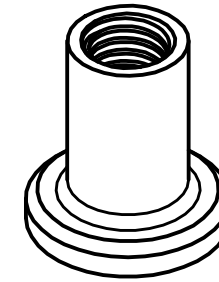
Front
Vue de face
Vorderseite



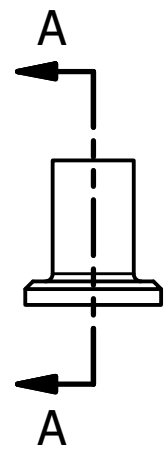
Back
Vue arrière
Rückansicht



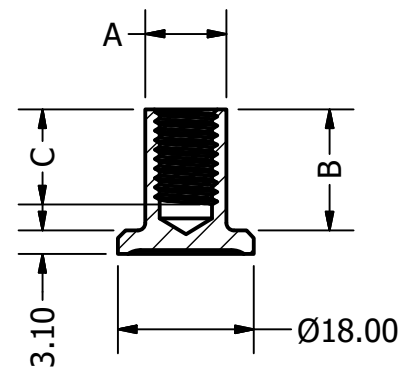
Top
Haut
Oben



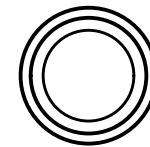
Isometric
Isométrique
Isometrisch



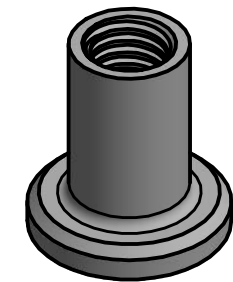
Left
Côté gauche
Linke Seite



SECTION A-A



Base
Base
Base



Mild Steel

Part no.	Material	Diameter	A - Outer D	B - Height	C - Thread length (mm)
BST-M4C8B-18R05B	Mild steel	M4	7.1	8	5
BST-M6C12B-18R05B	Mild steel	M6	8.9	12	8
BST-M8C16B-18R05B	Mild steel	M8	10.7	16	11.5

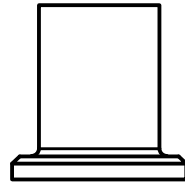
Stainless Steel

Part no.	Material	Diameter	A - Outer D	B - Height	C - Thread length (mm)
BST-M4C8A-18R05A	Stainless steel	M4	7.1	8	5
BST-M6C12A-18R05A	Stainless steel	M6	8.9	12	8
BST-M8C16A-18R05A	Stainless steel	M8	10.7	16	11.5

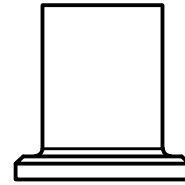
CAD work:-	HJLW	VERSION NUMBER: 1.0	Adhesion Technologies Limited is a company registered in England and Wales. Registered number: 08419163. Registered office: The Old Dryer, Hinton Business Park, Blandford Forum, DT11 8JF	Proprietary parts illustrated in this drawing and all associated text, drawings, products, images and concepts are protected by Trademark™, Registered Design®, Copyright © and/or International Patent or Patent Pending and are the intellectual property of Adhesion Technologies Ltd. Intellectual infringement is actively prosecuted. All rights reserved including the right to reproduce this document in any form what so ever, without the prior written approval from Adhesion Technologies Ltd. E&OE.	SHEET SIZE	PROJECT	TREATMENT	MATERIAL	TITLE
	Approved:-	CW			ISSUE DATE & TIME 15/09/2017	A3			Mild / Stainless Steel
					SHEET 3	SCALE 1 : 1	WEIGHT	CUSTOMER Adhesion Tec	PART NO BST-M....

Spida Standoff - 23mm Base

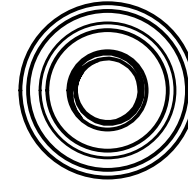
DO NOT SCALE DRAWING IF IN DOUBT - ASK 3rd ANGLE PROJECTION



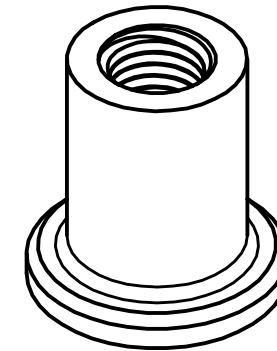
Front
Vue de face
Vorderseite



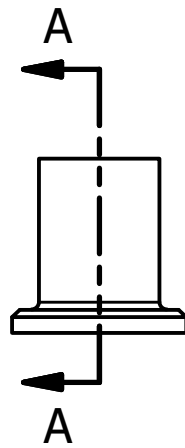
Back
Vue arrière
Rückansicht



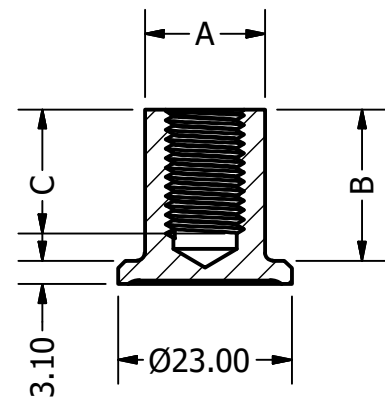
Top
Haut
Oben



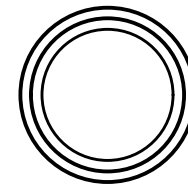
Isometric
Isométrique
Isometrisch



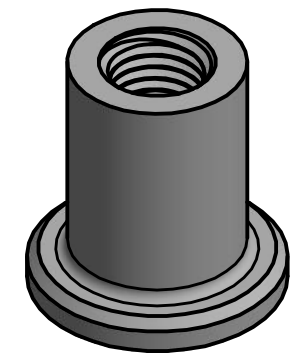
Left
Côté gauche
Linke Seite



SECTION A-A



Base
Base
Base



Mild Steel

Part no.	Material	Diameter	A - Outer D	B - Height	C - Thread length (mm)
BST-M10C20B-23R05B	Mild steel	M10	15.9	20	14.5
BST-M12C24B-23R05B	Mild steel	M12	15.9	24	17.5

Stainless Steel

Part no.	Material	Diameter	A - Outer D	B - Height	C - Thread length (mm)
BST-M10C20A-23R05A	Stainless steel	M10	15.9	20	14.5
BST-M12C24A-23R05A	Stainless steel	M12	15.9	24	17.5

CAD work:-	HJLW	VERSION NUMBER: 1.0	Adhesion Technologies Limited is a company registered in England and Wales. Registered number: 08419163. Registered office: The Old Dryer, Hinton Business Park, Blandford Forum, DT11 8JF	Proprietary parts illustrated in this drawing and all associated text, drawings, products, images and concepts are protected by Trademark™, Registered Design®, Copyright © and/or International Patent or Patent Pending and are the intellectual property of Adhesion Technologies Ltd. Intellectual infringement is actively prosecuted. All rights reserved including the right to reproduce this document in any form what so ever, without the prior written approval from Adhesion Technologies Ltd. E&OE.	SHEET SIZE A3	PROJECT	TREATMENT	MATERIAL Mild / Stainless Steel	TITLE Spida Standoff - 23mm Base
	Approved:-	CW			ISSUE DATE & TIME 15/09/2017	SHEET 4	SCALE 1 : 1	WEIGHT	CUSTOMER Adhesion Tec

Spida Base - 35mm

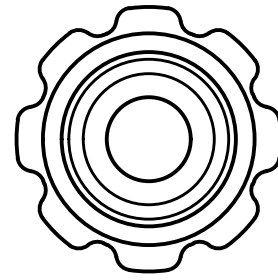
DO NOT SCALE DRAWING IF IN DOUBT - ASK 3rd ANGLE PROJECTION



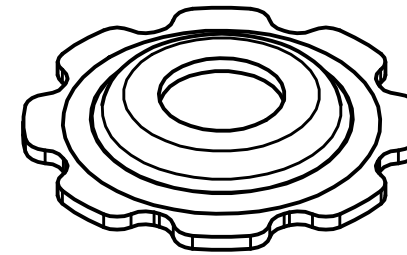
Front
Vue de face
Vorderseite



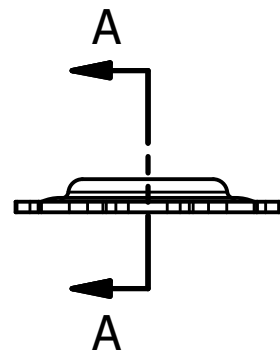
Back
Vue arrière
Rückansicht



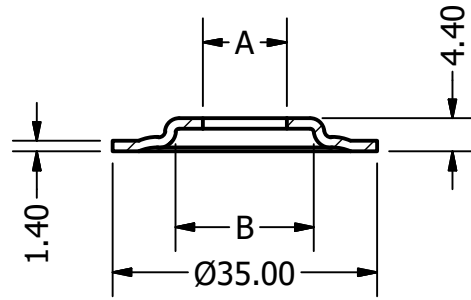
Top
Haut
Oben



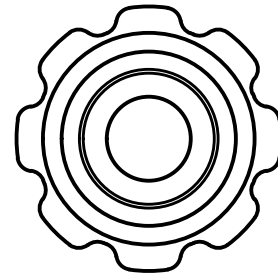
Isometric
Isométrique
Isometrisch



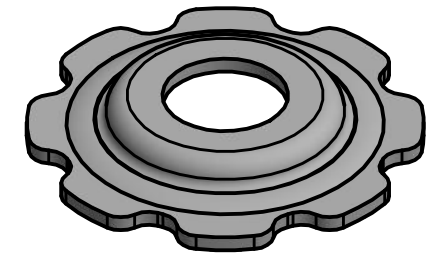
Left
Côté gauche
Linke Seite



SECTION A-A



Base
Base
Base



Mild Steel			
Part no.	Material	A - Diameter	B - Length
BAS-M4N11N-35C05C	Mild steel	5	11.3
BAS-M6N11N-35C05C	Mild steel	7.1	11.3
BAS-M8N18N-35C05C	Mild steel	9.2	18.3
BAS-M10N18N-35C05C	Mild steel	11.1	18.3
BAS-M12N18N-35C05C	Mild steel	13.3	18.3

Stainless Steel			
Part no.	Material	A - Diameter	B - Length
BAS-M4N11N-35C05A	Stainless steel	5	11.3
BAS-M6N11N-35C05A	Stainless steel	7.1	11.3
BAS-M8N18N-35C05A	Stainless steel	9.2	18.3
BAS-M10N18N-35C05A	Stainless steel	11.1	18.3
BAS-M12N18N-35C05A	Stainless steel	13.3	18.3

CAD work:-	HJLW	VERSION NUMBER: 1.0	Adhesion Technologies Limited is a company registered in England and Wales. Registered number: 08419163. Registered office: The Old Dryer, Hinton Business Park, Blandford Forum, DT11 8JF	Proprietary parts illustrated in this drawing and all associated text, drawings, products, images and concepts are protected by Trademark™, Registered Design®, Copyright © and/or International Patent or Patent Pending and are the intellectual property of Adhesion Technologies Ltd. Intellectual infringement is actively prosecuted. All rights reserved including the right to reproduce this document in any form what so ever, without the prior written approval from Adhesion Technologies Ltd. E&OE.	SHEET SIZE A3	PROJECT	TREATMENT	MATERIAL Mild / Stainless Steel	TITLE Spida Base - 35mm
	Approved:-	CW			ISSUE DATE & TIME 15/09/2017	SHEET 5	SCALE 1 : 1	WEIGHT	CUSTOMER Adhesion Tec

Spida Base - 53mm

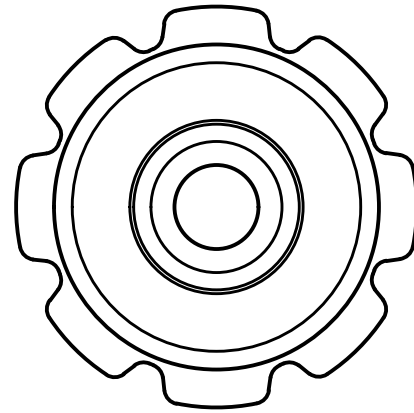
DO NOT SCALE DRAWING IF IN DOUBT - ASK 3rd ANGLE PROJECTION



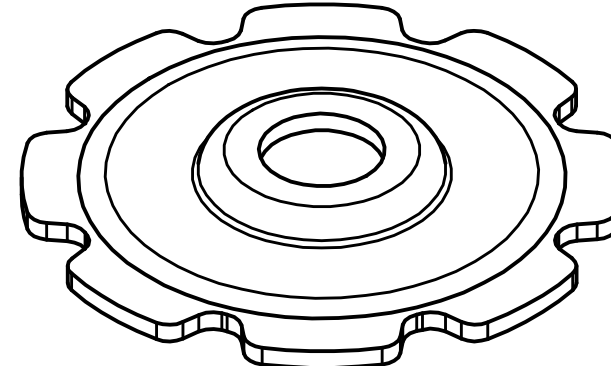
Front
Vue de face
Vorderseite



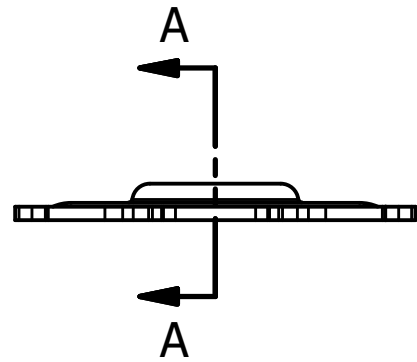
Back
Vue arrière
Rückansicht



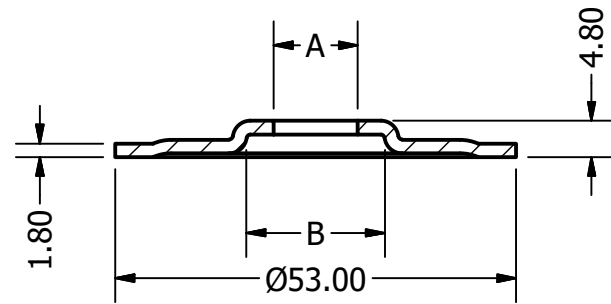
Top
Haut
Oben



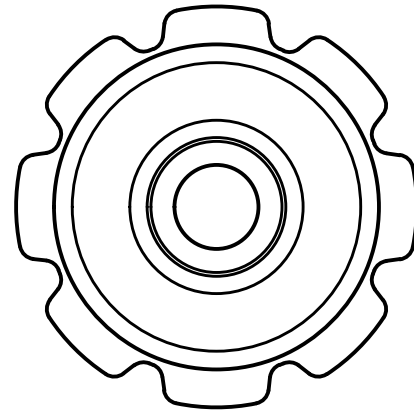
Isometric
Isométrique
Isometrisch



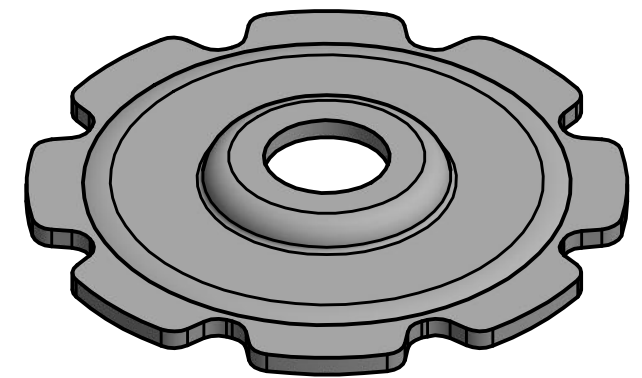
Left
Côté gauche
Linke Seite



SECTION A-A



Base
Base
Base



Mild Steel			
Part no.	Material	A - Diameter	B - Length
BAS-M8N18N-53C05C	Mild steel	9.2	18.3
BAS-M10N18N-53C05C	Mild steel	11.1	18.3
BAS-M12N18N-53C05C	Mild steel	13.3	18.3
BAS-M18N23N-53C05C	Mild steel	18.3	23.3

Stainless Steel			
Part no.	Material	A - Diameter	B - Length
BAS-M8N18N-53C05A	Stainless steel	9.2	18.3
BAS-M10N18N-53C05A	Stainless steel	11.1	18.3
BAS-M12N18N-53C05A	Stainless steel	13.3	18.3
BAS-M18N23N-53C05A	Stainless steel	18.3	23.3

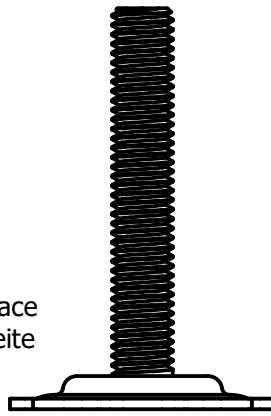
CAD work:-	HJLW	VERSION NUMBER: 1.0	Adhesion Technologies Limited is a company registered in England and Wales. Registered number: 08419163. Registered office: The Old Dryer, Hinton Business Park, Blandford Forum, DT11 8JF	Proprietary parts illustrated in this drawing and all associated text, drawings, products, images and concepts are protected by Trademark™, Registered Design®, Copyright © and/or International Patent or Patent Pending and are the intellectual property of Adhesion Technologies Ltd. Intellectual infringement is actively prosecuted. All rights reserved including the right to reproduce this document in any form what so ever, without the prior written approval from Adhesion Technologies Ltd. E&OE.	SHEET SIZE	PROJECT	TREATMENT	MATERIAL	TITLE
	Approved:-	CW			ISSUE DATE & TIME 15/09/2017	A3			Mild / Stainless Steel
					SHEET 6	SCALE 1 : 1	WEIGHT	CUSTOMER Adhesion Tec	PART NO BAS-M....

35mm Spida

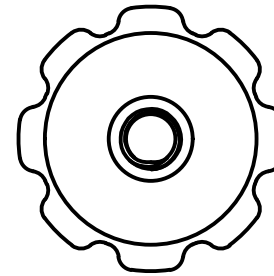
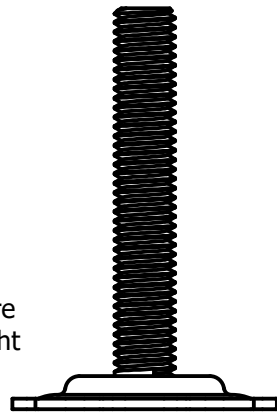
DO NOT SCALE DRAWING IF IN DOUBT - ASK 3rd ANGLE PROJECTION



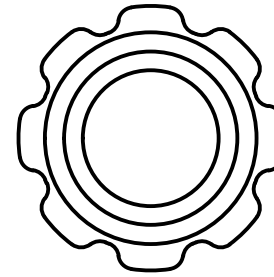
Front
Vue de face
Vorderseite



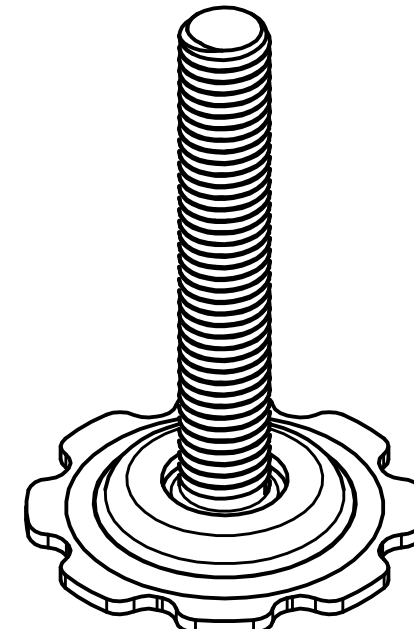
Back
Vue arrière
Rückansicht



Top
Haut
Oben

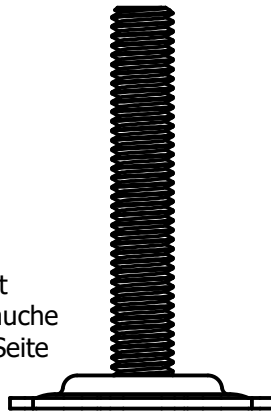


Base
Base
Base

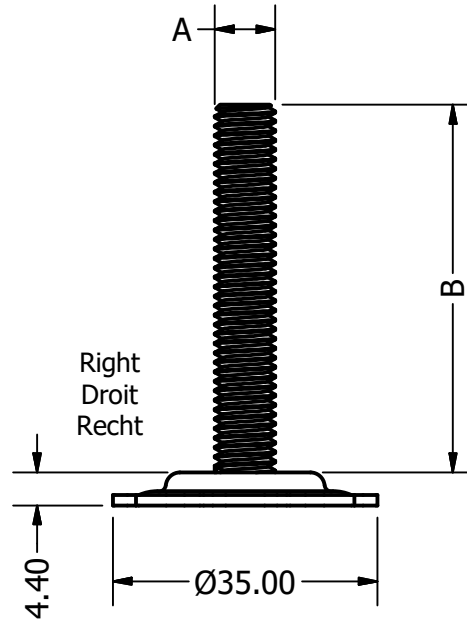


Isometric
Isométrique
Isometrisch

Left
Côté gauche
Linke Seite



Right
Droit
Recht

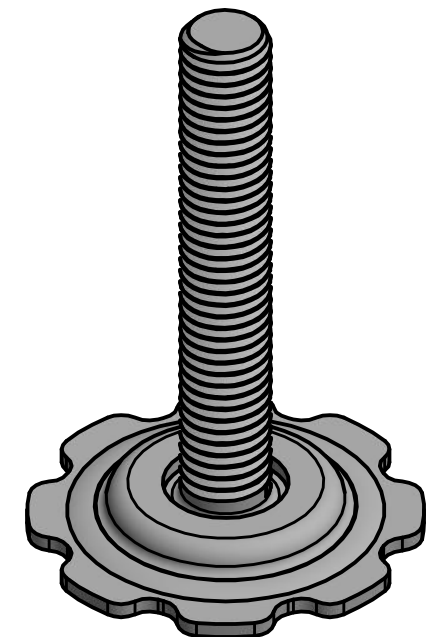


Mild Steel

Part no.	Material	A - Diameter	B - Length
STU-M4C20B-35C05C	Mild steel	M4	20
STU-M4C30B-35C05C	Mild steel	M4	30
STU-M4C50B-35C05C	Mild steel	M4	50
STU-M4C60B-35C05C	Mild steel	M4	60
STU-M6C20B-35C05C	Mild steel	M6	20
STU-M6C30B-35C05C	Mild steel	M6	30
STU-M6C50B-35C05C	Mild steel	M6	50
STU-M6C60B-35C05C	Mild steel	M6	60
STU-M8C20B-35C05C	Mild steel	M8	20
STU-M8C30B-35C05C	Mild steel	M8	30
STU-M8C50B-35C05C	Mild steel	M8	50
STU-M8C60B-35C05C	Mild steel	M8	60
STU-M10C20B-35C05C	Mild steel	M10	20
STU-M10C30B-35C05C	Mild steel	M10	30
STU-M10C50B-35C05C	Mild steel	M10	50
STU-M10C60B-35C05C	Mild steel	M10	60
STU-M12C20B-35C05C	Mild steel	M12	20
STU-M12C30B-35C05C	Mild steel	M12	30
STU-M12C50B-35C05C	Mild steel	M12	50
STU-M12C60B-35C05C	Mild steel	M12	60

Stainless Steel

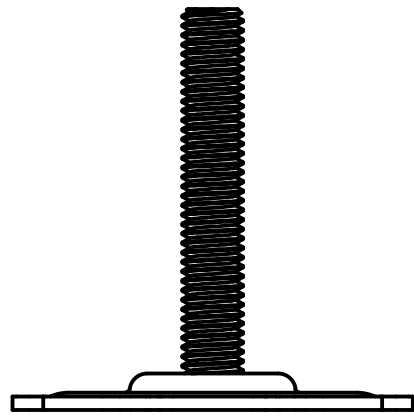
Part no.	Material	A - Diameter	B - Length
STU-M4C20A-35C05A	Stainless steel	M4	20
STU-M4C30A-35C05A	Stainless steel	M4	30
STU-M4C50A-35C05A	Stainless steel	M4	50
STU-M4C60A-35C05A	Stainless steel	M4	60
STU-M6C20A-35C05A	Stainless steel	M6	20
STU-M6C30A-35C05A	Stainless steel	M6	30
STU-M6C50A-35C05A	Stainless steel	M6	50
STU-M6C60A-35C05A	Stainless steel	M6	60
STU-M8C20A-35C05A	Stainless steel	M8	20
STU-M8C30A-35C05A	Stainless steel	M8	30
STU-M8C50A-35C05A	Stainless steel	M8	50
STU-M8C60A-35C05A	Stainless steel	M8	60
STU-M10C20A-35C05A	Stainless steel	M10	20
STU-M10C30A-35C05A	Stainless steel	M10	30
STU-M10C50A-35C05A	Stainless steel	M10	50
STU-M10C60A-35C05A	Stainless steel	M10	60
STU-M12C20A-35C05A	Stainless steel	M12	20
STU-M12C30A-35C05A	Stainless steel	M12	30
STU-M12C50A-35C05A	Stainless steel	M12	50
STU-M12C60A-35C05A	Stainless steel	M12	60



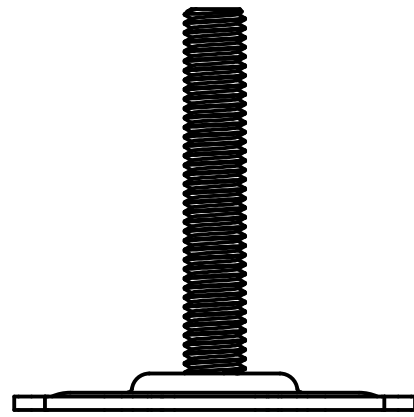
CAD work:-	HJLW	VERSION NUMBER: 1.0	Adhesion Technologies Limited is a company registered in England and Wales. Registered number: 08419163. Registered office: The Old Dryer, Hinton Business Park, Blandford Forum, DT11 8JF	Proprietary parts illustrated in this drawing and all associated text, drawings, products, images and concepts are protected by Trademark™, Registered Design®, Copyright © and/or International Patent or Patent Pending and are the intellectual property of Adhesion Technologies Ltd. Intellectual infringement is actively prosecuted. All rights reserved including the right to reproduce this document in any form what so ever, without the prior written approval from Adhesion Technologies Ltd. E&OE.	SHEET SIZE A3	PROJECT	TREATMENT	MATERIAL Mild / Stainless Steel	TITLE 35mm Spida
Approved:-	CW	ISSUE DATE & TIME 15/09/2017			SHEET 7	SCALE 1 : 1	WEIGHT	CUSTOMER Adhesion Tec	PART NO STU-M...

53mm Spida

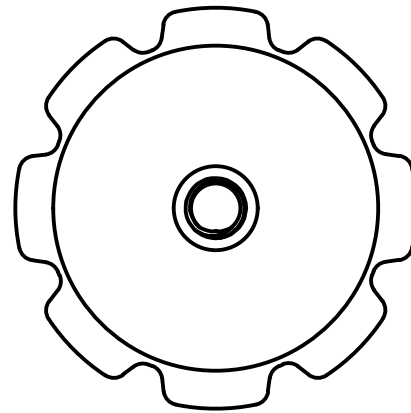
DO NOT SCALE DRAWING IF IN DOUBT - ASK 3rd ANGLE PROJECTION



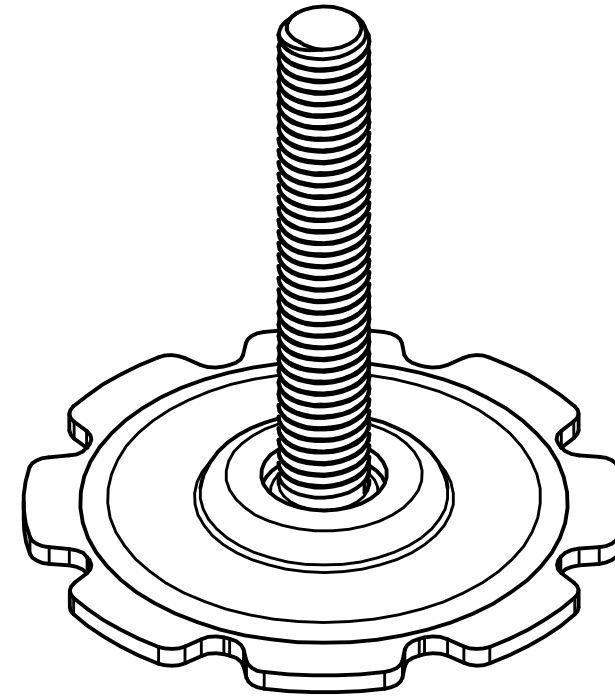
Front
Vue de face
Vorderseite



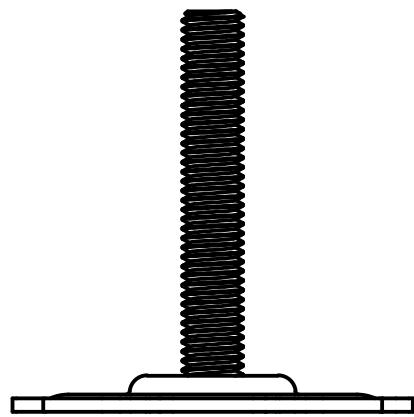
Back
Vue arrière
Rückansicht



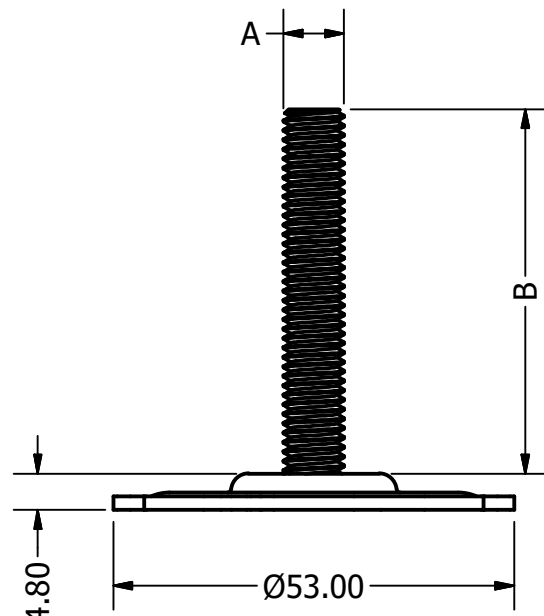
Top
Haut
Oben



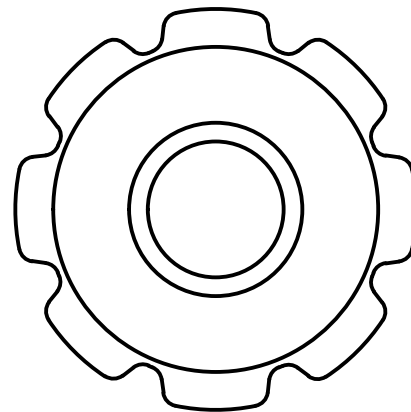
Isometric
Isométrique
Isometrisch



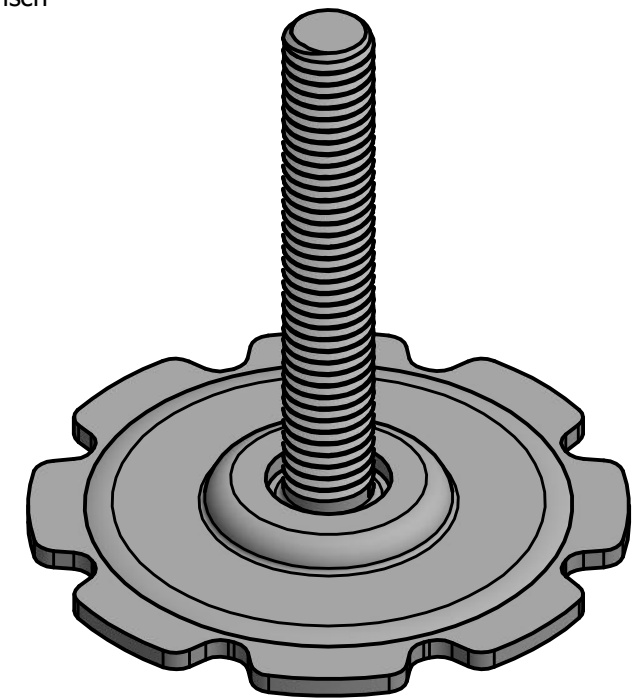
Left
Côté gauche
Linke Seite



Right
Droit
Recht



Base
Base
Base



Mild Steel

Part no.	Material	A - Diameter	B - Length
STU-M8C20B-53C05C	Mild steel	M8	20
STU-M8C30B-53C05C	Mild steel	M8	30
STU-M8C50B-53C05C	Mild steel	M8	50
STU-M8C60B-53C05C	Mild steel	M8	60
STU-M10C20B-53C05C	Mild steel	M10	20
STU-M10C30B-53C05C	Mild steel	M10	30
STU-M10C50B-53C05C	Mild steel	M10	50
STU-M10C60B-53C05C	Mild steel	M10	60
STU-M12C20B-53C05C	Mild steel	M12	20
STU-M12C30B-53C05C	Mild steel	M12	30
STU-M12C50B-53C05C	Mild steel	M12	50
STU-M12C60B-53C05C	Mild steel	M12	60

Stainless Steel

Part no.	Material	A - Diameter	B - Length
STU-M8C20A-53C05A	Stainless steel	M8	20
STU-M8C30A-53C05A	Stainless steel	M8	30
STU-M8C50A-53C05A	Stainless steel	M8	50
STU-M8C60A-53C05A	Stainless steel	M8	60
STU-M10C20A-53C05A	Stainless steel	M10	20
STU-M10C30A-53C05A	Stainless steel	M10	30
STU-M10C50A-53C05A	Stainless steel	M10	50
STU-M10C60A-53C05A	Stainless steel	M10	60
STU-M12C20A-53C05A	Stainless steel	M12	20
STU-M12C30A-53C05A	Stainless steel	M12	30
STU-M12C50A-53C05A	Stainless steel	M12	50
STU-M12C60A-53C05A	Stainless steel	M12	60

CAD work:-	HJLW	VERSION NUMBER: 1.0
Approved:-	CW	ISSUE DATE & TIME 15/09/2017

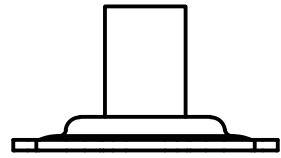
Adhesion Technologies Limited is a company registered in England and Wales. Registered number: 08419163. Registered office: The Old Dryer, Hinton Business Park, Blandford Forum, DT11 8JF

Proprietary parts illustrated in this drawing and all associated text, drawings, products, images and concepts are protected by Trademark™, Registered Design®, Copyright © and/or International Patent or Patent Pending and are the intellectual property of Adhesion Technologies Ltd. Intellectual infringement is actively prosecuted. All rights reserved including the right to reproduce this document in any form what so ever, without the prior written approval from Adhesion Technologies Ltd. E&OE.

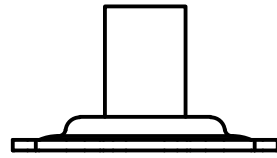
SHEET SIZE A3	PROJECT	TREATMENT	MATERIAL Mild / Stainless Steel	TITLE 53mm Spida
SHEET 8	SCALE 1 : 1	WEIGHT	CUSTOMER Adhesion Tec	PART NO STU-M...

35mm Spida Standoff

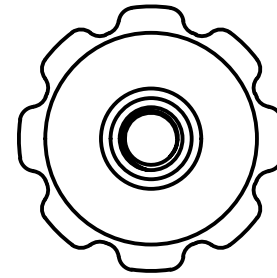
DO NOT SCALE DRAWING IF IN DOUBT - ASK 3rd ANGLE PROJECTION



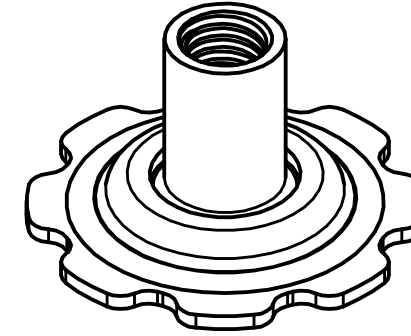
Front
Vue de face
Vorderseite



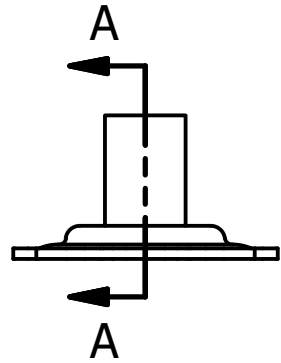
Back
Vue arrière
Rückansicht



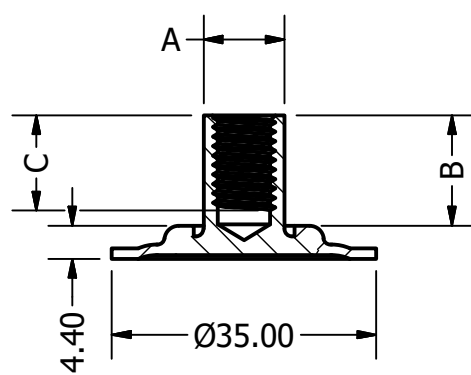
Top
Haut
Oben



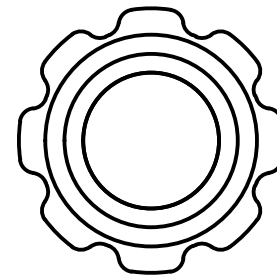
Isometric
Isométrique
Isometrisch



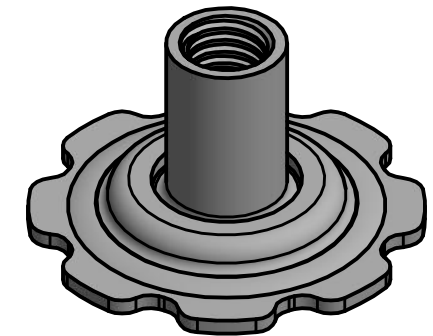
Left
Côté gauche
Linke Seite



SECTION A-A



Base
Base
Base



Mild Steel

Part no.	Material	Diameter	A - Outer D	B - Height	C - Thread length (mm)
BST-M4C8B-35C05C	Mild steel	M4	7.1	6.6	5
BST-M6C12B-35C05C	Mild steel	M6	8.9	10.6	8
BST-M8C16B-35C05C	Mild steel	M8	10.7	14.6	11.5

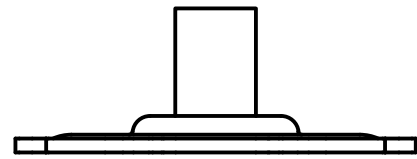
Stainless Steel

Part no.	Material	Diameter	A - Outer D	B - Height	C - Thread length (mm)
BST-M4C8A-35C05A	Stainless steel	M4	7.1	6.6	5
BST-M6C12A-35C05A	Stainless steel	M6	8.9	10.6	8
BST-M8C16A-35C05A	Stainless steel	M8	10.7	14.6	11.5

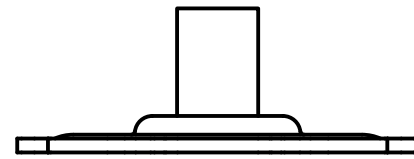
CAD work:-	HJLW	VERSION NUMBER: 1.0	Adhesion Technologies Limited is a company registered in England and Wales. Registered number: 08419163. Registered office: The Old Dryer, Hinton Business Park, Blandford Forum, DT11 8JF	Proprietary parts illustrated in this drawing and all associated text, drawings, products, images and concepts are protected by Trademark™, Registered Design®, Copyright © and/or International Patent or Patent Pending and are the intellectual property of Adhesion Technologies Ltd. Intellectual infringement is actively prosecuted. All rights reserved including the right to reproduce this document in any form what so ever, without the prior written approval from Adhesion Technologies Ltd. E&OE.	SHEET SIZE A3	PROJECT	TREATMENT	MATERIAL Mild / Stainless Steel	TITLE 35mm Spida Standoff
	Approved:-	CW			ISSUE DATE & TIME 15/09/2017	SHEET 9	SCALE 1 : 1	WEIGHT	CUSTOMER Adhesion Tec

53mm Spida Standoff

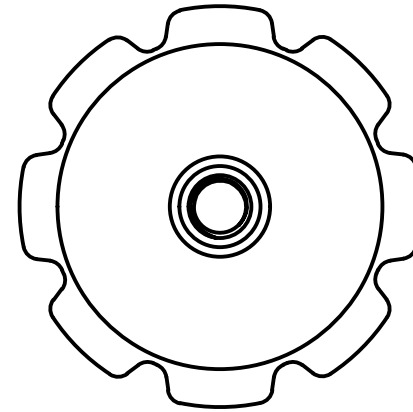
DO NOT SCALE DRAWING IF IN DOUBT - ASK 3rd ANGLE PROJECTION



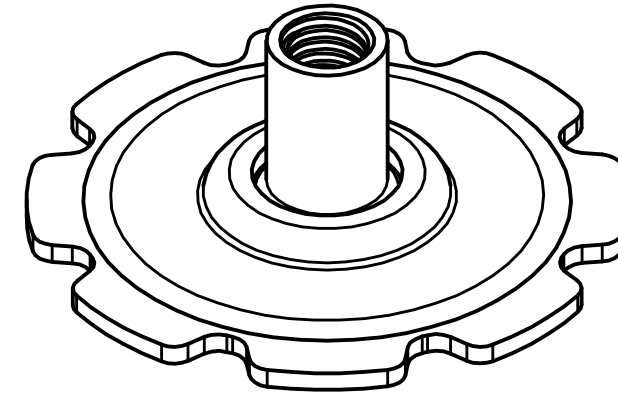
Front
Vue de face
Vorderseite



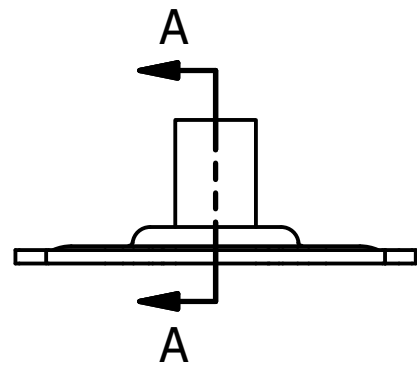
Back
Vue arrière
Rückansicht



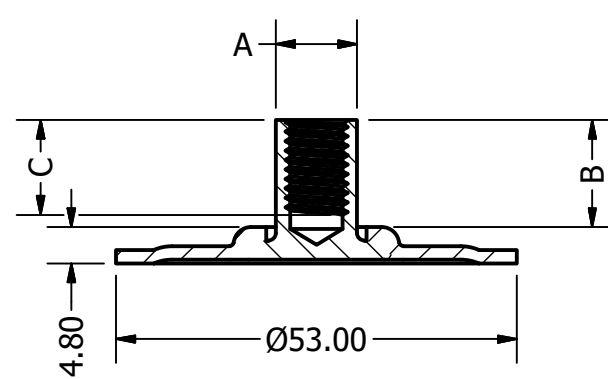
Top
Haut
Oben



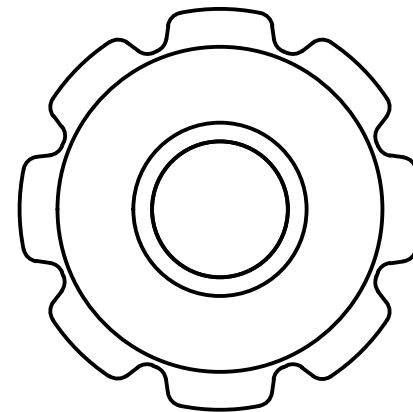
Isometric
Isométrique
Isometrisch



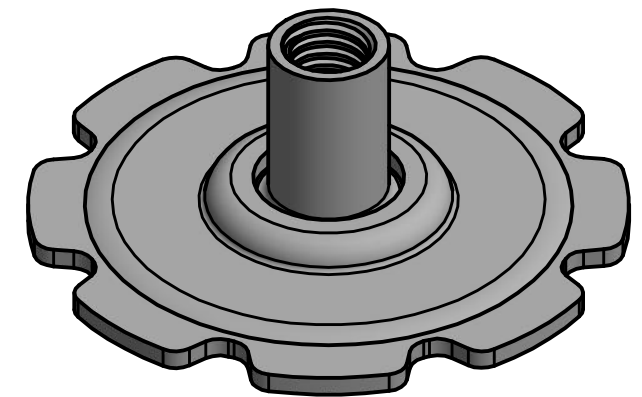
Left
Côté gauche
Linke Seite



SECTION A-A



Base
Base
Base



Mild Steel					
Part no.	Material	Diameter	A - Outer D	B - Height	C - Thread length (mm)
BST-M4C8B-53C05C	Mild steel	M4	7.1	6.2	5
BST-M6C12B-53C05C	Mild steel	M6	8.9	10.2	8
BST-M8C16B-53C05C	Mild steel	M8	10.7	14.2	11.5
BST-M10C20B-53C05C	Mild steel	M10	15.9	18.2	14.5
BST-M12C24B-53C05C	Mild steel	M12	15.9	22.2	17.5

Stainless Steel					
Part no.	Material	Diameter	A - Outer D	B - Height	C - Thread length (mm)
BST-M4C8A-53C05A	Stainless steel	M4	7.1	6.2	5
BST-M6C12A-53C05A	Stainless steel	M6	8.9	10.2	8
BST-M8C16A-53C05A	Stainless steel	M8	10.7	14.2	11.5
BST-M10C20A-53C05A	Stainless steel	M10	15.9	18.2	14.5
BST-M12C24A-53C05A	Stainless steel	M12	15.9	22.2	17.5

CAD work:-	HJLW	VERSION NUMBER: 1.0	Adhesion Technologies Limited is a company registered in England and Wales. Registered number: 08419163. Registered office: The Old Dryer, Hinton Business Park, Blandford Forum, DT11 8JF	Proprietary parts illustrated in this drawing and all associated text, drawings, products, images and concepts are protected by Trademark™, Registered Design®, Copyright © and/or International Patent or Patent Pending and are the intellectual property of Adhesion Technologies Ltd. Intellectual infringement is actively prosecuted. All rights reserved including the right to reproduce this document in any form what so ever, without the prior written approval from Adhesion Technologies Ltd. E&OE.	SHEET SIZE A3	PROJECT	TREATMENT	MATERIAL Mild / Stainless Steel	TITLE 53mm Spida Standoff
	Approved:-	CW			ISSUE DATE & TIME 15/09/2017	SHEET 10	SCALE 1 : 1	WEIGHT	CUSTOMER Adhesion Tec

X-ON Electronics

Largest Supplier of Electrical and Electronic Components

Click to view similar products for [spida fixings](#) manufacturer:

Other Similar products are found below :

[SPIDA FIXINGS](#)