

PRODUCTS IN THE RANGE

- Wire Wrapping

To NFC 93 522 French specification

- Operating voltage: 350 Volts

- Operating temperature: according to the insulation

Main characteristics:

- These wires are designed for wire-wrapping connection consisting in winding a wire helically around a metallic terminal without any soldering operation.
- Fast and robust connections.

CONSTRUCTION

1- CONDUCTOR:

solid silvered copper wires

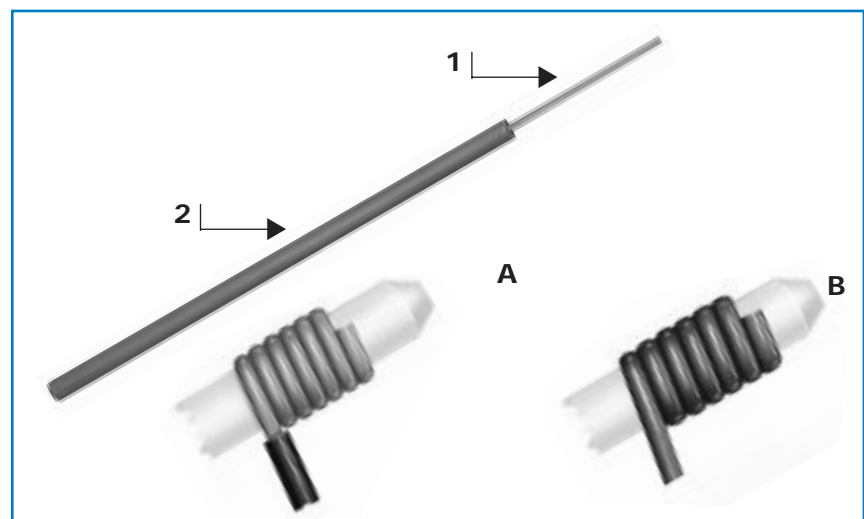
2- INSULATION:

polyvinyl chloride (PVC)
or
ethylene and tetrafluorethylene copolymer (E.T.F.E.)
or
polyfluoride of vinylidene (PVF2)
or
polytetrafluorethylene (P.T.F.E.)

WIRE-WRAPPING PROCEDURE

Method **A**: conductor only wrapped around pin.

Method **B**: conductor with insulation wrapped around pin (better elasticity of connection).



HOOK-UP WIRES FOR WIRE-WRAPPING

Reference NFC 93 522	Reference FILOTEX	CONDUCTOR			Insulat. nature	Overall diameter		Average weight
		Gauge AWG	Cross section mm ²	Construction n x Ø mm		mini	maxi	
						mm		Kg/Km
KW 01-30 C1	WCP 30	30	0.05	1 x 0.254	PVC	0.48	0.58	0.73
KW 01-28 C1	WCP 28	28	0.08	1 x 0.32	PVC	0.57	0.67	1.05
KW 01-26 C1	WCP 26	26	0.12	1 x 0.40	PVC	0.69	0.79	1.65
KW 01-24 C1	WCP 24	24	0.20	1 x 0.51	PVC	1.00	1.10	2.80
KW 02-30 C1	WCY 30	30	0.05	1 x 0.254	PVF ₂	0.48	0.58	0.88
KW 02-28 C1	WCY 28	28	0.08	1 x 0.32	PVF ₂	0.57	0.67	1.25
KW 02-26 C1	WCY 26	26	0.12	1 x 0.40	PVF ₂	0.69	0.79	1.85
KW 02-24 C1	WCY 24	24	0.20	1 x 0.51	PVF ₂	1.00	1.10	3.30
KW 02-30 B1	WCZ 30	30	0.05	1 x 0.254	ETFE	0.48	0.58	0.79
KW 02-28 B1	WCZ 28	28	0.08	1 x 0.32	ETFE	0.57	0.67	1.12
KW 02-26 B1	WCZ 26	26	0.12	1 x 0.40	ETFE	0.69	0.79	1.85
KW 02-24 B1	WCZ 24	24	0.20	1 x 0.51	ETFE	1.00	1.10	2.90
KW 03-30 A2	WCT 30	30	0.05	1 x 0.254	PTFE	0.48	0.58	0.88
KW 03-28 A2	WCT 28	28	0.08	1 x 0.32	PTFE	0.57	0.67	1.25
KW 03-26 A2	WCT 26	26	0.12	1 x 0.40	PTFE	0.69	0.79	1.90
KW 03-24 A2	WCT 24	24	0.20	1 x 0.51	PTFE	1.00	1.10	3.30

OPERATING TEMPERATURES	
Insulation	Temperature
PCV	- 40°C up to + 85°C
PVF ₂	- 60°C up to + 130°C
ETFE	- 60°C up to + 150°C
PTFE	- 90°C up to + 200°C

- For connections on automatic machines, we manufacture these wires with smaller dimensional tolerances. Please, consult us.

X-ON Electronics

Largest Supplier of Electrical and Electronic Components

Click to view similar products for [nexans](#) manufacturer:

Other Similar products are found below :

[M22759/34-16-0](#) [3X1YY50](#) [30-286-22-1](#) [M27500-20ML1T08](#) [2112/10-1SJ-24](#) [2112/10-1SJ-22](#) [M22759/87-16-96](#) [M22759/32-20-2](#)
[M81044/12-16-9](#) [SUPERPOL 10](#) [M81044/9-8-9](#) [2112/10-14\(GAW805AB14\)](#) [M22759/87-12-9](#) [M22759/34-22-2](#) [M81044/12-22-9](#)
[M22759/92-20-2](#) [EN2714-013A004F](#) [M22759/44-16-9](#) [M22759/34-16-9](#) [M22759/187-16-96](#) [M22759/43-24-6](#) [M22759/41-24-9](#) [M27500-](#)
[24SB1T23](#) [M22759/81-22-5](#) [M81044/12-16-5](#) [30-284-14-2](#) [M81044/12-20-9](#) [M81044/9-10-9](#) [M27500-24SN3N23](#) [M22759/43-24-8](#)
[M22759/34-20-0](#) [M22759/33-26-7](#) [M22759/32-24-9](#) [M22759/43-10-9](#) [M22759/41-20-9](#) [HM2N18-9](#) [2698096-5999](#) [M22759/91-12-9](#)
[M22759/43-24-5](#) [M22759/43-24-7](#) [M22759/11-20-9](#) [13-DRX23P03P](#) [30-285-22-2](#) [M27500-22TG5T14](#) [M22759/33-26-9](#) [13-DRS26P04P-V1](#)
[M22759/33-26-3](#) [M22759/34-14-9](#) [M22759/91-20-2](#) [M22759/87-16-6](#)