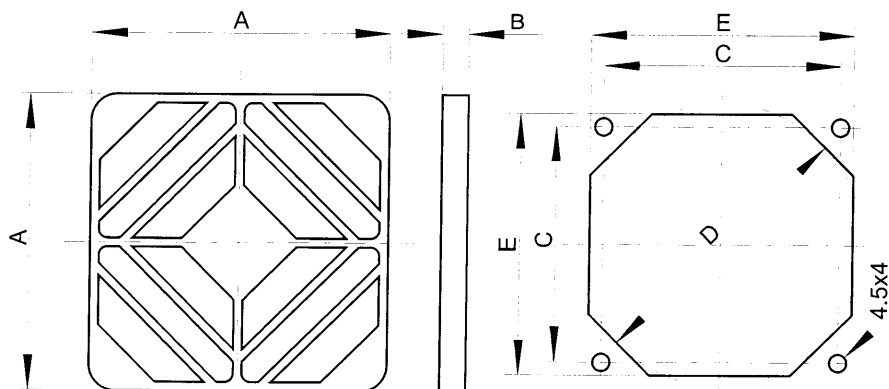


SEPA[®] ZUBEHÖR/ACCESSORIES

EMV-SCHUTZGITTER / EMC FAN GUARDS



EMV-Schutzgitter für Lüftergrößen 80x80 bis 119x119mm. Diese Schutzgitter bestehen aus metallisiertem Kunststoff, silberfarben, und einem Metallnetz. Damit wird eine hohe EMV-Filterwirkung bei Frequenzen zwischen 1MHz und 1GHz bei niedrigen Kosten erreicht. Das Metallnetz muß einen direkten elektrischen Kontakt zur metallischen Oberfläche des Gerätegehäuses haben.

EMC fan guards for fans 80x80 up to 119x119mm. The guards are made from silver covered plastic and include a metal-wire net. This allows the shielding against electromagnetic waves in a range between 1MHz and 1GHz at low cost. The metal-wire net must have direct contact with the metallic surface of the device housing.

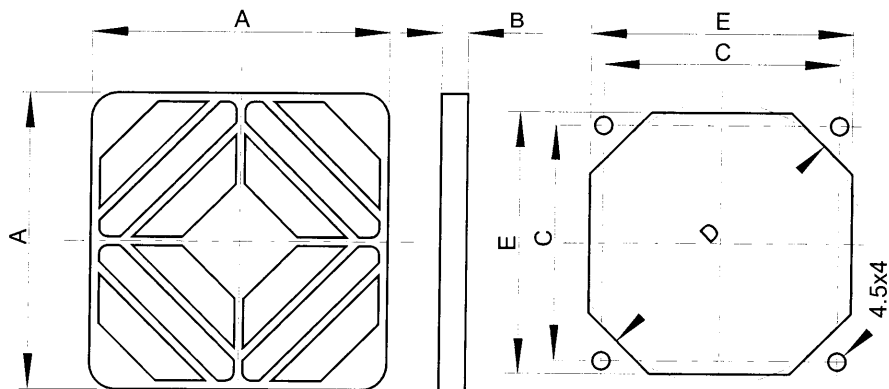
Art-No.	Model	Fan Size [mm]	Dimension [mm] A/B/C/D/E	Packing [PCs]
918030000	EMVG80	80x80	86/5.5/71.4/90/77	100
919230000	EMVG92	92x92	97/5.5/82.5/98/88	100
911230000	EMVG120	119x119	126/6.5/105/125/116	100

Andere Abmessungen auf Anfrage

Other dimensions available on request

SEPA[®] ZUBEHÖR/ACCESSORIES

EMV+STAUBSCHUTZ / EMC+DUST PROTECTION



EMV-Schutzgitter für Lüftergrößen 80x80 bis 119x119mm. Diese Schutzgitter bestehen aus 3 Teilen: Der äußere Rahmen, die Staubfiltermatte und das EMV-Gitter aus metallisiertem Kunststoff, silberfarben, und einem Metallnetz. Damit wird eine hohe EMV-Filterwirkung bei Frequenzen zwischen 1MHz und 1GHz bei niedrigen Kosten erreicht. Das Metallnetz muß einen direkten elektrischen Kontakt zur metallischen Oberfläche des Gerätegehäuses haben.

EMC fan guards for fans 80x80 up to 119x119mm. The guards are made from silver covered plastic and include a metal-wire net. This allows the shielding against electromagnetic waves in a range between 1MHz and 1GHz at low cost. The metal-wire net must have direct contact with the metallic surface of the device housing.

Art-No.	Model	Fan Size [mm]	Dimension [mm] A/B/C/D/E	Packing [PCs]
928030000	EMVIP80	80x80	86/12.2/71.4/90/77	50
929230000	EMVIP92	92x92	97/12.2/82.5/98/88	50
921230000	EMVIP120	119x119	126/13/105/125/116	50

Andere Abmessungen auf Anfrage

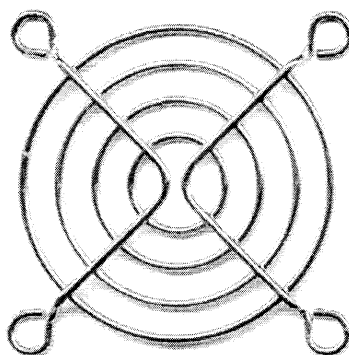
Other dimensions available on request

SEPA[®] ZUBEHÖR / ACCESSORIES

FGxx, FGxxK, LFGxx, EFxx, LFKx

CE

METAL FAN GUARDS



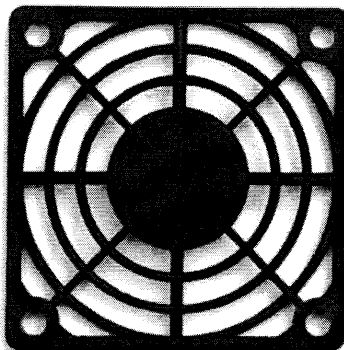
Finger guards for standardized fan sizes 25x25mm up to 172x150mm. Material: steel wire chromium plated.

Art. No.	Type	for Fan Size [mm]	Nbr. of Rings	Height [mm]	Packing [PCs]
912510000	FG25 Fan Guard	25x25	2	5	100
914010000	FG40 Fan Guard	40x40	2	5	100
915010000	FG50 Fan Guard	50x50	3	5	100
916010000	FG60 Fan Guard	60x60	4	5	100
918010000	FG80 Fan Guard	80x80	5	5	100
919210000	FG92 Fan Guard	92x92	6	5	100
911210000	FG120 Fan Guard	120x120	8	5.7	100
915110000	FG150 Fan Guard	172x150	9/10	6.5	100

PLASTIC FAN GUARDS

Plastic finger guards for standardized fan sizes 40x40mm up to 120x120mm. Material: ABS, black. Outer dimensions equal to fan sizes.

Appearance could be different

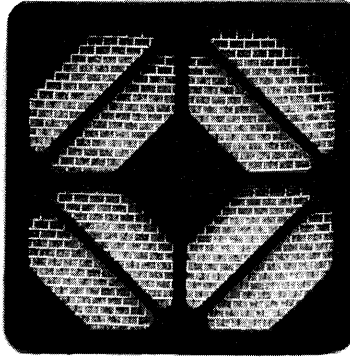


Art. No.	Type	for Fan Size [mm]	Colour	Height	Packing [PCs]
916020000	FG60K Fan Guard	60x60	black	7.3	100
918020000	FG80K Fan Guard	80x80	black	7.3	100
919220000	FG92K Fan Guard	92x92	black	7.3	100
911220000	FG120K Fan Guard	120x120	black	7.3	100

DUST-FILTERS THREE-PART

The plastic filter of the LFG series offers an IP45 level of protection, according to publication IEC592. Its components are the fan guard, the clip-on lid and the filter blanket. When the filter blanket is saturated with dust, it can be vacuum cleaned or washed with water and detergent and used again. We recommend regular cleanups, depending on the dust contamination in the environment to avoid a decrease in performance.

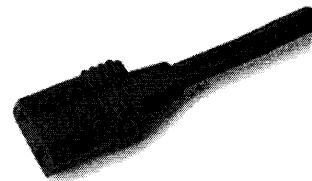
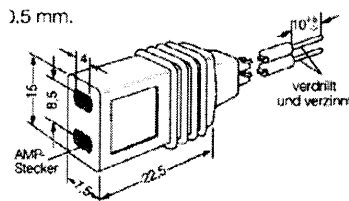
Appearance could be different



Art. No.	Type	for Fan Size [mm]	Dimension [mm]	Packing [PCs]
924020045	LFG40-45 Dust Filter three-part	40x40mm, 45ppi	39.9 x 4.8	100
926020045	LFG60-45 Dust Filter three-part	60x60mm, 45ppi	60 x 6.4	100
928020045	LFG80-45 Dust Filter three-part	80x80mm, 45ppi	83.6 x 10.0	100
929220045	LFG92-45 Dust Filter three-part	92x92mm, 45ppi	96.5 x 10.0	100
921220045	LFG120-45 Dust Filter three-part	120x120mm, 45ppi	123.7 x 10.8	100
924020045	EF40-45 Filter Blanket	40x40mm, 45ppi	-	100
926020145	EF60-45 Filter Blanket	60x60mm, 45ppi	-	100
928020145	EF80-45 Filter Blanket	80x80mm, 45ppi	-	100
929220145	EF92-45 Filter Blanket	92x92mm, 45ppi	-	100
921220145	EF120-45 Filter Blanket	120x120mm, 45ppi	-	100

POWER LEADS FOR AC-FANS

Purpose of product: Quick connection or disconnection of fans with standard terminal male plugs. 2.8x0.3mm, colour black, length 960 mm (other types on request).



Art. No.	Type	for AC-fans with standard terminals	Length [mm]	Colour	Packing [PCs]
911032000	Fan Power Lead	LFK1	960	black	50

X-ON Electronics

Largest Supplier of Electrical and Electronic Components

Click to view similar products for [sepa](#) manufacturer:

Other Similar products are found below :

[MFB60D05](#) [HXB50E12](#) [FG80](#) [MFB25B05](#) [FG40](#) [MFB50E12](#) [HFB44B12A](#) [MFB40H12A](#) [FG92](#) [MFB40H12](#) [FG30](#) [FG50](#) [FM120](#) [FG120](#)
[FM80](#)