

## NTE104 Germanium PNP Transistor Audio Frequency Power Amplifier

**Description:**

The NTE104 is a Germanium PNP Alloy Junction transistor in a TO3 type package designed as an audio frequency power output amplifier.

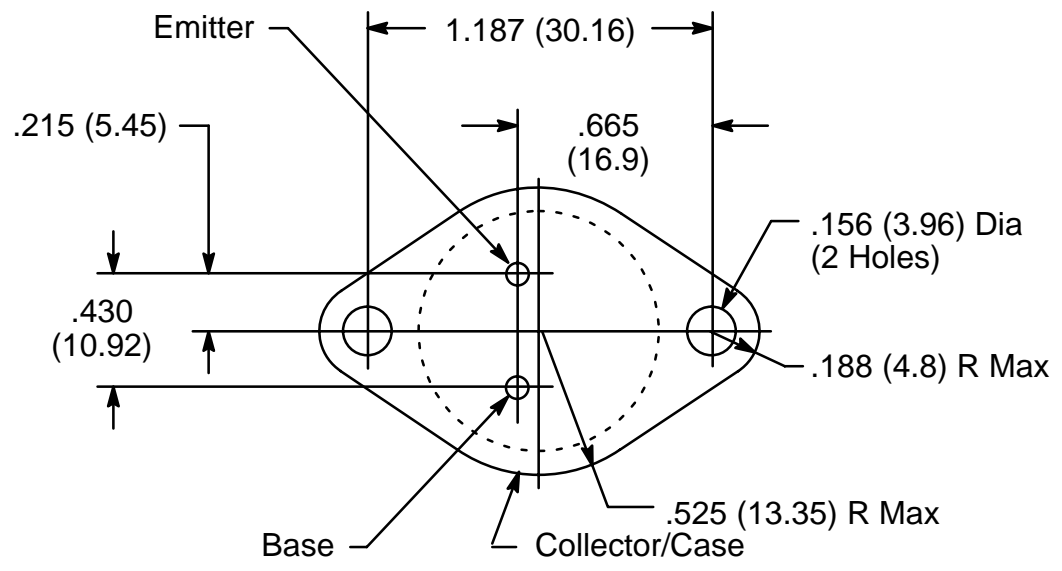
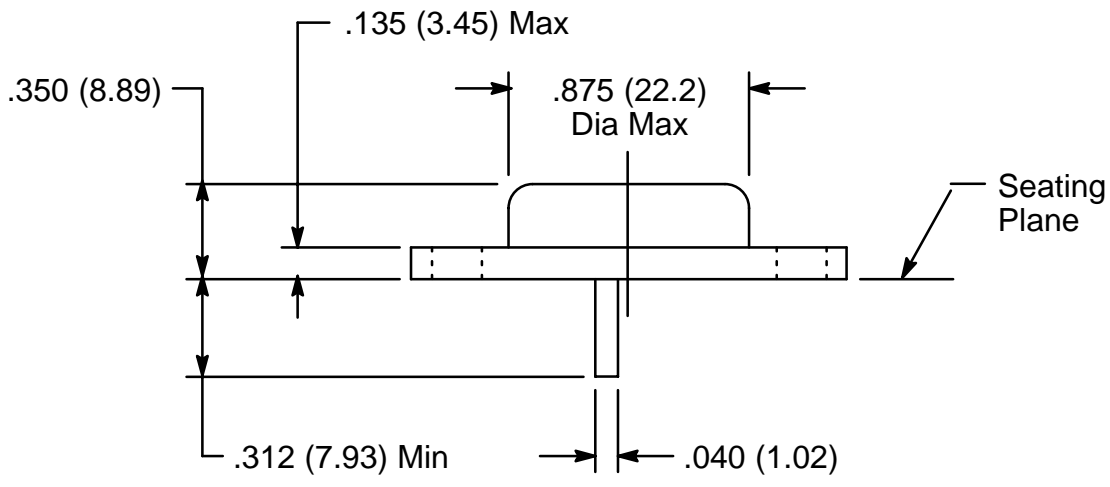
**Absolute Maximum Ratings:** ( $T_A = +25^\circ\text{C}$  unless otherwise specified)

Collector–Base Voltage, $V_{CBO}$ .....	50V
Collector–Emitter Voltage ( $R_{BE} = 68\Omega$ ), $V_{CER}$ .....	35V
Emitter–Base Voltage, $V_{EBO}$ .....	10V
Collector Current, $I_C$ .....	10A
Emitter Current, $I_E$ .....	10A
Base Current, $I_B$ .....	3A
Power Dissipation ( $T_C \leq +55^\circ\text{C}$ ), $P_D$ .....	90W
Operating Junction Temperature, $T_J$ .....	$+100^\circ\text{C}$
Storage Temperature Range, $T_{stg}$ .....	$-55^\circ$ to $+100^\circ\text{C}$

Note 1. Matched pairs are available upon request (NTE104MP). Matched pairs have their gain specification ( $h_{FE}$ ) matched to within 10% of each other.

**Electrical Characteristics:** ( $T_A = +25^\circ\text{C}$  unless otherwise specified)

Parameter	Symbol	Test Conditions	Min	Typ	Max	Unit
Collector–Emitter Breakdown Voltage	$V_{(BR)CER}$	$I_{C(peak)} = -0.6A, R_{BE} = 68\Omega$	35	–	–	V
Collector Cutoff Current	$I_{CBO}$	$V_{CB} = 30V, I_E = 0$	–	–	1.0	mA
DC Current Gain	$h_{FE}$	$V_{CE} = 2V, I_C = 20mA$	50	90	165	
Base–Emitter Input Voltage	$V_{BE}$	$V_{CE} = 2V, I_C = 1A$	–	0.38	–	V
Collector–Emitter Saturation Voltage	$V_{CE(sat)}$	$I_C = 4A, I_B = 0.4A$	–	0.29	–	V
Transition Frequency	$f_T$	$V_{CB} = 2V, I_E = 1A$	–	300	–	kHz



## X-ON Electronics

Largest Supplier of Electrical and Electronic Components

*Click to view similar products for [nte manufacturer](#):*

Other Similar products are found below :

[747](#) [797](#) [868](#) [1724](#) [NEH680M50FE](#) [NEHH1.0M450CB](#) [NTE48](#) [NTE526A](#) [228A](#) [231](#) [954](#) [2023](#) [47-20848-R](#) [510](#) [R04-11A30-120](#) [04-SLPE3750A](#) [5615](#) [591](#) [7056](#) [NTE5710](#) [7448](#) [NEH.10M50AA](#) [NEH2.2M63AA](#) [NEH330M35DD](#) [NEH33M10AA](#) [NEV.22M100AA](#) [TP0006-100](#) [NTE182](#) [NTE528](#) [NTE542](#) [NTE74154](#) [WH20-02-25](#) [04-SCBW25L-BK](#) [04-SCBW32L-BK](#) [04-SCW10C-BK](#) [04-SCBW19L-GR](#) [04-SCW19L-WH](#) [04-SCW19L-OR](#) [04-SCW38L-WH](#) [04-SCBW50L-OR](#) [04-SCBW50L-GR](#) [04-SCW10C-GR](#) [04-SCW10C-OR](#) [04-SCBW32L-GR](#) [04-SCBW32L-WH](#) [04-SCBW32L-OR](#) [04-SCBW6C-WH](#) [04-SCBW6C-GR](#) [04-SCBW6C-OR](#) [04-SCBW25L-GR](#)