



Compact LCD bi-directional counter modules available with or without front panel reset pushbutton

A very compact totalizing counter module for printed circuit board mounting. 8 digit, 8mm high, LCD display. Powered by an external lithium battery (not supplied), memory and operation are maintained for a typical life of 8 to 10 years.

Its bidirectional counting inputs, accepts count pulses on one input while a second input commands the counting direction.

PCB solder-pins are provided for electrical connections and molded posts are provided to align mounting position with holes in the host printed circuit board.

- 8 digit high contrast LCD characters
- Leading zero blanking
- Add & subtract operation
- Available with or without front panel reset
- Remote reset input
- External battery life of 8 to 10 years when using 1/2 AA, 900mAH, 3 volt lithium cell

Standard models are available with, or without, a front panel reset button. All models feature remote electronic reset to zero

SPECIFICATIONS

Supply voltage: 2.6 - 3.4VDC

Current consumption: Less than 10µA, typically 5µA

Display: 8 digit, 8mm high contrast LCD characters with leading zero blanking

High Speed Count Input: 5kHz maximum, positive edge triggered, 0.7v threshold, 100µS minimum pulse length, TTL/CMOS Compatible

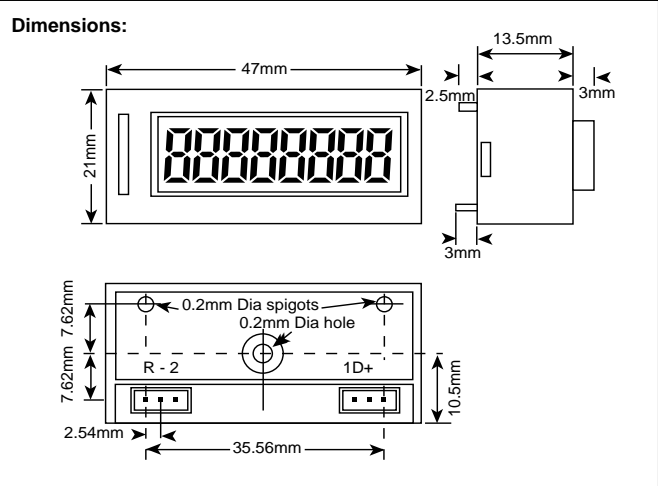
Low Speed Count Input: Contact closure/open collector input, 20Hz maximum, negative edge triggered, 0.7v threshold, 25mS minimum pulse length

Reset Input: Contact closure/open collector, negative edge triggered, 0.7v threshold, 15mS minimum pulse length

Direction Input: Electronic input TTL/CMOS Compatible. Add=logic 1, Subtract=logic 0(0V)

Operating temperature: -10°C to +60°C

Storage temperature: -20°C to +70°C



Model Number	Description
0799988-412	Totalizing Counter, with reset button
0799988-402	Totalizing Counter, without reset button

See Section 5 for matching MicroMITE elapsed time indicators. Models 799988-602/612

X-ON Electronics

Largest Supplier of Electrical and Electronic Components

Click to view similar products for [veeder root](#) manufacturer:

Other Similar products are found below :

[0166726-006](#) [0195316-051](#) [0116425-007](#) [0149000-101](#) [RFMT00R](#) [RFMV00](#) [RFXDC10](#) [RFXP10](#) [RFXS00](#) [RFXT00](#) [C346-0411](#) [C346-0422](#) [C628-20052](#) [C628-20300](#) [C628-40050](#) [C628-41002](#) [C628-41300](#) [C628-81002](#) [C628-90000](#) [S628-20300](#) [A103-A14](#) [RFMSK00](#) [RFMT00](#) [RFMV00R](#) [RFXD00](#) [RFXD10](#) [RFXS10](#) [C342-1562](#) [C346-0513](#) [C628-20000](#) [C628-20002](#) [C628-21350](#) [C628-40000](#) [C628-40002](#) [C628-40052](#) [C628-41302](#) [C628-51002](#) [C628-60002](#) [0317680-001](#) [0703006-003](#) [0726845-001](#) [0727245-001](#) [0743425-003](#) [0743425-005](#) [0744386-211](#) [0745815-001](#) [0779526-201](#) [0779565-216](#) [0727235-001](#) [0743045-001](#)