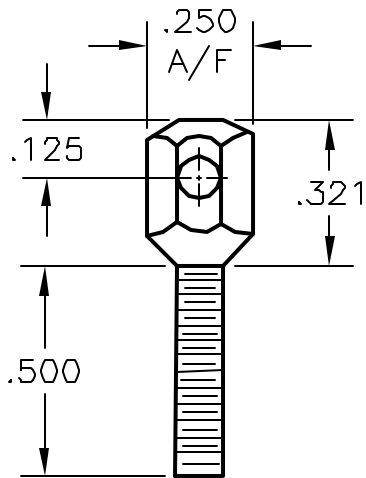
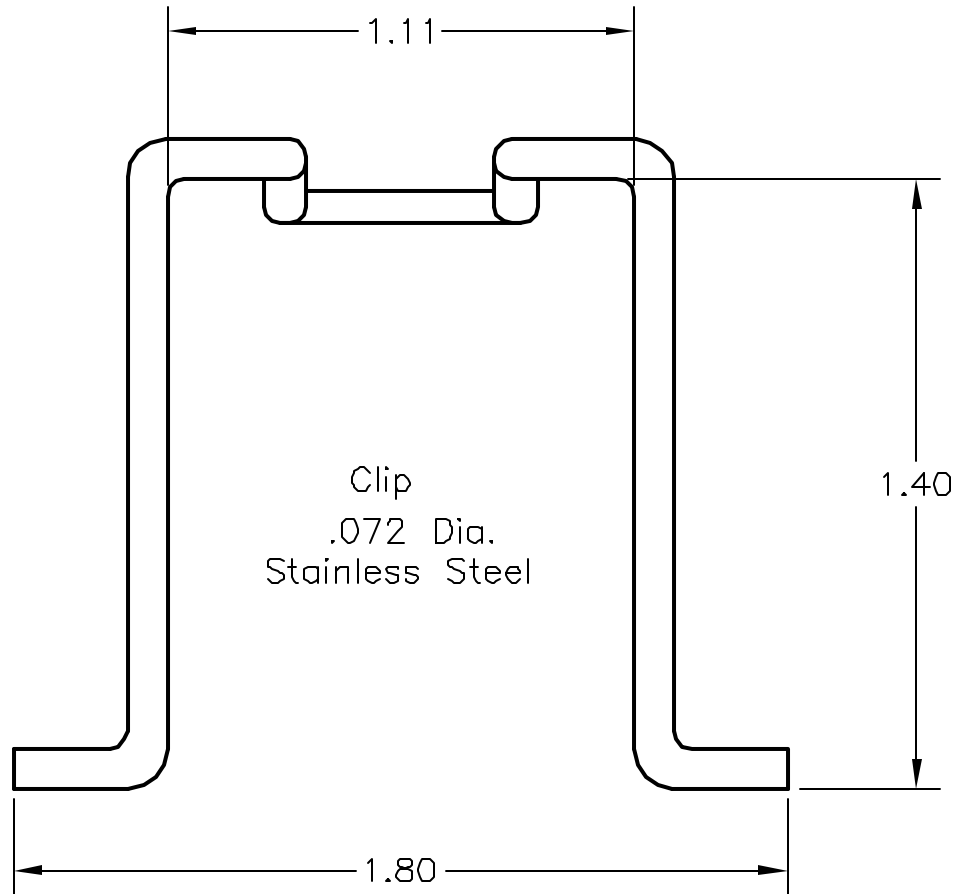


ALL RIGHTS RESERVED. NO PORTION OF THIS PUBLICATION, WHETHER IN WHOLE OR IN PART CAN BE REPRODUCED WITHOUT THE EXPRESS WRITTEN CONSENT OF SPC TECHNOLOGY.

REVISIONS			DOC. NO. SPC-F004 * Effective: 12/21/98 * DCP No: 680					
DCP #	REV	DESCRIPTION	DRAWN	DATE	CHECKD	DATE	APPRVD	DATE
666	A	Released	JWM	2/18/00	JC	2/4/00	DJC	4/5/00



Screw
6 BA Brass, Nickel Plated



Washer
26 S.W.G. Brass
Nickel Plated



Hex Nut
6 BA, .193 A/F x .110 Thk
Brass, nickel plated

SPC-F004.DWG

DISCLAIMER:
ALL STATEMENTS AND TECHNICAL INFORMATION CONTAINED HEREIN ARE BASED UPON INFORMATION AND/OR TESTS WE BELIEVE TO BE ACCURATE AND RELIABLE. SINCE CONDITIONS OF USE ARE BEYOND OUR CONTROL, THE USER SHALL DETERMINE THE SUITABILITY OF THE PRODUCT FOR THE INTENDED USE AND ASSUME ALL RISK AND LIABILITY WHATSOEVER IN CONNECTION THEREWITH.



SPC TECHNOLOGY

UNLESS OTHERWISE SPECIFIED, DIMENSIONS ARE FOR REFERENCE PURPOSES ONLY.

DRAWN BY:	DATE:
Jeff McVicker	2/18/00
CHECKED BY:	DATE:
JOHN COLE	2/4/00
APPROVED BY:	DATE:
DANIEL CAREY	4/5/00

DRAWING TITLE:			
Retainer Clip			
SIZE	DWG. NO.	ELECTRONIC FILE	REV
A	SPC4633	84N1434	A
SCALE: NTS	U.O.M.: INCHES [mm]	SHEET: 1 OF 1	

X-ON Electronics

Largest Supplier of Electrical and Electronic Components

Click to view similar products for [duratool](#) manufacturer:

Other Similar products are found below :

[KIT NO 3600439](#) [D00197](#) [D00346](#) [D01441](#) [D01615](#) [D02342](#) [D03061](#) [D00338](#) [D00341](#) [D00345](#) [D00358](#) [D00642](#) [D01617](#) [D01971](#)
[D02313](#) [D03070](#) [PDR4001](#) [79-3984](#) [1748](#) [SPC22132](#) [MCA565](#) [MC000014](#) [24-8463](#) [DTRSRLCBS-8-01](#) [DTRNSE 1207 M4 25](#) [DTRFF-006-P5X7.5B](#) [DTRDLMSPM-12-01](#) [DT5200](#) [DTRSR4100W](#) [DTRSR3075W](#) [DTRRLCBSR-7-01](#) [DTRPGSB-4A](#) [DTRNSE 1207 M6 20](#)
[DTRNNE 1587 M3](#) [DTRFF-008-P4X6](#) [DTRFF-005P4X5](#) [DM6-CWA2WAS100BS4463](#) [NUT CAPTIVE NO10 PK100 74431](#) [DM6ITST-Z100DIN6797](#) [DM3-ITA2-S100DIN6797](#) [DM2-CWA2WAS100BS4463](#) [M2.510 KSSTMCZ100-](#) [M12- N5ST-Z100-](#) [02-10009](#) [DTRNSE 1207 M3 4](#) [DTRLCBS-3-01](#) [DTRNSE 1207 M4 6](#) [SPC22128](#) [WP-SP](#)