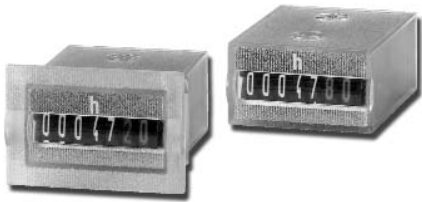


## Micro Hour Meters HK 46/HK 47



- 6- or 7-digit micro hour meters; displays 1/100 h
- low cost
- high shock resistance
- low power consumption; suitable for battery operation
- small dimensions
- magnified large figures
- flush mount with integrated spring clip (snap in) (HK 47.20)
- PCB-mount (HK 47.80)

- solderable and wash proof (HK 47.80)
- protection to IP 66
- long service life

### Applications

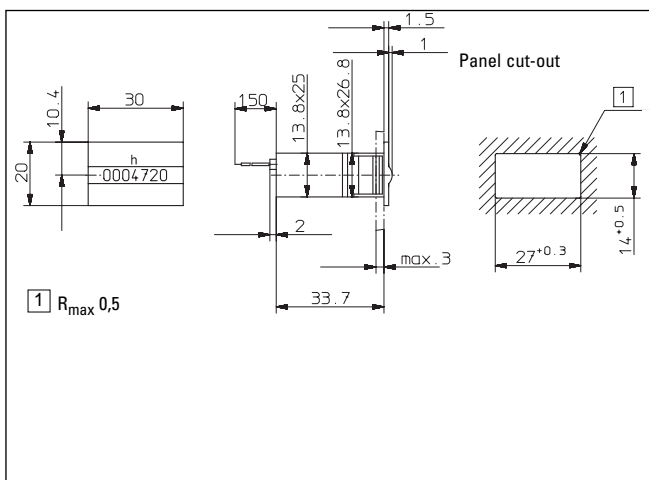
time registration, maintenance intervals for measuring instruments (respiration units, oxygen, dialysis), UV-lamps, machines panel indicators in vehicles ...

### Technical data:

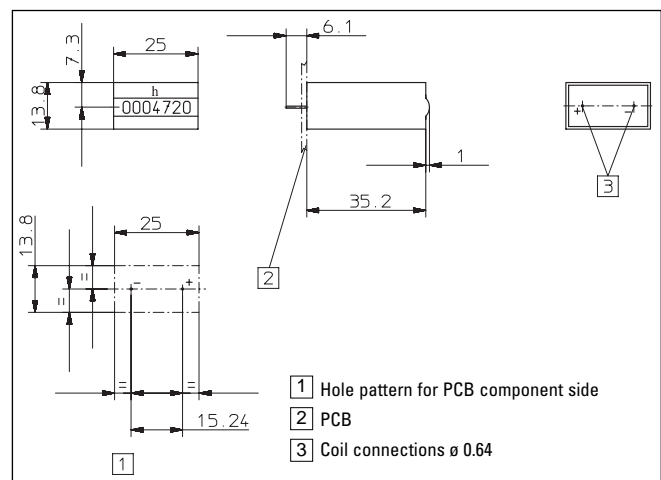
Drive:	Quartz controlled impulse counter	Height of figures:	HK 47: 4 x 1.25 mm; HK 46: 4 x 1,7 mm magnified
Impulse duration:	32 ms; every 36 s = 0.01 h (Power on times < 36 s are not counted)	Reset:	no reset
Electrical connection:	HK 46.20/HK 47.20: Flying leads AWG 22, appr. 150 mm long (red +, black -) HK 46.80/HK 47.80: solder pins $\varnothing$ 0.64 mm	Ambient temperature:	-10 ... +60 °C
Display:	9999.99 h resp. 99999.99 h	Storage temperature:	-20 ... +70 °C
Figures:	white on black 1/10, 1/100 decimal red on black	Mounting position:	any
Supply voltage:	4.5 ... 35 V DC	Solderable and wash proof versions:	HK 46.80/HK 47.80
Residual ripple:	< 1 %	Protection according to EN 60529:	IP 66 at HK46.80/HK 47.80 IP 66 (only front) at HK46.20/HK 47.20
Current consumption:	< 1,5 mA (average)	Conforms to CE:	EN 61000-6-2
Power consumption:	at $U_B = 5$ V DC typ. 82 mW at $U_B = 12$ V DC typ. 135 mW at $U_B = 24$ V DC typ. 135 mW max. 170 mW (count impulse every 36 s with an impulse duration of 32 ms)	requirements acc. to:	EN 55011 class B
Accuracy:	22.5 ppm at 20 °C	Housing:	PC transparent; HK 47.80
		Weight:	13 ... 15 g
		Options for:	
		HK 4X.20, 4X.80:	flat pin 0.8 x 2.8 mm and push-on connectors
		HK46.20/HK 47.20:	solder pins $\varnothing$ 0.64 mm

### Dimensions:

#### HK46.20/HK 47.20



#### HK46.80/HK 47.80



### Order code:

	HK 46.20 Art.-No.	HK 47.20 Art.-No.
4,5 ... 35 V DC	3.050.200.383	3.060.200.383

	HK 46.80 Art.-No.	HK 47.80 Art.-No.
4,5 ... 35 V DC	3.050.800.383	3.060.800.383

## **X-ON Electronics**

Largest Supplier of Electrical and Electronic Components

*Click to view similar products for [kuebler](#) manufacturer:*

Other Similar products are found below :

[3.060.200.383](#) [8.0000.1202.0606](#)