

528 559




Prod

Discrete Crimp-to-Wire Contacts

Product Information

- Customer drawing
- Contact FCI

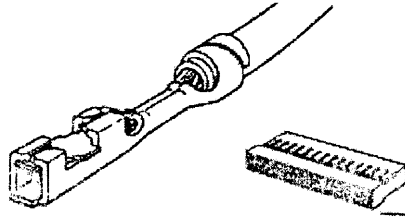
47745-001 

2.54 mm (0.100 in.) Centerline Crimp-to-Wire Mini-PV™ Receptacle

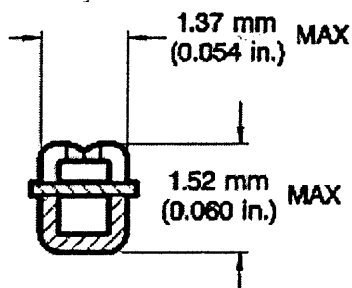
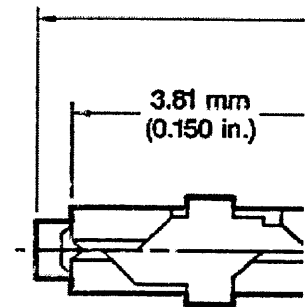
FCI catalog - search by

- Product type
- Part number
- Application
- Industry standard
- Product trade name
- Cross reference
- Alphabetic list
- Application tooling
- Custom products
- Product showcase
- Home

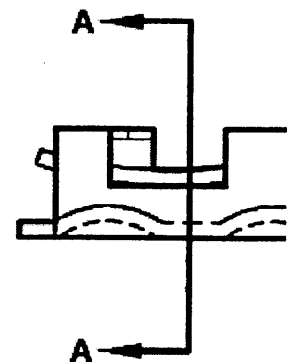
Featur



Ordering data shown is for our standard product offering. For non-standard or custo representative.



SECTION A-A



MINI-PV™ TERMINAL

0.00-0.89 mm 1.75 mm DIA MAX (0.069 in.)

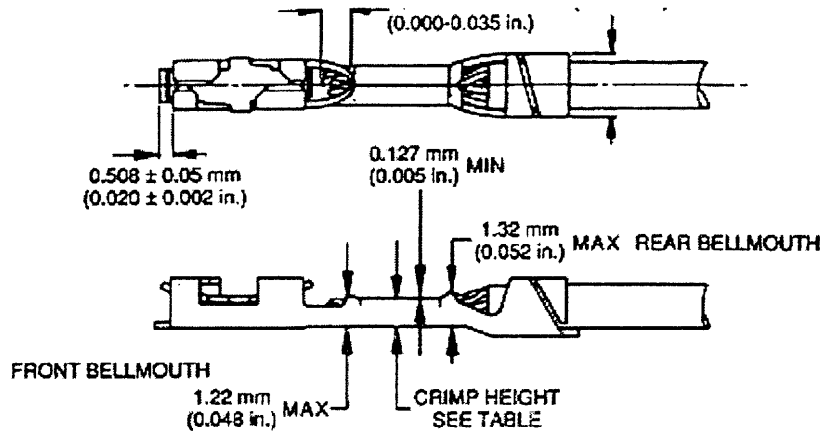


Image Disclaimer: Please use Customer Drawing for design activity; line art and other pictu

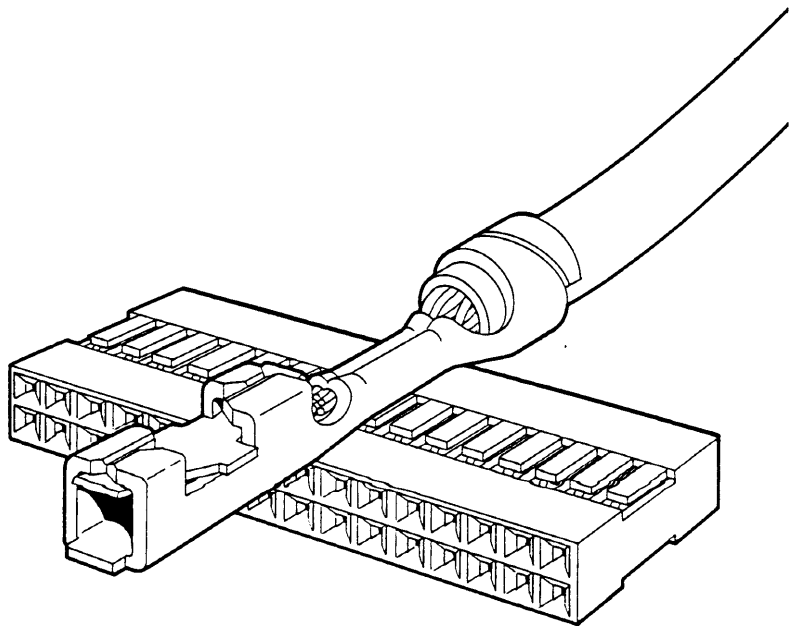
528- 535
559
560

Crimp-to-Wire Mini-PV*

BERGCON[®] System

Features

- The dual-metal contact design provides a constant retention force after repeated cycles.
- Various gold platings and tin/lead plating available.
- Choice of 3 spring thicknesses to tailor specific insertion/withdrawal requirements.
- Wide range of application equipment enables application costs to be reduced.



Technical data

Spacing		2,54 mm min.
Contact	Body material	Brass
	Spring material	Beryllium-copper
	Plating/Performance	Gold in reference to DIN 41612, part 5 or tin/lead
	Current rating	3 A max.
	Resistance	5 mΩ max.
	Insertion force (max.)	2,4 N (240 gf) or 4,5 N (450 gf) or 11 N (1100 gf) depending on spring thickness
	Withdrawal force (min.)	0,45 N (45 gf) or 0,75 N (75 gf) or 1,75 N (175 gf) depending on spring thickness
	Temperature range	- 65° C to + 125° C
	Relative humidity	10% to 95%
Packaging		10000 contacts per reel, min. order quantity 1 reel

528/535/559/560

General Information

Plating and Performance Classifications

Plating and Performance Classifications

In the BERG Electronics product catalogues, product performance is referred to rather than plating thickness. Product performance is defined by referring to specific BE (Berg Electronics) Classifications or standard norms such as DIN, IEC, HE, BT etc.

Plating performance falls into two categories:
Gold or GXT™ Plating, and Tin/Lead Plating.

Gold or GXT™ Plating					
BE Performance Class 1		BE Performance Class 2		BE Performance Class 3	
Meets: DIN 41612 Part 5	Class 1	Meets: DIN 41612 Part 5	Class 2	Meets: DIN 41612 Part 5	Class 3
IEC 603-2	Level 1	IEC 603-2	Level 2	EC 603-2	Level 3
IEC 603-10	Level 1	IEC 603-10	Level 2	EC 603-10	Level 3
IEC 603-9	Level 1	IEC 603-8	Level 2	IEC 807-2	Level 3
IEC 807-2	Level 1	IEC 807-2	Level 2	DIN 41651	Level 3
DIN 41651	Level 1	DIN 41651	Level 2	DIN 41651	Level 3
HE 11/12	Level 1	HE 11/12	Level 2	HE 11/12	Level 3
		HE 13	Level 2		
BT 1					
D 2580D	Class 1				
Tin/Lead Plating					
Meets: HE 14					
MIL-P-81728					

Test conditions

- BE Performance Class 1: 500 Mating cycles, with 21 days gas test SO₂
- BE Performance Class 2: 250 Mating cycles, with 4 days gas test SO₂
- for DIN 41612-5: Class 2: 400 Mating cycles, with 4 days gas test SO₂
- BE Performance Class 3: 50 Mating cycles
- BT 1 (D 2580D Class 1): 500 Mating cycles, with 21 days burning gas test SO₂
- Customer specials: In accordance with customer specifications

For detailed test information, see specific publications.
Specified performance levels apply only for compatible mating pairs.

GXT™ is a BERG Electronics patented process of palladium-nickel alloy plated with a gold flash

Crimp-to-Wire Mini-PV

Standard Mini-PV on reel

Wire size AWG	Insulation OD size	Spring thickness	Partnumbers			
			Class I full gold plated	Class I sel. gold plated	Class II sel. gold plated	tin/lead plated
18, 20 or 2 x 22, 2 x 24	1,07 - 2,62	A	-	-	48231-002	-
		B	47441-001	47441-002	48047-002	47221-000
		C	47566-001	47566-002	48052-002	47648-000
22, 24, 26 or 2 x 26, 2 x 28	0,91 - 2,62	A	47457-001	47457-002	48049-002	47445-000
		B	47439-001	47439-002	48046-002	47217-000
		C	47565-001	47565-002	48051-002	47649-000
28, 30, 32 or 2 x 30, 2 x 32	0,71 - 1,37	A	47456-001	47456-002	48048-002	47446-000
		B	47437-001	47437-002	48045-002	47213-000
		C	47564-001	47564-002	48050-002	47650-000
32, 34, 36	0,51 - 1,02	A	-	-	-	75543-009
		B	-	-	-	75543-007
		C	-	-	-	75543-011

Standard Mini-PV loose piece

Wire size AWG	Insulation OD size	Spring thickness	Partnumbers			
			Class I full gold plated	Class I sel. gold plated	Class II sel. gold plated	tin/lead plated
18, 20 or 2 x 22, 2 x 24	1,07 - 2,62	A	-	-	48266-002	-
		B	47713-001	47713-002	48232-002	47716-000
		C	47746-001	47746-002	48233-002	47749-000
22, 24, 26 or 2 x 26, 2 x 28	0,91 - 2,62	A	47743-001	47743-002	48235-002	47747-000
		B	47712-001	47712-002	48234-002	47715-000
		C	47745-001	47745-002	48236-002	47750-000
28, 30, 32 or 2 x 30, 2 x 32	0,71 - 1,37	A	47742-001	47742-002	48238-002	47748-000
		B	47711-001	47711-002	48237-002	47714-000
		C	47744-001	47744-002	48239-002	47751-000
32, 34, 36	0,51 - 1,02	A	-	-	-	75543-010
		B	-	-	-	75543-008
		C	-	-	-	75543-012

Small insulation Mini-PV on reel

Wire size AWG	Insulation OD size	Spring thickness	Partnumbers			
			Class I full gold plated	Class I sel. gold plated	Class II sel. gold plated	tin/lead plated
22, 24, 26	0,51 - 1,14	A	75231-014	75231-026	75231-031	75231-017
		B	75231-013	75231-025	75231-030	75231-016
		C	75231-015	75231-027	75231-032	75231-018
28, 30, 32	0,51 - 1,14	A	75231-003	-	-	75231-006
		B	75231-002	75231-023	75231-028	75231-005
		C	75231-004	75231-024	75231-029	75231-007

X-ON Electronics

Largest Supplier of Electrical and Electronic Components

Click to view similar products for [amphenol manufacturer](#):

Other Similar products are found below :

[MS27473P14B18S](#) [GTS02R20-15P-025-116](#) [GTC030-40-68SZ-025-RDS-LC](#) [ACC02E28-51S-003-B30-LC](#) [TV06RL-13-35AD](#) [TV06RL-13-98BD](#) [TV06RL-13-35SD-LC](#) [TV06RL-13-35SD](#) [TV06RL-13-98SD-LC](#) [TV06RL-13-98SD](#) [TVP00RW-23-53AD](#) [100-007-213-002-001](#) [TV06RW-25-90AE](#) [97-3108B16S-5PW-417](#) [PT06J20-24SW](#) [97-3108B16S-4PY-417](#) [97-3108B16S-4PX-417](#) [97-3108B16S-5PY-417](#) [97-3108B16S-4PW-417](#) [CS-DSDMDB37MF-025](#) [97-3108B16S-5PZ-417](#) [TV06RW-25-46AE](#) [TVS07RF-21-16AA](#) [TVS07RF-21-39BA](#) [CF-5A9013-04N](#) [CF-6A4615-06N](#) [GTC02R32-17S-025-RDS](#) [GTC02R32-17S-025-RDS-LC](#) [GTC02R32-17S-025-LC](#) [PT06SE-24-61P\(LC\)](#) [GTC06-22-13SW](#) [GTC06-22-13SY](#) [GTS06G-36-10S](#) [GTC06-22-13S-025-B30-LC](#) [GTC06-22-13SW-025-LC](#) [GTC06-22-13SX-025-B30](#) [GTC06-22-13SZ-025](#) [GTC06-22-13SZ-025-LC](#) [GTC06-22-13S-025-LC](#) [GTC06-22-13SW-025-B30](#) [GTC06-22-13SW-025-B30-LC](#) [GTC06-22-13SX-025-B30-LC](#) [GTC06-22-13SX-025-LC](#) [GTC06-22-13SY-025-B30](#) [GTC06-22-13SY-025-B30-LC](#) [GTC06-22-13SY-025-LC](#) [GTC06-22-13SZ-025-B30](#) [GTC06-22-13SZ-025-B30-LC](#) [GTC06-22-13SW-025](#) [GTC06-22-13SX-025](#)