



# Flowmeters & Monitors

FDHB347UK  
August 2007





- Consistent quality
- Technical innovation
- Premier customer service

Parker's technical resources provide the best filtration technologies that conform to your requirements. That's why thousands of manufacturers and equipment users around the world rely on Parker Filtration products and people.

## Worldwide Sales and Service

Parker operates sales and service centres in major industrial areas worldwide. Call 1-800-C-PARKER for more product information in North and South America and 00800 27275374 for the European Product Information Centre (24 Hr).

### WARNING

FAILURE OR IMPROPER SELECTION OR IMPROPER USE OF THE PRODUCTS AND/OR SYSTEMS DESCRIBED HEREIN OR RELATED ITEMS CAN CAUSE DEATH, PERSONAL INJURY AND PROPERTY DAMAGE.

This document and other information from Parker Hannifin Corporation, its subsidiaries and authorized distributors provide product and/or system options for further investigation by users having technical expertise. It is important that you analyze all aspects of your application and review the information concerning the product or system in the current product catalog. Due to the variety of operating conditions and applications for these products or systems, the user, through its own analysis and testing, is solely responsible for making the final selection of the products and systems and assuring that all performance, safety and warning requirements of the application are met.

The products described herein, including without limitation, product features, specifications, designs, availability and pricing, are subject to change by Parker Hannifin Corporation and its subsidiaries at any time without notice.

#### Offer of Sale

The items described in this document are hereby offered for sale by Parker Hannifin Corporation, its subsidiaries or its authorized distributors. This offer and its acceptance are governed by the provisions stated in the "Offer of Sale".

### Hydraulic, Lubrication & Coolant Filtration

High-performance filtration systems for production machinery in industrial, mobile and military/marine applications.



### Compressed Air & Gas Filtration

Complete line of compressed air/gas filtration products; coalescing, particulate and adsorption filters in many applications in many industries.



Photo courtesy of GLASBAU HAHN

### Process & Chemical Fluid Filtration

Liquid filtration systems for beverage, chemical and food processing; cosmetic, paint, water treatment; photo-processing; and micro-chip fabrication.



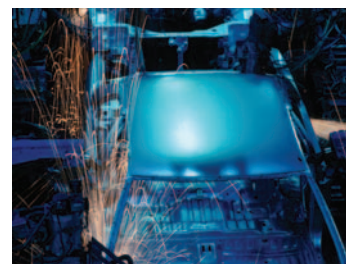
### Racor Fuel Conditioning & Filtration

Parker air, fuel and oil filtration systems provide quality protection for engines operating in any environment, anywhere in the world.



### System Contamination Monitoring

On-line dynamic particle analysis, off-line bottle sampling and fluid analysis and measurement of water content polluting the oil in a system. All important and achievable, cost-effective solutions available to equipment manufacturers and end users alike.





A range of cost saving solutions

# Flowmeters & Monitors



# LoFlow - Oil and Water Flowmeters

## Features & Benefits



- Easy to read, permanent printed scales.
- Large scale definition for precise measurement.
- Easy panel mounting assembly.
- Negligible pressure drop characteristics.
- 10 bar pressure rating.
- Simple to use.

## Specification

### Construction:

Body Grillon TR55.  
 Back body half ABS 7020.  
 Ball retainer ABS 7020.  
 Back panel PVC.  
 Float See below.

**Maximum working pressure:**  
 10 bar.

**Maximum working temperature:**  
 60°C.

**Accuracy:**  
 ±2% typical.

**Repeatability:**  
 ±1%.

**Connections:**  
 1/4" and 3/4" tapered threads.

## Installation Details

### Simple to fit, easy to use

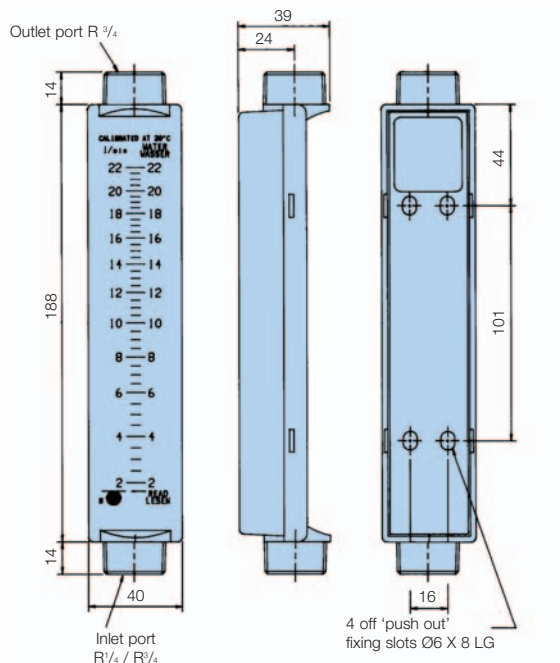
The LoFlow meter has been designed for those industries where the need exists for a low cost solution to small measurements of flow with an accurate reading. LoFlow uses the well tried and tested principle of variable area flow measurement utilising the movement of a ball or float inside a calibrated tapered bore.

### Typical Applications

Pharmaceutical industry  
 Filtration systems  
 Hospital equipment  
 For water applications

Water treatment  
 Photography and X-ray  
 Equipment  
 Swimming pools

## Installation Details



## Ordering Information

### Standard products table

Product number	Supersedes	Media	Ports (BSPT male)	Flow range (l/min)	Float material
<b>LF802412</b>	LF.2020	Water	3/4 - 3/4	0.2 - 2.0	Acetal
<b>LF802413</b>	LF.2100	Water	3/4 - 3/4	2.0 - 10.0	S/Steel
<b>LF802414</b>	LF.2220	Water	3/4 - 3/4	3.0 - 22.0	S/Steel
<b>LF801431</b>	LF.1002	Oil	1/4 - 3/4	0.010 - 0.20	S/Steel
<b>LF802432</b>	LF.1009	Oil	3/4 - 3/4	0.1 - 0.9	Acetal
<b>LF802434</b>	LF.1090	Oil	3/4 - 3/4	1.0 - 9.0	S/Steel
<b>LF801411</b>	LF.2005	Water	1/4 - 3/4	0.06 - 0.55	S/Steel

Note 1: Part numbers featured with bold highlighted codes will ensure a 'standard' product selection.  
 Note 2: Alternate displayed part number selection will require you to contact Parker Filtration for availability.

### Highlights Key (Denotes part number availability)

<b>123</b>	Item is standard
<b>123</b>	Item is standard green option
<b>123</b>	Item is semi standard
123	Item is non standard

Note: Standard items are in stock, semi standard items are available within four weeks

# Easiflow - Meters and Flowswitches

## Features & Benefits



- Oil and water calibrated.
- Works in any plane.
- Pressures up to 10 bar.
- Flows from 1 to 150 l/min.
- Accuracy  $\pm 5\%$  FSD.
- Repeatability  $\pm 1\%$  FSD.
- Switches – fully adjustable flow rate signalling.
- Plant and equipment protection.



## Easiflow Meters Specification

**Construction:**

Cone Acetal  
Viewing glass Borosilicate glass  
Calibrated spring Stainless steel  
Seal Nitrile  
Body Glass filled nylon

**Maximum working pressure:**  
10 bar.

**Minimum working pressure:**  
1 bar.

**Temperature range:**  
+5°C to +80°C - Oil.  
+5°C to +60°C - Water.

**Flow rate:**

1 to 150 l/min.

**Viscosity range:**  
10 to 200 centistokes (oil).

**Accuracy:**  
 $\pm 5\%$  FSD.

**Repeatability:**  
 $\pm 1\%$  FSD.

**Connections:**  
1" BSP parallel threads.

**Weight:**  
0.4kg.

## Flowswitch Specifications

The Easiflow switch is a flow measuring device incorporating an AC/DC switch suitable for controlling valves or pump motors or for activating alarm signals.

**General flowmeter specification:**  
See material details opposite.

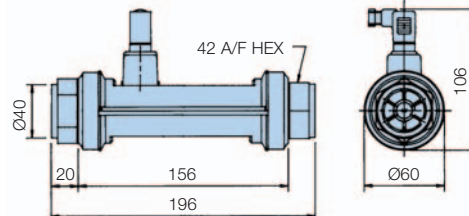
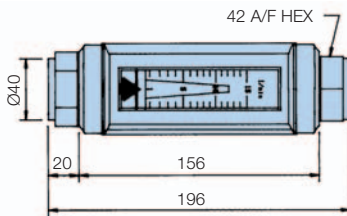
**Switch type specifications:**  
Magnetically operated reed switch.

**Electrical details:**

Voltage range 300Vac/dc  
Maximum current 2.5Amps  
Maximum load 100W resistive  
70W inductive



## Installation Details



## Ordering Information

**Standard products table**

Product number	Supersedes	Media	Flow range (l/min)
<b>EF7731111220</b>	EFW.0302	Water	2 - 30
<b>EF7731112220</b>	EFW.0502	Water	4 - 50
<b>EF7731113220</b>	EFW.1002	Water	5 - 100
<b>EF7731114220</b>	EFW.1502	Water	10 - 150
<b>EF7731110120</b>	EFL.0151	Oil	1 - 15
<b>EF7731111120</b>	EFL.0301	Oil	2 - 30
<b>EF7731112120</b>	EFL.0501	Oil	4 - 50
<b>EF7731113120</b>	EFL.1001	Oil	5 - 100
<b>EF7731114120</b>	EFL.1501	Oil	10 - 150
<b>EF7731110220</b>	EFW.0152	Water	1 - 15

Note 1: Part numbers featured with bold highlighted codes will ensure a 'standard' product selection.  
Note 2: Alternate displayed part number selection will require you to contact Parker Filtration for availability.

**Standard products table**

Product number	Supersedes	Media	Flow range (l/min)	Switch range (l/min)
<b>EF7731110221</b>	EFW.015S1	Water	1 - 15	5 - 15
<b>EF7731111221</b>	EFW.030S1	Water	2 - 30	5 - 30
<b>EF7731110121</b>	EFL.015S1	Oil	1 - 15	5 - 15
<b>EF7731111121</b>	EFL.030S1	Oil	2 - 30	5 - 30
<b>EF7731112121</b>	EFL.050S1	Oil	4 - 50	10 - 50
<b>EF7731113121</b>	EFL.100S1	Oil	5 - 100	20 - 100
<b>EF7731114121</b>	EFL.150S1	Oil	10 - 150	30 - 150
<b>EF7731112221</b>	EFW.050S1	Water	4 - 50	10 - 50
<b>EF7731113221</b>	EFW.100S1	Water	5 - 100	20 - 100
<b>EF7731114221</b>	EFW.150S1	Water	10 - 150	30 - 150

Note 1: Part numbers featured with bold highlighted codes will ensure a 'standard' product selection.  
Note 2: Alternate displayed part number selection will require you to contact Parker Filtration for availability.

## Flowmeters & Monitors

# Dataflow - 4 to 20mA and Pulse Output Flow Transmitters

## Features & Benefits



- 4 to 20mA output.
- Pulse output available for totalising/batching.
- Works in any plane.
- Accepts reverse flow.
- Maximum flow 150 l/min.
- Negligible pressure drop.
- Pressures up to 10 bar.
- Low cost. Simple to install.
- For use with most liquids.
- Factory calibrated. Accuracy  $\pm 2\%$ .
- DIN plug connector (included).

## Specification

### Construction:

Borosilicate glasstube.  
Nitrile seals.  
Body – Glass filled nylon.  
Rotor and locater – Acetal.  
Washers and shaft – Stainless steel.  
Rotor tips – Stainless steel.

**Max. working pressure:**  
10 bar oil/water.

### Flow indication:

Min: 2 l/min.  
Max: 150 l/min.  
Accepts reverse flow.

### Accuracy:

$\pm 2\%$  FSD.

### Temp range:

+5°C to +80°C oil.  
+5°C to +60°C water.

### Connections:

1" BSP parallel threads.

### Weight:

0.7Kg.

### Calibration 4 to 20mA:

4mA = 0 l/min,  
20mA = 100 l/min.

### Calibration pulse output per litre:

'K' factors.  
Oil = 51.14  
Water = 44.25



### Electrical details 4 to 20mA:

Supply = 24Vdc.

### Pulse output:

Supply = 24Vdc.  
(open collector transistor).

## Digital Display Specification (DFT 990 only)

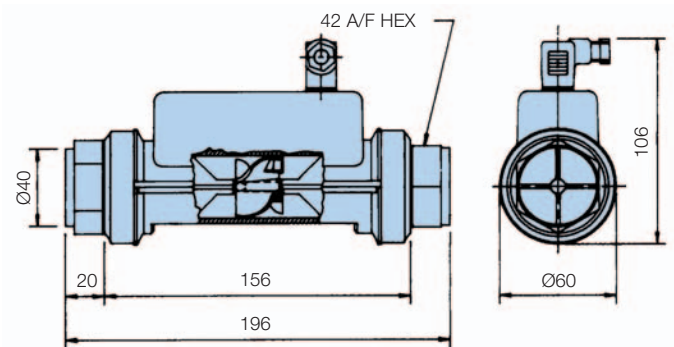
For indicator options please refer to MS150 section of the catalogue, reference DDU1001 and DDU1002 indicators

## 4 to 20mA On-Site Calibration

Set your system to zero flow. Connect a multimeter across terminals 1 (+20mA) and  $\oplus$  (0mA) (Dia. 2). Set the zero to read 4mA on your multimeter (Dia. 1). Set your system to full flow and set the span to read 20mA on your multimeter. (Dia. 1)

Note: Minimum span setting = 30 l/min

## Installation Details



## Ordering Information

### Standard products table

Product number	Supersedes	Description
<b>DFT980</b>	DFT.980	Dataflow "Pulse" output transmitter
<b>DFT990</b>	DFT.990	Dataflow 4-20mA transmitter

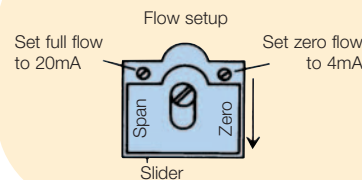
Note 1: Part numbers featured with bold highlighted codes will ensure a 'standard' product selection.

Note 2: Alternate displayed part number selection will require you to contact Parker Filtration for availability.

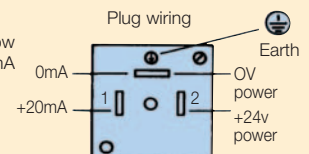


Dataflow 4-20mA transmitter can be connected to a Digital Display Unit (DDU1001 or DDU1002)

### Diagram 1



### Diagram 2



# Dataflow Compact - Inline Flow Transmitter

## Features & Benefits



- Pulse output signal for flows up to 25 l/min.
- Lightweight and robust.
- Operates in any plane. Simple to install.
- Low cost flow measurement.
- Negligible pressure drop.
- Accepts reverse flow.
- 3/8 BSP male connection.
- Water or compatible clear fluids only.
- Ideal for washing machines, showers and vending machines.

## Specification

### Construction:

Body Grilamid – TR55.  
 Rotor 18% PTFE filled nylon.  
 Shaft Stainless steel.  
 Retainers Grilamid TR55.

### Operation:

Infra-red.

**Maximum working pressure:**  
20 bar.

**Pressure drop:**  
Max 0.1 bar at 15 l/min.

**Flow range:**  
1 to 25 l/min.  
(Accepts reverse flow).

**Calibration:**  
'K' Factor 752 pulses per litre, typical.  
Subject to application.

**Accuracy:**  
±2% typical.

### Repeatability:

±1%.

**Temperature range:**  
+5°C to +70°C.

**Overall dimensions:**  
52mm x 29mm x 27mm.

**Weight:**  
16 grams.

**Connections:**  
3/8 BSP

**Cable length:**  
300mm.

**Power supply:**  
5 Vdc.

**Output signal:**  
5 Vdc - square wave



## Dataflow Compact – The Low Cost Transmitter

The Dataflow Compact Transmitter was designed to offer OEM's and end users alike a means of monitoring low flows on liquids with an electronic output signal – but at LOW COST. Fluid passes through the one piece sensor body impacting on the twin vaned turbine rotor, causing it to rotate at a speed proportional to the flow rate. Two opposing photo-transistors are mounted either side of the rotor and externally of the clear sensor body, these generate a continuous signal.

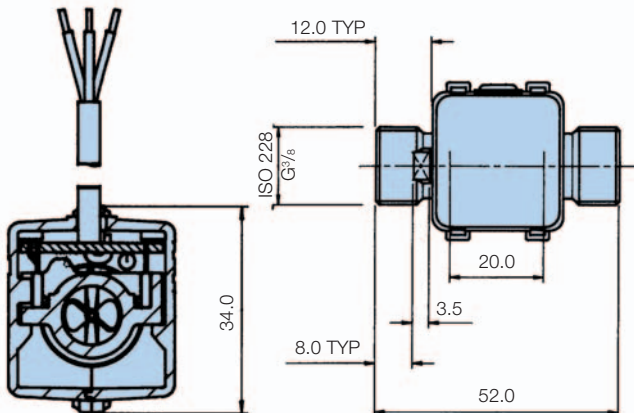
As the rotor spins each blade obscures the infra red signal. This is then converted into an industry standard pulse output signal – compatible with inexpensive display units for flow rate, totalising, batch control and large, central control systems. The lightweight Grilamid body with its virtually unrestricted flow path, offers negligible pressure drop for flows up to 25 l/min and withstanding pressures up to 20 bar.

## Flow Rate • Totalising • Batch Control and applications in many industries

Dataflow Compact Transmitters are small and very robust having been developed and tested extensively in industry applications where space is a restriction. Dataflow Compact with its Grilamid body and BSP connections can be installed almost anywhere and once installed will give accurate and reliable output signalling.

## Installation Details

Red wire +5V supply  
 Green wire Output signal  
 Blue wire 0V supply



## Ordering Information

### Standard products table

Product number	Supersedes	Description
<b>DFC9000100</b>	DFC.9000.100	Dataflow compact transmitter

Note 1: Part numbers featured with bold highlighted codes will ensure a 'standard' product selection.  
 Note 2: Alternate displayed part number selection will require you to contact Parker Filtration for availability.

## Flowmeters & Monitors

# Flowline - Oil and Water Calibrated Flowmeters (Brass Version)

## Features & Benefits

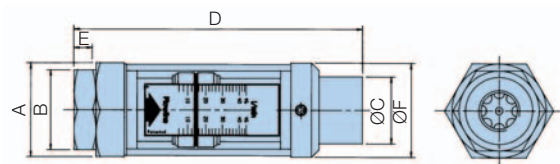


- Works in any plane.
- Pressure up to 350 bar (5000 psi).
- Flows up to 360 l/min.
- Accuracy  $\pm 5\%$  FSD.
- Repeatability  $\pm 1\%$  FSD.
- Direct reading.
- Relatively insensitive to viscosity changes.
- Oil or water calibrated.
- Optional reed switch upgrade.

## Specification

<b>Construction:</b> Brass body to BS 2874 CZ114.	<b>Viscosity range:</b> 10 to 200 cSt (oil).
<b>Maximum working pressure:</b> Up to 350 bar.	<b>Accuracy:</b> $\pm 5\%$ FSD.
<b>Minimum working pressure:</b> 1 bar.	<b>Repeatability:</b> $\pm 1\%$ FSD.
<b>Temperature range:</b> Brass $-20^{\circ}\text{C}$ to $+90^{\circ}\text{C}$ .	<b>Min. scale reading:</b> 10% FSD.
<b>Calibration:</b> Oil Specific gravity 0.856 at $20^{\circ}\text{C}$ .	<b>Connections:</b> BSP parallel threads.
Water Specific gravity 1.0 at $20^{\circ}\text{C}$ .	<b>Wetted/non-wetted parts:</b> Consult Parker for information.

### 1/4", 1/2" and 3/4" BSP thread options



**Note:** To add an electrically operated reed switch to your flowmeter please order B26307

## Ordering Information - Oil

### Standard products table

Brass flowmeter for oil		Dimensions (mm)									Weight (kg)
Product number	Supersedes	Ports BSP	Flow range (l/min)	Maximum pressure (bar)	A (A/F Hex)	B (A/F Hex)	C	D	E	F	
<b>FM26122212</b>	FM.26 122 212	1/4	0.5 - 4.5	350	32	29	19	123	7	32	0.4
<b>FM26122312</b>	FM.26 122 312	1/4	1 - 9	350	32	29	19	123	7	32	0.4
<b>FM26222112</b>	FM.26 222 112	1/2	2 - 20	350	41	38	32	165.5	12.5	46	0.9
<b>FM26222212</b>	FM.26 222 212	1/2	5 - 46	350	41	38	32	165.5	12.5	46	0.9
<b>FM26322112</b>	FM.26 322 112	3/4	5 - 55	350	58	46	43	190	15	58	1.75
<b>FM26322212</b>	FM.26 322 212	3/4	10 - 110	350	58	46	43	190	15	58	1.75
<b>FM26122112</b>	FM.26 122 112	1/4	0.2 - 2.0	350	32	29	19	123	7	32	0.4
<b>FM26422112</b>	FM.26 422 112	1 1/4	20 - 180	210	For installation details for 1 1/4" flowmeters see next page						8.0
<b>FM26422212</b>	FM.26 422 212	1 1/4	30 - 270	210							8.0
<b>FM26422312</b>	FM.26 422 312	1 1/4	40 - 360	210							8.0

## Ordering Information - Water

### Standard products table

Brass flowmeter for water		Dimensions (mm)									Weight (kg)
Product number	Supersedes	Ports BSP	Flow range (l/min)	Maximum pressure (bar)	A (A/F Hex)	B (A/F Hex)	C	D	E	F	
<b>FM26222122</b>	FM.26 222 122	1/2	2 - 20	350	41	38	32	165.5	12.5	46	0.9
<b>FM26222222</b>	FM.26 222 222	1/2	5 - 46	350	41	38	32	165.5	12.5	46	0.9
<b>FM26322122</b>	FM.26 322 122	3/4	5 - 55	350	58	46	43	190	15	58	1.75
<b>FM26322222</b>	FM.26 322 222	3/4	10 - 110	350	58	46	43	190	15	58	1.75
<b>FM26122122</b>	FM.26 122 122	1/4	0.2 - 2.0	350	32	29	19	123	7	32	0.4
<b>FM26122222</b>	FM.26 122 222	1/4	0.5 - 4.5	350	32	29	19	123	7	32	0.4
<b>FM26122322</b>	FM.26 122 322	1/4	1 - 9	350	32	29	19	123	7	32	0.4
<b>FM26422122</b>	FM.26 422 122	1 1/4	20 - 180	210	For installation details for 1 1/4" flowmeters see next page						8.0
<b>FM26422222</b>	FM.26 422 222	1 1/4	30 - 270	210							8.0
<b>FM26422322</b>	FM.26 422 322	1 1/4	40 - 360	210							8.0

Note 1: Part numbers featured with bold highlighted codes will ensure a 'standard' product selection.  
Note 2: Alternate displayed part number selection will require you to contact Parker Filtration for availability.



## Flowmeters & Monitors

# Flowline - Oil and Water Calibrated Flowmeters (Stainless Steel)

## Features & Benefits

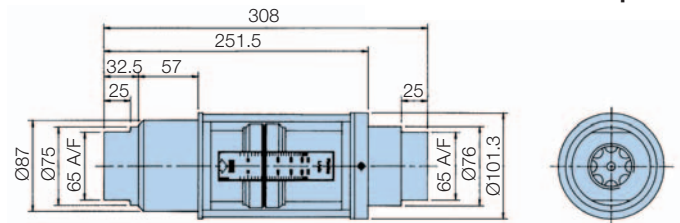


- For flow measurement of corrosive, chemical media or in harsh locations.
- Manufactured in stainless steel 316.
- Works in any plane.
- Pressure up to 350 bar (5000 psi).
- Flows up to 360 l/min.
- Accuracy  $\pm 5\%$  FSD.
- Repeatability  $\pm 1\%$  FSD.
- Direct reading.
- Oil or water calibrated.
- Optional reed switch upgrade.

1 1/4" BSP option

## Specification

<b>Construction:</b> Stainless steel to BS 970 316S.	<b>Viscosity range:</b> 10 to 200 cSt (oil).
<b>Maximum working pressure:</b> Up to 350 bar.	<b>Accuracy:</b> $\pm 5\%$ FSD.
<b>Minimum working pressure:</b> 1 bar.	<b>Repeatability:</b> $\pm 1\%$ FSD.
<b>Temperature range:</b> -20°C to +105°C.	<b>Min. scale reading:</b> 10% FSD.
<b>Calibration:</b> Oil            Specific gravity 0.856 at 20°C. Water        Specific gravity 1.0 at 20°C.	<b>Connections:</b> BSP parallel threads.



**Wetted parts:**  
Body, thread adaptor

**Piston, etc: cone locknut:**  
Stainless Steel.

**Flow cone:**  
BS 970 316S 16.

**Magnet encapsulation:**  
Stainless steel BS970/1:1991.  
:316S31.

**Spring:**  
Stainless steel to BS 2056 EN 58J.

**Seal:**  
Viton.

**Note:** To add an electrically operated reed switch to your flowmeter please order B26307

## Ordering Information - Oil

### Standard products table

Stainless steel flowmeter for oil		Ports BSP	Flow range (l/min)	Maximum pressure (bar)	Dimensions (mm)						Weight (kg)
Product number	Supersedes				A (A/F Hex)	B (A/F Hex)	C	D	E	F	
<b>FM26232112</b>	FM.26 232 112	1/2	2 - 20	350	41	38	32	165.5	12.5	46	0.9
<b>FM26332112</b>	FM.26 332 112	3/4	5 - 55	350	58	46	43	190	15	58	1.75
<b>FM26332212</b>	FM.26 332 212	3/4	10 - 110	350	58	46	43	190	15	58	1.75
<b>FM26132112</b>	FM.26 132 112	1/4	0.2 - 2.0	350	32	29	19	123	7	32	0.4
<b>FM26132212</b>	FM.26 132 212	1/4	0.5 - 4.5	350	32	29	19	123	7	32	0.4
<b>FM26132312</b>	FM.26 132 312	1/4	1 - 9	350	32	29	19	123	7	32	0.4
<b>FM26232212</b>	FM.26 232 212	1/2	5 - 46	350	41	38	32	165.5	12.5	46	0.9
<b>FM26432112</b>	FM.26 432 112	1 1/4	20 - 180	350	For installation details for 1 1/4 flowmeters see above						8.0
<b>FM26432212</b>	FM.26 432 212	1 1/4	30 - 270	350							8.0
<b>FM26432312</b>	FM.26 432 312	1 1/4	40 - 360	350							8.0
											8.0

## Ordering Information - Water

### Standard products table

Stainless steel flowmeter for water		Ports BSP	Flow range (l/min)	Maximum pressure (bar)	Dimensions (mm)						Weight (kg)
Product number	Supersedes				A (A/F Hex)	B (A/F Hex)	C	D	E	F	
<b>FM26132122</b>	FM.26 132 122	1/4	0.2 - 2.0	350	32	29	19	123	7	32	0.4
<b>FM26132222</b>	FM.26 132 222	1/4	0.5 - 4.5	350	32	29	19	123	7	32	0.4
<b>FM26132322</b>	FM.26 132 322	1/4	1 - 9	350	32	29	19	123	7	32	0.4
<b>FM26232122</b>	FM.26 232 122	1/2	2 - 20	350	41	38	32	165.5	12.5	46	0.9
<b>FM26232222</b>	FM.26 232 222	1/2	5 - 46	350	41	38	32	165.5	12.5	46	0.9
<b>FM26332122</b>	FM.26 332 122	3/4	5 - 55	350	58	46	43	190	15	58	1.75
<b>FM26332222</b>	FM.26 332 222	3/4	10 - 110	350	58	46	43	190	15	58	1.75
<b>FM26432122</b>	FM.26 432 122	1 1/4	20 - 180	350	For installation details for 1 1/4 flowmeters see above						8.0
<b>FM26432222</b>	FM.26 432 222	1 1/4	30 - 270	350							8.0
<b>FM26432322</b>	FM.26 432 322	1 1/4	40 - 360	350							8.0
											8.0

Note 1: Part numbers featured with bold highlighted codes will ensure a 'standard' product selection.

Note 2: Alternate displayed part number selection will require you to contact Parker Filtration for availability.

# Flowline - Flowswitches

## Features & Benefits



- ‘Boxed’ two-switch type.
- Intrinsically safe versions.
- Maximum/minimum switching models.
- Maximum working pressure 350 bar. (min 1 bar)
- Flows from 2.0 to 110 l/min.
- Stainless steel – suitable for corrosive media.
- Stainless steel to BS970 316S16.

## Ordering Information

To order the required switching unit, simply add the appropriate prefix before the part numbers shown below.

### Standard products table

Product number	Supersedes	Description
<b>FS643222112</b>	FS.643 222 112	2 switches, 2 - 20 l/min (1/2 BSP) Oil
<b>FS643222212</b>	FS.643 222 212	2 switches, 5 - 46 l/min (1/2 BSP) Oil
<b>FS643322112</b>	FS.643 322 112	2 switches, 5 - 55 l/min (1/2 BSP) Oil
<b>FS643322212</b>	FS.643 322 212	2 switches, 10 - 110 l/min (1/2 BSP) Oil

### Product configurator

Brass flowswitch for oil or water					
Product number		Flow range and (port size)		Fluid type	
<b>FS643</b>	2 switches	<b>2221</b>	2 - 20 l/min (1/2 BSP)	<b>12</b>	Oil
FS67A	Intrinsically safe high switch	<b>2222</b>	5 - 46 l/min (1/2 BSP)	22	Water
FS67B	Intrinsically safe low switch	<b>3221</b>	5 - 55 l/min (1/2 BSP)		
FS67C	Intrinsically safe hi/low switch	<b>3222</b>	10 - 110 l/min (1/2 BSP)		

### Product configurator

Stainless steel flowswitch for oil or water					
Product number		Flow range and (port size)		Fluid type	
<b>FS643</b>	2 switches	<b>2321</b>	2 - 20 l/min (1/2 BSP)	<b>12</b>	Oil
FS67A	Intrinsically safe high switch	<b>2322</b>	5 - 46 l/min (1/2 BSP)	<b>22</b>	Water
FS67B	Intrinsically safe low switch	<b>3321</b>	5 - 55 l/min (1/2 BSP)		
FS67C	Intrinsically safe hi/low switch	<b>3322</b>	10 - 110 l/min (1/2 BSP)		

### Ordering example

Product number	Supersedes
<b>FS643332212</b>	<b>FS.643 332 212</b>

Note 1: Part numbers featured with bold highlighted codes will ensure a ‘standard’ product selection.

Note 2: Alternate displayed part number selection will require you to contact Parker Filtration for availability.

# Hydraulic Test Equipment

## Features & Benefits



- Speedy diagnosis of hydraulic circuit faults.
- Flows ranging from 2 to 360 l/min.
- Measuring flow, pressure and temperature.
- Fully Portable – No power source required.
- Hydrotrac unit for flows from 2 to 110 l/min available.
- Designed for oil applications only.

## Specification

**Flow range:**  
2 to 360 l/min.

**Pressure range:**  
1 to 350 bar.

**Temperature range:**  
0°C to +90°C.

## Troubleshooting Test Units

Hydraulic Test Units are designed specifically for the speedy diagnosis of hydraulic circuit faults in mobile, marine and industrial systems using the normal range of mineral oils. Their rugged construction based mainly on mild steel, manganese bronze and acrylic materials makes them ideally suited for arduous use in the field.

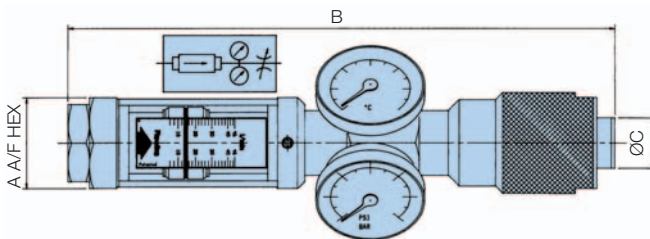
Each unit is supplied in a convenient carrying case providing full protection and additional storage space for fittings. Because they need no power source such as batteries etc, they are always ready for instant use.

6 models are available to cover flow capacities up to 360 l/min and each incorporates a direct reading, uni-directional flow meter. The meter, which is both self cleaning and reasonably tolerant of contaminated fluids is coupled to a manifold that houses a glycerine-filled pressure gauge calibrated 0 to 350 bar and a dial-type thermometer with a 0°C to 100°C range.

Unit can only operate up to 90°C.

For further convenience the scale on the flow meter can be rotated to ensure visibility in any situation and the installed attitude of the assembly is not critical, though whenever possible the unit should be mounted with pressure gauge vertical and gauge case relief valve uppermost. The unit is designed for flow to be in the direction of the arrow on the flowmeter scale and must not be installed with the flow reversed.

## Installation Details



## Safety

An axial flow restrictor valve is fitted which can be adjusted under full load from open to fully closed, and to complete the specification, a safety blow-out disc, set to fail at 455 bar is fitted to the manifold in a position facing away from the operator when reading the gauges normally. Two spare blow-out discs are supplied which are easily replaced by removing the hexagonal plug on the gauge manifold.

Additional blow out discs can be ordered - 41203B (Bag of 10)

## Ordering Information

### Standard products table

Product number	Flow range (l/min)	Weight Kg (with case)	Dimensions (mm)		
			A	B	C
<b>4121</b>	10 - 110	7.4	46	350	35
<b>4120</b>	5 - 55	7.4	46	350	35
<b>4123</b>	2 - 110	11.8	46	350	35
<b>4168</b>	20 - 180	13.85	75	496	87
<b>4169</b>	30 - 270	13.85	75	496	87
<b>4170</b>	40 - 360	13.85	75	496	87
Part number	Supersedes	Description			
<b>41203B</b>	4120.3.B	Safety blow out discs x 10			

Note 1: Part numbers featured with bold highlighted codes will ensure a 'standard' product selection.

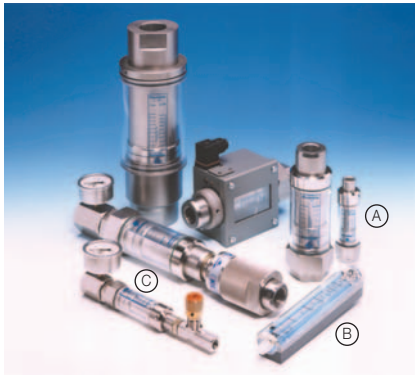
Note 2: Alternate displayed part number selection will require you to contact Parker Filtration for availability.

Note 3: 4123 'Hydrotrac' unit features 2 flowmeters (2 - 20 and 10 - 110 l/min) and 1 pressure gauge and 1 thermometer.

## Flowmeters & Monitors

# Flow Products - For Compressed Air Applications

## Features & Benefits



### (A) Flowline Flowswitches and Flowmeters

- Calibrated for direct reading of compressed air at 7 bar.
- Works in any plane.
- Brass or stainless steel models available in 4 sizes.
- Calibrated at 7 bar and 20°C.
- Flow ranges from 2 to 600 SCFM.
- Pressure 1-41 bar max.
- Optional reed switch upgrade.

### (B) Loflow Air Flowmeters

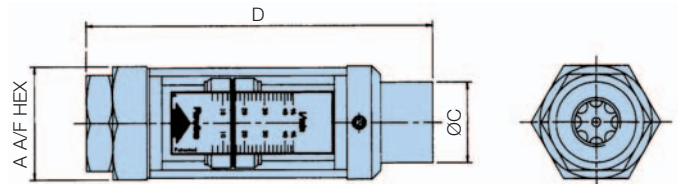
- Flow measurement from 1.1 to 720 l/min. Max 10 bar rating.

### (C) Compressed Air Test Equipment

- 6 models available – 1/4", 3/4" and 1 1/4" BSP.
- Air flow range 2 to 600 SCFM.
- Pressure 1-41 bar max.

## Specification

Full technical specifications for the Flowmeter, Flowswitch, LoFlow and test equipment products are provided in the respective pages for these products.



**Note:** To add an electrically operated reed switch to your flowmeter please order B26307

## Ordering Information

### Standard products table

Brass flowmeter for air		Ports BSP	Flow range		Maximum working pressure (bar)
Product number	Supersedes		SCFM	l/sec	
FM26123332	FM.26 123 332	1/4	2 - 20	1 - 10	41
FM26223132	FM.26 223 132	1/2	5 - 50	2 - 25	41
FM26223232	FM.26 223 232	1/2	10 - 110	5 - 50	41
FM26323132	FM.26 323 132	3/4	15 - 125	6 - 60	41
FM26323232	FM.26 323 232	3/4	20 - 225	10 - 100	41
FM26423132	FM.26 423 132	1 1/4	40 - 400	20 - 200	25
FM26423232	FM.26 423 232	1 1/4	60 - 600	30 - 300	25

### Standard products table - LoFlow

Product number	Supersedes	Ports (BSPT male)	Flow range	Float material
<b>LF801450</b>	LF.3007E	1/4 - 3/4	1.1 - 8.0 l/min	Acetal
<b>LF802455</b>	LF.3050E	3/4 - 3/4	10 - 50 l/min	Acetal
<b>LF802452</b>	LF.3135E	3/4 - 3/4	20 - 135 l/min	Acetal
<b>LF802454</b>	LF.3720E	3/4 - 3/4	2 - 12 l/sec	S/Steel
<b>LF801451</b>	LF.3021E	1/4 - 3/4	4 - 22 l/min	S/Steel
<b>LF802453</b>	LF.3330E	3/4 - 3/4	1.0 - 5.5 l/sec	S/Steel

### Standard products table

Stainless steel flowmeter for air		Ports BSP	Flow range		Maximum working pressure (bar)
Product number	Supersedes		SCFM	l/sec	
FM26133332	FM.26 133 332	1/4	2 - 20	1 - 10	41
FM26233132	FM.26 233 132	1/2	5 - 50	2 - 25	41
FM26233232	FM.26 233 232	1/2	10 - 110	5 - 50	41
FM26333132	FM.26 333 132	3/4	15 - 125	6 - 60	41
FM26333232	FM.26 333 232	3/4	20 - 225	10 - 100	41
FM26433132	FM.26 433 132	1 1/4	40 - 400	20 - 200	41
FM26433232	FM.26 433 232	1 1/4	60 - 600	30 - 300	41

### Product configurator

Brass flowswitch for air		Ports (BSP)	Flow range SCFM and (l/sec)	Fluid type
Product number				
FS643	2 switches	2231	5 - 50 (2 - 25)	32 Air
FS67A	Intrinsically safe high switch	2232	10 - 110 (5 - 50)	
FS67B	Intrinsically safe low switch	3231	15 - 125 (6 - 60)	
		3232	20 - 225 (10 - 100)	

### Ordering example

Product number	Supersedes
FS643323232	FS.643 323 232

Note 1: Part numbers featured with bold highlighted codes will ensure a 'standard' product selection.

Note 2: Alternate displayed part number selection will require you to contact Parker Filtration for availability.



Filtration website: [www.parker.com/eurofilt](http://www.parker.com/eurofilt)  
 Filtration email: [filtrationinfo@parker.com](mailto:filtrationinfo@parker.com)  
 For further information on other Parker Products,  
 call EPIC free on 00800 27 27 5374

Brochure Ref: FDHB347UK  
 Hydraulic Filter Division Europe

© Copyright 2007  
 Parker Hannifin Corporation  
 All rights reserved.

## X-ON Electronics

Largest Supplier of Electrical and Electronic Components

*Click to view similar products for [united chemicon](#) manufacturer:*

Other Similar products are found below :

[APXA200ARA220MF55G](#) [EKMH250VSN682MP30T](#) [E37X401CPN562MF92M](#) [E37F351CPN472MDB7M](#) [E37F421CPN183MFM9M](#)  
[E32D251HPN153MED0M](#) [APXA100ARA560MF55G](#) [EKMM401VNN680MP25T](#) [APXC160ARA820MH70G](#) [LXY35VB681M12X25LL](#)  
[ESMH250VNN473MA63T](#) [ESMH451VND102MB63T](#) [ESMQ201VSN821MQ30S](#) [82DA333M050MG2D](#) [APSC6R3ETD471MH08S](#)  
[APXH2R5ARA102MJ80G](#) [APXH4R0ARA151MF60G](#) [APXH4R0ARA221MH70G](#) [E32D161HPN223MEB7M](#) [E36D101LPN153UEA5N](#)  
[E37F451CPN153MFM9M](#) [E37X351CPN332MDA5M](#) [E37X451CPN222MDA5M](#) [EGPA250ELL182ML20S](#) [EGPA350ELL152MU30S](#)  
[EGPA630ELL821ML30S](#) [EGXE100ELL331MJC5S](#) [EGXE100ELL332ML25S](#) [EGXE250ELL271MJC5S](#) [EGXE250ETD471MJ20S](#)  
[EGXE350ELL220MH12D](#) [EGXE350ELL330MH12D](#) [EGXE351ELL100MJ25S](#) [EGXE500ELL4R7MH12D](#) [EGXL250ELL271MJC5S](#)  
[EKMF350ELL100ME11D](#) [EKMG500EC31R0ME11D](#) [EKMG500EC32R2ME11D](#) [EKMH401VNN391MA40T](#) [EKMS161VSN821MQ30S](#)  
[EKMS181VSN681MP35S](#) [EKMS401VSN181MQ25S](#) [EKXJ161ELL471MMN3S](#) [EKXJ221ELL560MJ30S](#) [EKXJ421ELL270MU20S](#) [EKY-](#)  
[630EC3121MH20D](#) [EKYB101ELL151MJ30S](#) [EKYB800ELL821MLN3S](#) [EKZH160ELL272MK25S](#) [EKZN500ELL821ML20S](#)