

# Dataflow Compact - Inline Flow Transmitter

## Features & Benefits



- Pulse output signal for flows up to 25 l/min.
- Lightweight and robust.
- Operates in any plane. Simple to install.
- Low cost flow measurement.
- Negligible pressure drop.
- Accepts reverse flow.
- 3/8 BSP male connection.
- Water or compatible clear fluids only.
- Ideal for washing machines, showers and vending machines.

## Specification

### Construction:

Body Grilamid – TR55.  
 Rotor 18% PTFE filled nylon.  
 Shaft Stainless steel.  
 Retainers Grilamid TR55.

### Operation:

Infra-red.

**Maximum working pressure:**  
20 bar.

### Pressure drop:

Max 0.1 bar at 15 l/min.

### Flow range:

1 to 25 l/min.  
 (Accepts reverse flow).

### Calibration:

'K' Factor 752 pulses per litre, typical.  
 Subject to application.

### Accuracy:

±2% typical.

### Repeatability:

±1%.

### Temperature range:

+5°C to +70°C.

### Overall dimensions:

52mm x 29mm x 27mm.

### Weight:

16 grams.

### Connections:

3/8 BSP

### Cable length:

300mm.

### Power supply:

5 Vdc.

### Output signal:

5 Vdc - square wave



## Dataflow Compact – The Low Cost Transmitter

The Dataflow Compact Transmitter was designed to offer OEM's and end users alike a means of monitoring low flows on liquids with an electronic output signal – but at LOW COST. Fluid passes through the one piece sensor body impacting on the twin vaned turbine rotor, causing it to rotate at a speed proportional to the flow rate. Two opposing photo-transistors are mounted either side of the rotor and externally of the clear sensor body, these generate a continuous signal.

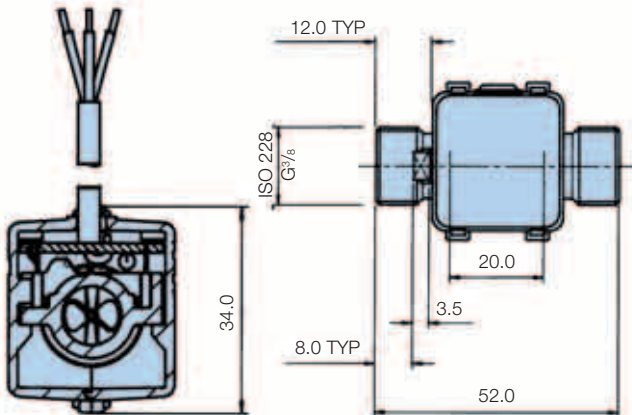
As the rotor spins each blade obscures the infra red signal. This is then converted into an industry standard pulse output signal – compatible with inexpensive display units for flow rate, totalising, batch control and large, central control systems. The lightweight Grilamid body with its virtually unrestricted flow path, offers negligible pressure drop for flows up to 25 l/min and withstanding pressures up to 20 bar.

## Flow Rate • Totalising • Batch Control and applications in many industries

Dataflow Compact Transmitters are small and very robust having been developed and tested extensively in industry applications where space is a restriction. Dataflow Compact with its Grilamid body and BSP connections can be installed almost anywhere and once installed will give accurate and reliable output signalling.

## Installation Details

Red wire +5V supply  
 Green wire Output signal  
 Blue wire 0V supply



## Ordering Information

### Standard products table

Product number	Supersedes	Description
<b>DFC9000100</b>	DFC.9000100	Dataflow compact transmitter

Note 1: Part numbers featured with bold highlighted codes will ensure a 'standard' product selection.

Note 2: Alternate displayed part number selection will require you to contact Parker Filtration for availability.

## X-ON Electronics

Largest Supplier of Electrical and Electronic Components

*Click to view similar products for [united chemicon](#) manufacturer:*

Other Similar products are found below :

[APXA200ARA220MF55G](#) [EKMH250VSN682MP30T](#) [E37X401CPN562MF92M](#) [E37F351CPN472MDB7M](#) [E37F421CPN183MFM9M](#)  
[E32D251HPN153MED0M](#) [APXA100ARA560MF55G](#) [EKMM401VNN680MP25T](#) [APXC160ARA820MH70G](#) [LXY35VB681M12X25LL](#)  
[ESMH250VNN473MA63T](#) [ESMH451VND102MB63T](#) [ESMQ201VSN821MQ30S](#) [82DA333M050MG2D](#) [APSC6R3ETD471MH08S](#)  
[APXH2R5ARA102MJ80G](#) [APXH4R0ARA151MF60G](#) [APXH4R0ARA221MH70G](#) [E32D161HPN223MEB7M](#) [E36D101LPN153UEA5N](#)  
[E37F451CPN153MFM9M](#) [E37X351CPN332MDA5M](#) [E37X451CPN222MDA5M](#) [EGPA250ELL182ML20S](#) [EGPA350ELL152MU30S](#)  
[EGPA630ELL821ML30S](#) [EGXE100ELL331MJC5S](#) [EGXE100ELL332ML25S](#) [EGXE250ELL271MJC5S](#) [EGXE250ETD471MJ20S](#)  
[EGXE350ELL220MH12D](#) [EGXE350ELL330MH12D](#) [EGXE351ELL100MJ25S](#) [EGXE500ELL4R7MH12D](#) [EGXL250ELL271MJC5S](#)  
[EKMF350ELL100ME11D](#) [EKMG500EC31R0ME11D](#) [EKMG500EC32R2ME11D](#) [EKMH401VNN391MA40T](#) [EKMS161VSN821MQ30S](#)  
[EKMS181VSN681MP35S](#) [EKMS401VSN181MQ25S](#) [EKXJ161ELL471MMN3S](#) [EKXJ221ELL560MJ30S](#) [EKXJ421ELL270MU20S](#) [EKY-](#)  
[630EC3121MH20D](#) [EKYB101ELL151MJ30S](#) [EKYB800ELL821MLN3S](#) [EKZH160ELL272MK25S](#) [EKZN500ELL821ML20S](#)