



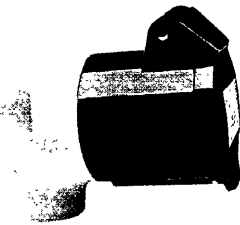
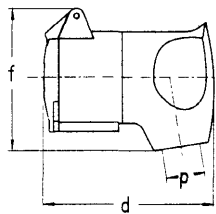
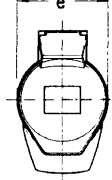

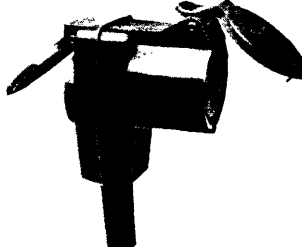
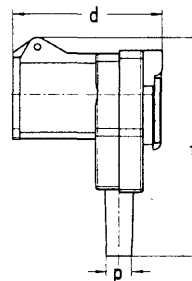
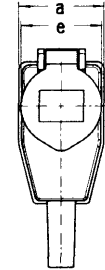


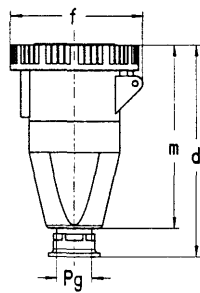
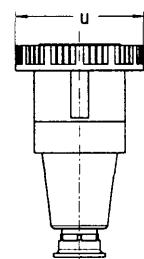




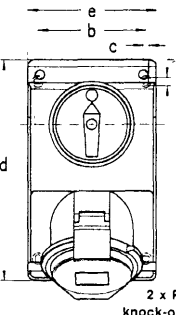

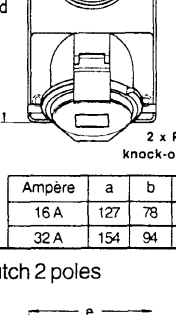


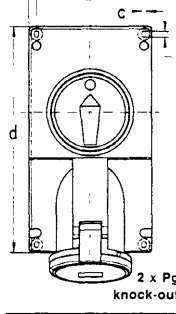


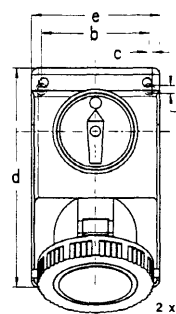

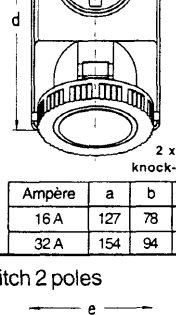


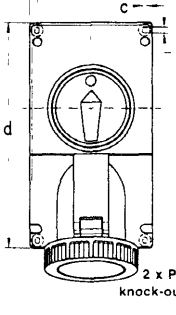


716 6321

Amp	Volt	Hz	IP Ident. colour + h	Part No	Couplers	2 P +  IEC/EN 60 309	 	EAN No. 4015609...																														
<p></p>					<p>mondo angled coupler, RAL 7035 light grey</p>																																	
16	230	50/60	6	316 306	  	<table border="1"> <thead> <tr> <th>Ampère</th> <th>d</th> <th>e</th> <th>f</th> <th>p</th> </tr> </thead> <tbody> <tr> <td>16 A</td> <td>95</td> <td>50,3</td> <td>80</td> <td>8/13</td> </tr> </tbody> </table>	Ampère	d	e	f	p	16 A	95	50,3	80	8/13	10 138	016310 016303 016327																				
	Ampère	d	e	f			p																															
	16 A	95	50,3	80			8/13																															
110	50/60	4	316 304																																			
400	50/60	9	316 309																																			
<p></p>					<p>angled coupler, with Schuko socket outlet on reverse side</p>																																	
16	230	50/60	6	317 306	  	<table border="1"> <thead> <tr> <th>Ampère</th> <th>a</th> <th>d</th> <th>e</th> <th>f</th> <th>Øp</th> </tr> </thead> <tbody> <tr> <td>16 A</td> <td>54</td> <td>87</td> <td>49,5</td> <td>140</td> <td>7/13</td> </tr> </tbody> </table>	Ampère	a	d	e	f	Øp	16 A	54	87	49,5	140	7/13	10 152	016341																		
			Ampère	a			d	e	f	Øp																												
			16 A	54			87	49,5	140	7/13																												
4																																						
9																																						
<p></p>					<p>gland entry</p>																																	
16	230	50/60	6	319 306	  	<table border="1"> <thead> <tr> <th>Ampere</th> <th>d</th> <th>f</th> <th>m</th> <th>u</th> <th>Pg</th> </tr> </thead> <tbody> <tr> <td>16 A</td> <td>136</td> <td>78</td> <td>121</td> <td>72</td> <td>13,5</td> </tr> <tr> <td>32 A</td> <td>170</td> <td>96</td> <td>149</td> <td>96</td> <td>21</td> </tr> <tr> <td>63 A</td> <td>255</td> <td>117</td> <td>206</td> <td>110</td> <td>36</td> </tr> <tr> <td>125 A</td> <td>332</td> <td>130</td> <td>275</td> <td>130</td> <td>48</td> </tr> </tbody> </table>	Ampere	d	f	m	u	Pg	16 A	136	78	121	72	13,5	32 A	170	96	149	96	21	63 A	255	117	206	110	36	125 A	332	130	275	130	48	10 172	016372 016365 016389
			Ampere	d			f	m	u	Pg																												
			16 A	136			78	121	72	13,5																												
32 A	170	96	149	96	21																																	
63 A	255	117	206	110	36																																	
125 A	332	130	275	130	48																																	
4																																						
9																																						
32	230	50/60	6	339 306			10 308	017294 017287 017300																														
			4																																			
			9																																			
63	230	50/60	6	369 306			5 758	017874 017867 017881																														
			4																																			
			9																																			
125	230	50/60	6	379 306			2 1362	018055 018048 160730																														
			4																																			
			9																																			
<p>with Multi Contact</p>																																						

Amp	Volt	Hz	IP Ident. colour + h	Part No.	Wall socket outlets with switch	2 P + 	IEC/EN 60 309	 g	EAN No. 4015609...	
					with double interlocking, switch 2 poles					
16	230	50/60	6	531 23 16				1	039562 039555 039579	
	110	50/60	4	531 23 14						
	400	50/60	9	531 23 19						
32	230	50/60	6	531 23 36				1	039609 039593 039616	
	110	50/60	4	531 23 34						
	400	50/60	9	531 23 39						
					with double interlocking, switch 2 poles					
					with double interlocking, switch 2 poles					
63	230	50/60	6	531 23 66				1	039630 039623 039647	
	110	50/60	4	531 23 64						
	400	50/60	9	531 23 69						
					with double interlocking, switch 2 poles					
					with double interlocking, switch 2 poles					
16	230	50/60	6	531 33 16				1	039944 133116 166251	
	110	50/60	4	531 33 14						
	400	50/60	9	531 33 19						
32	230	50/60	6	531 33 36				1	134267 166268 166275	
	110	50/60	4	531 33 34						
	400	50/60	9	531 33 39						
					with double interlocking, switch 2 poles					
					with double interlocking, switch 2 poles					
63	230	50/60	6	531 33 66				1	174034 039951 166282	
	110	50/60	4	531 33 64						
	400	50/60	9	531 33 69						

Ampère	a	b	c	d	e	f	n	v	Pg
16 A	127	78	4,5	166	97	125	185	7	16
32 A	154	94	4,5	193	113	148	215	7	21

Ampère	a	b	c	d	e	f	n	v	Pg
63 A	245	125	5,2	263	143	172	293	7	29

Ampère	a	b	c	d	e	f	n	v	Pg
16 A	127	78	4,5	166	97	132	185	7	16
32 A	154	94	4,5	193	113	154	215	7	21

Ampère	a	b	c	d	e	f	n	v	Pg
63 A	245	125	5,2	265	143	180	300	7	29

X-ON Electronics

Largest Supplier of Electrical and Electronic Components

Click to view similar products for [walther](#) manufacturer:

Other Similar products are found below :

[339306](#) [269306](#) [239](#) [630406](#) [330](#) [10110](#) [269](#) [430304](#) [130406](#) [630306](#) [410](#) [319306](#) [10280](#) [630](#) [10380](#) [410306](#) [610304](#) [10400](#) [210304](#)
[310306](#) [410304](#) [330304](#) [230304](#) [230306](#)