

POK KLIPPON POK 122209

Weidmüller Interface GmbH & Co. KG
 Klingenbergstraße 16
 D-32758 Detmold
 Germany
 Fon: +49 5231 14-0
 Fax: +49 5231 14-292083
 www.weidmueller.com



Klippon® POK – polyester enclosure

The glass-fibre reinforced polyester enclosures of the Klippon® POK range offer a high-quality solution for protecting electrical components. These enclosures are ideal wherever corrosion resistance, shock resistance and a high degree of protection are required.

Features:

- glass-fibre reinforced polyester
- 17 sizes
- Two standard colours: grey (similar to RAL 7001) and black (similar to RAL 9011)
- Cover with stainless steel screws in cross-head / slotted design
- Moulded gasket made of silicone or chloroprene
- Fixing holes outside the sealed area
- Mounting directly in the enclosure or using an internal mounting plate
- Direct wall mounting possible using fixing holes or mounting feet
- Fastening thread to attach mounting rails and plates
- Weidmüller can manufacture and supply this enclosure to match customer specifications - fitted with all necessary terminals and cable glands.

General ordering data

Type	KLIPPON POK 122209
Order No.	1305880000
Version	Enclosures, Glass fibre-reinforced polyester, 120 mm, 220 mm, 90 mm
GTIN (EAN)	4050118108316
Qty.	1 pc(s).

POK KLIPPON POK 122209

Weidmüller Interface GmbH & Co. KG
 Klingenbergstraße 16
 D-32758 Detmold
 Germany
 Fon: +49 5231 14-0
 Fax: +49 5231 14-292083
 www.weidmueller.com

Technische Daten

Dimensions and weights

Length	90 mm	Width	220 mm
Height	120 mm	Height of lowest version	90 mm
Depth	90 mm	Mounting dimension - width	204 mm
Mounting dimension - height	82 mm	Net weight	1,094 g

Cable glands, left

M12 (3)	8	M16 (3)	4
M20 (3)	3	M25 (3)	1
M32 (3)	1		

Cable glands, right

M12 (2)	8	M16 (2)	4
M20 (2)	3	M25 (2)	1
M32 (2)	1		

Cable glands, top/bottom

M12	24	M16	14
M20	12	M25	5
M32	4	M40	3

General information

Areas of use	Harbour facilities, Machine construction, Process industry, Transportation	Installation advice	Direct mounting, Mounting straps
Torque for cover screws	2.5 Nm	UL 94 flammability rating	V-0
Material	Glass fibre-reinforced polyester	Seal material	CR
Surface finish	Plastic, untreated, polished	Colour code	RAL 7001
Operating temperature, min.	-40 °C	Operating temperature, max.	100 °C
Impact resistance	7.00 J	Protection degree	IP 66
Enclosure attachment	Installation through the housing rear wall, Fixing lugs	Cover attachment	Slotted/Phillips screws

General information on accessories

Material	Glass fibre-reinforced polyester	Mounting dimension - height	82 mm
Mounting dimension - width	204 mm	Surface finish	Plastic, untreated, polished

horizontal assembly

WDU 10 ZDU 10	1x15	WDU 16 ZDU 16	1x13
WDU 2,5 ZDU 2,5 IDU 2,5	1x31	WDU 4 ZDU 4	1x26
WDU 6 ZDU 6	1x19		

vertical assembly

WDU 2,5 ZDU 2,5 IDU 2,5 (2)	*	WDU 4 ZDU 4 (2)	*
-----------------------------	---	-----------------	---

**POK
KLIPPON POK 122209**

Weidmüller Interface GmbH & Co. KG
Klingenbergstraße 16
D-32758 Detmold
Germany
Fon: +49 5231 14-0
Fax: +49 5231 14-292083
www.weidmueller.com

Technische Daten

Classifications

eClass 6.2 27-18-05-02

Test certificates

Certificate No. (GERMLLOYD) 59992-13

Product information

Descriptive text ordering data	The overview page lists the ambient temperatures. The colours of painted enclosures may vary under certain circumstances.
Descriptive text technical data	The assembly with terminal rails is designed for direct mounting. The assembly with modular terminals gives consideration to a distance of 10 mm from the end of each mounting rail. Order recommendations: TS 35 mounting rail (screw terminal) WDU 2.5 1020000000 / (tension clamp terminal) ZDU 2.5 1608510000 *There are no specified mounting options available for vertical mounting in the enclosure.
Descriptive text accessories	The accessory kits also contain the appropriate mounting materials. For wall mounting with mounting feet please use art. no. 9510910000.

Approvals

Approvals

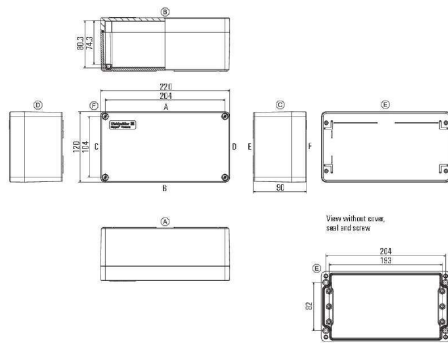


ROHS Conform

**POK
KLIPPON POK 122209**

Weidmüller Interface GmbH & Co. KG
Klingenbergstraße 16
D-32758 Detmold
Germany
Fon: +49 5231 14-0
Fax: +49 5231 14-292083
www.weidmueller.com

Zeichnungen



X-ON Electronics

Largest Supplier of Electrical and Electronic Components

Click to view similar products for [weidmuller](#) manufacturer:

Other Similar products are found below :

[8924550000](#) [56956](#) [0133660000](#) [6720000227](#) [6720005111](#) [68676](#) [69718](#) [EXO24CH](#) [7760056348](#) [7940000218](#) [8005181001](#) [8008180000](#)
[8432240000](#) [8463580000](#) [8545830000](#) [8689870000](#) [8705640000](#) [9001080000](#) [9003720000](#) [9004250000](#) [9004780000](#) [9013260000](#)
[9014100000](#) [9019040000](#) [9026010000](#) [9028630000](#) [903708](#) [9037350000](#) [9046290000](#) [9129643500](#) [913155](#) [9159530000](#) [919656](#) [919764](#)
[9202230000](#) [9202850000](#) [9456750000](#) [9457913000](#) [980811](#) [980826](#) [9912800003](#) [9916080000](#) [9916280012](#) [9918380000](#) [9919371205](#)
[9919371224](#) [9925710000](#) [9927480024](#) [1166660000](#) [11751](#)