

**5x20mm  
Fast-Acting**

# IEC 60127-2/SS 2

DIN 41 661

- FaxBack Document # 202

- Glass tube

Brass caps, nickel-plated

- Approvals:

VDE: File No. 45220/87867

SEMKO: File No. 8746155/9522109

cULUS Recognized: File No. E 67006

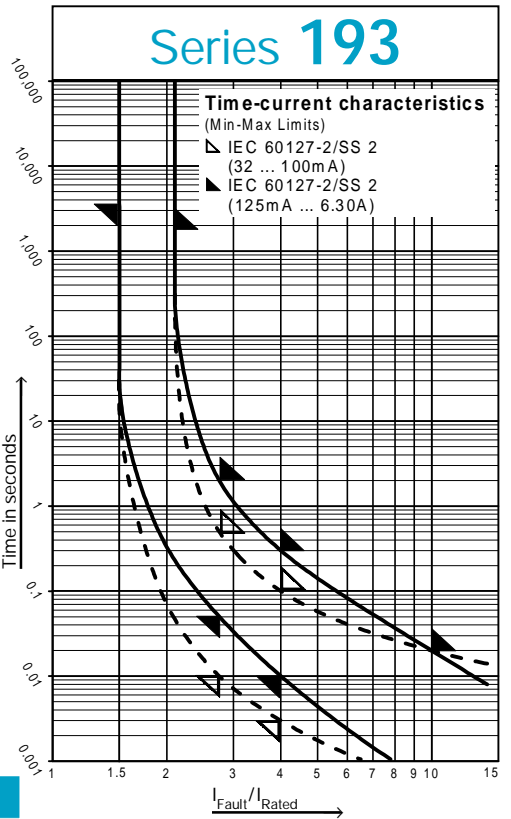
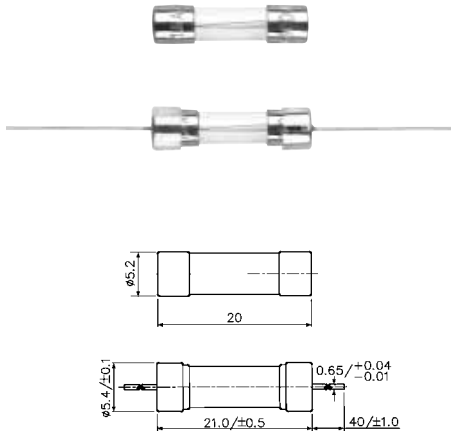
- Packaging:

00: Bulk (1000 pcs. per Box)

02: Pack (10 pcs. per Pack)

40: Axial Leads/Bulk

43: Axial Leads/Tape & Reel  
(1000 pcs. per Reel)




Note: Contact WICKMANN for individual I-t curves

### • Limits for Pre-arcing Time

Rated Current	150%	210%	275%	400%	1000%
32 ... 100mA	> 1h	< 30min	10 ... 500ms	3 ... 100ms	< 20ms
125mA ... 6.30A	> 1h	< 30min	50ms ... 2s	10 ... 300ms	< 20ms

Permissible continuous operating current is  $\leq 100\%$  at ambient temperature of 23°C (73.4°F).

Rated Current / Rated Voltage	Amp Code	Breaking Capacity	Voltage Drop (max) <sup>1</sup> 100% x I <sub>Rated</sub> (mV)	Power Dissipation (max) <sup>1</sup> 150% x I <sub>Rated</sub> (W)	Melting Integral (max) 1000% x I <sub>Rated</sub> (A <sup>2</sup> s) 	Approvals		
						VDE	SEMKO	cULUS
32mA / 250V	0032	L $\cong$ 35A at 250VAC cos $\phi$ = 1.0	10000	1.6	0.002			•
40mA / •	0040		8000	1.6	0.0032			•
50mA / •	0050		7000	1.6	0.005			•
63mA / •	0063		5000	1.6	0.0079			•
80mA / •	0080		4000	1.6	0.0032	•	•	•
100mA / •	0100		3500	1.6	0.007	•	•	•
125mA / •	0125		2000	1.6	0.014	•	•	•
160mA / •	0160		2000	1.6	0.024	•	•	•
200mA / •	0200		1700	1.6	0.018	•	•	•
250mA / •	0250		1400	1.6	0.032	•	•	•
315mA / •	0315		1300	1.6	0.062	•	•	•
400mA / •	0400		1200	1.6	0.13	•	•	•
500mA / •	0500		1000	1.6	0.23	•	•	•
630mA / •	0630		650	1.6	0.44	•	•	•
800mA / •	0800		240	1.6	1	•	•	•
1.00A / •	1100		200	1.6	1.4	•	•	•
1.25A / •	1125		200	1.6	2.7	•	•	•
1.60A / •	1160		190	1.6	4.3	•	•	•
2.00A / •	1200		170	1.6	7.8	•	•	•
2.50A / •	1250		170	1.6	13	•	•	•
3.15A / •	1315	150	2.5	20	•	•	•	
4.00A / •	1400	L $\cong$ 40A ~	130	2.5	21	•	•	•
5.00A / •	1500	L $\cong$ 50A ~	130	2.5	38	•	•	•
6.30A / •	1630	L $\cong$ 63A ~	130	2.5	72	•	•	•

<sup>1</sup> values according to IEC 60127; WICKMANN values may be lower

### • Order Information

Qty.	Order- Number	Series	Amp Code	Packaging
		1 9 3		0

## X-ON Electronics

Largest Supplier of Electrical and Electronic Components

*Click to view similar products for [littelfuse](#) manufacturer:*

Other Similar products are found below :

[V130LA10A](#) [1SMB33AT3G](#) [1SMA24AT3G](#) [59022-3-S-02-F](#) [59022-3-U-02-E](#) [FLEX-14-35-40](#) [SK225RDTP](#) [GTCA28-231M-R05](#)  
[00970019XP](#) [LX5090](#) [0224006.HXUP](#) [740GN](#) [815.650](#) [FLA2.25](#) [FLSR400](#) [FLSR600](#) [900-1535-012RN](#) [901-134](#) [970699013](#) [971-670A-](#)  
[92WCN](#) [153.5631.5601](#) [155100](#) [1.5KE110A-B](#) [1.5KE220A](#) [1.5SMC150CA](#) [BLF006](#) [BLF008](#) [JLLS-250](#) [235.200](#) [901-152C-042RN](#) [920-](#)  
[401X-330BN](#) [282007](#) [LFC600602CID](#) [LFR600303CID](#) [LJCA030.X](#) [SE-GRM024](#) [980-788A-070](#) [FLNR100](#) [FLNR400](#) [FLSR200](#) [211RT](#)  
[224007](#) [225.250](#) [CCMR-2](#) [239002](#) [CG110L](#) [Q6012LH1LED](#) [30KPA150CA-B](#) [R460.375](#) [313.25](#)