

DC Fan Motors

CPU coolers

□ **66×62mm**
SAN ACE MC



Directly cools CPU, integral with a heat sink

General specifications

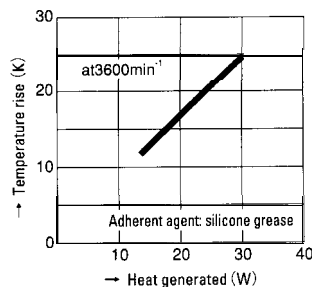
Life expectancy	40,000 hours
	(survival rate: 90% at 60°C, rated voltage, and continuously run in a free air state)
Motor protection system	Current cut system (with reverse-connection protection)
Dielectric strength	50/60 Hz, 500 VAC, 1 minute
	(between input terminal and frame)
Operating thermally range	- 10°C to + 70°C (non-condensing)
Heat resistance	As per Sanyo Denki's measurement method

30mm thick

Specifications

Model No.	Rated voltage (V)	operating voltage range (V)	Rated current (A)	Rated input (W)	Rated rotating speed (min ⁻¹)	Thermal resistance (K/W)	Noise (dB[A])	Mass (g)
109P6605H2026	5	4.5 to 5.5	0.2	1	3,600	0.79	29	126
109P6612H2026	12	7 to 13.8	0.08	0.96				

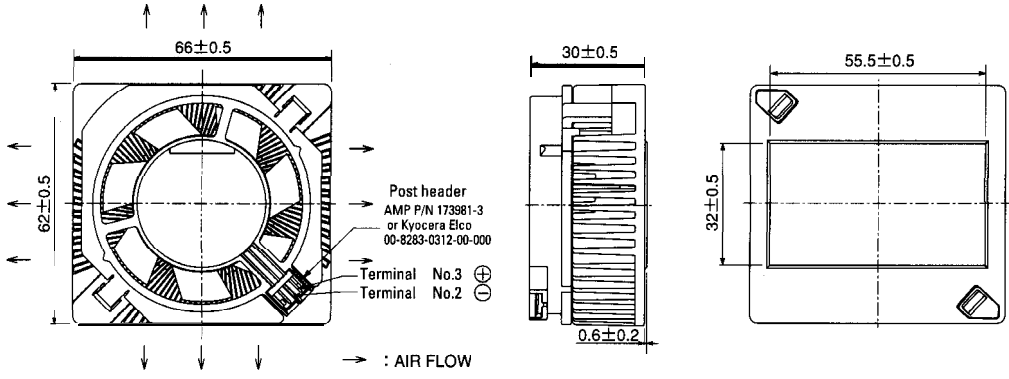
Typical cooling characteristics



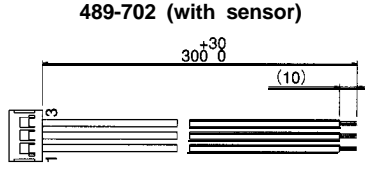
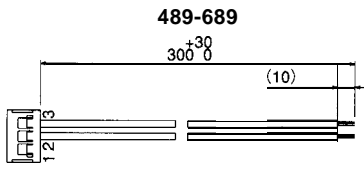
109P6605H2026

109P6612H2026

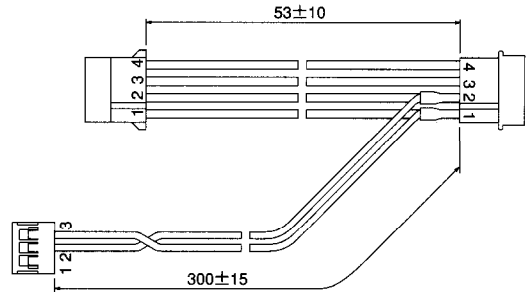
CPU Cooler □ 66×62mm



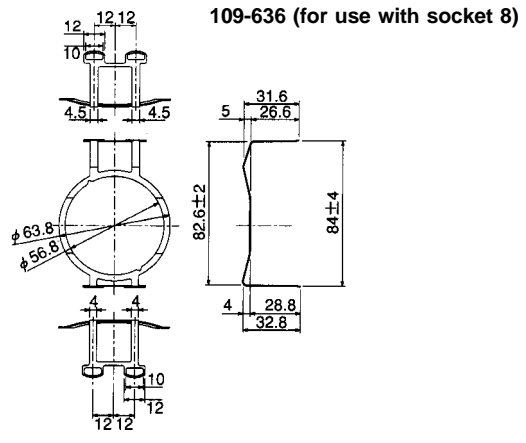
Relay harness



489-868 (only for 12V power supply)



Installation metal fittings (unit : mm)



X-ON Electronics

Largest Supplier of Electrical and Electronic Components

Click to view similar products for [sanyo denki manufacturer](#):

Other Similar products are found below :

[9A0812G401](#) [9A0824H401](#) [9G0824H102](#) [9GA0812P1H61](#) [9GA0812P1S61](#) [9GL1212F101](#) [9GV1412P1G001](#) [9GV3612G301](#)
[9WG1212H102](#) [9WG1224G101](#) [SM2861-5255](#) [9GT0912P1M001](#) [9GV0312E302](#) [9S1212F4011](#) [9SG5748P5H01](#) [489-007-L21](#) [103H5208-5240](#) [103H7126-1740](#) [103H7822-5740](#) [109-1001F13](#) [109-1003M30](#) [109-313](#) [109L1748H501](#) [109L5712H501](#) [109R0824S4D01](#) [109-1069](#)
[109BF24HD2](#) [9L0412H301](#) [9GA0812P1S61P](#) [9G1212P4G03](#) [9G0612P1G03](#) [9CRB0812P8G001](#) [103H8221-5141](#) [103H8223-6340](#)
[9LG1248P1H001](#) [SH1603-5240](#) [9GA0812P1H611](#) [9BD12SC6-1](#) [109P0824H701](#) [109-049C](#) [103H7123-5740](#) [9AH0912P4H03](#)
[9G1224G1D01](#) [9G1224M4D011](#) [9GV0824P1G03](#) [109P0624W602](#) [9WF0924S201](#) [109E1724M501](#) [9GA0848P2S0011](#) [9G1248E1D01](#)