

## PRODUCT DATA SHEET

### P/N 624 478 3 01

Crimping dies for use with following crimping tools and machines



P/N 624 000 6  
P/N 624 000 3



P/N 6370 0100 1

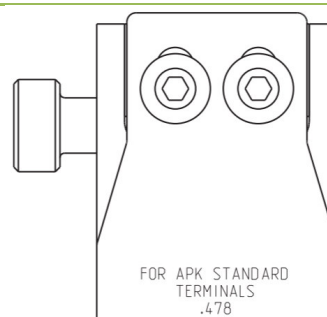
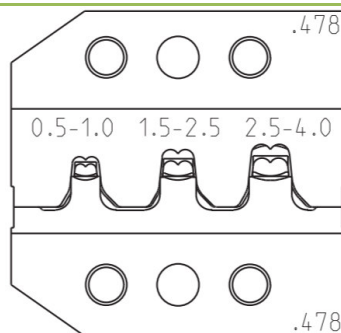


P/N 636 025-1  
P/N 636 025-5  
P/N 636 025-3

Product Description

Die Set 12.478 incl. locator

Product Image



Product range mm<sup>2</sup> or AWG

0,5 – 4,0 mm<sup>2</sup>

Applications

APK Standard / ITT Cannon  
P/N on reel 121668-0000 / P/N Loose 031-8717-020  
Male 0,50 - 1,00mm<sup>2</sup>

APK Standard / ITT Cannon  
P/N on reel 121668-0001 / P/N Loose 031-8717-021  
Male 1,50 - 2,50 mm<sup>2</sup>

APK Standard / ITT Cannon  
P/N on reel 121668-0002 / P/N Loose 031-8717-022  
Male 2,50 - 4,00 mm<sup>2</sup>

APK Standard / ITT Cannon  
P/N on reel 121668-0100031-8717-120  
Female 0,50 - 1,00 mm<sup>2</sup>

APK Standard / ITT Cannon  
P/N on reel 121668-0101 / P/N Loose 031-8717-121  
Female 1,50 - 2,506

APK Standard / ITT Cannon  
P/N on reel 121668-0102 / P/N Loose 031-8717-122  
Female 2,50 - 4,00 mm<sup>2</sup>

## **X-ON Electronics**

Largest Supplier of Electrical and Electronic Components

*Click to view similar products for [remsteig](#) manufacturer:*

Other Similar products are found below :

[9R 457 100 5](#) [624 031 3 0](#) [624 691 3 0](#) [624 050 0 01](#) [6900001](#) [616 006 3 1](#) [636 0723 3 01](#) [636 0733 3 01](#) [707 020](#) [624 479 3 0](#) [624 045 3 0](#)  
[624 032 3 0](#) [9R 430 120 0](#) [430129](#)